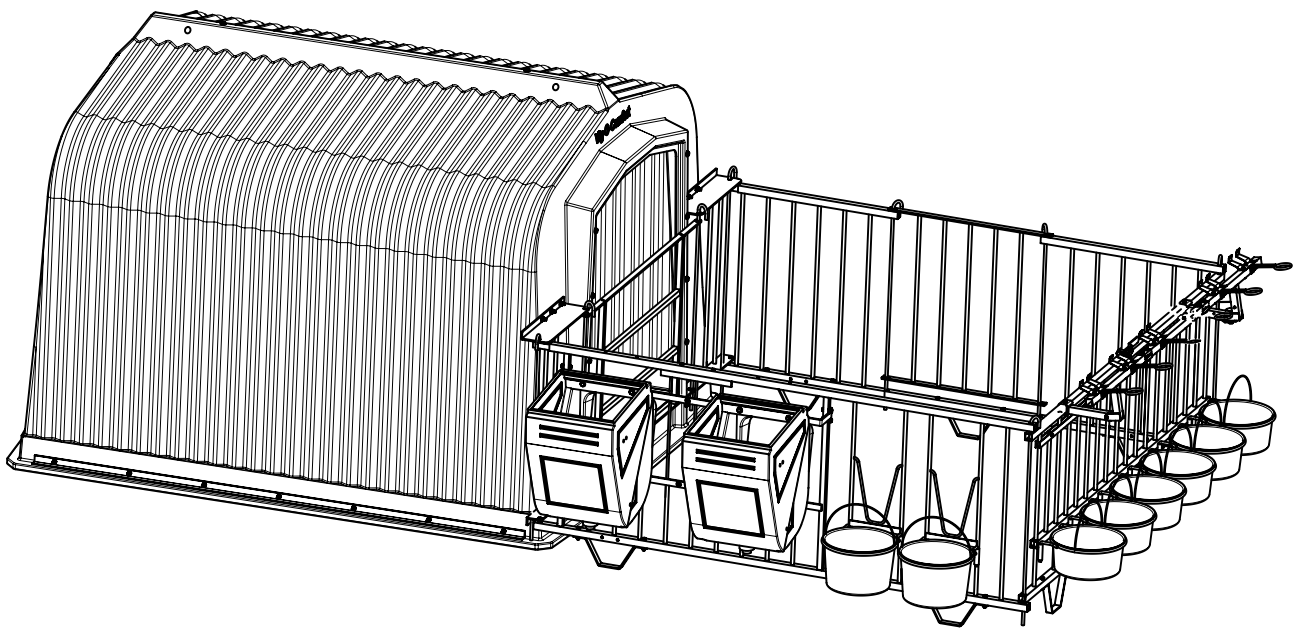
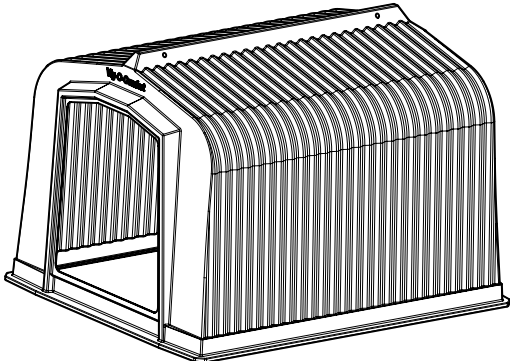
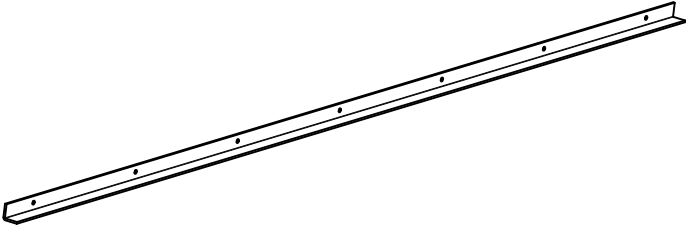
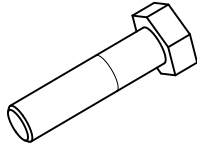
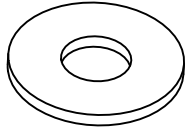
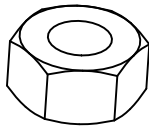
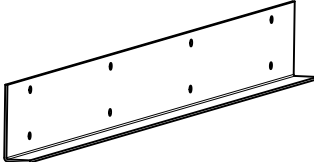
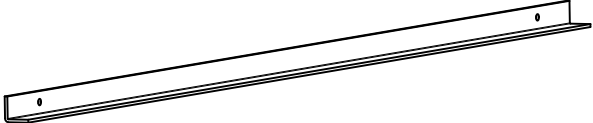
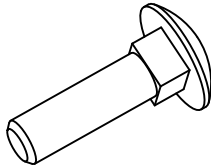


Manual

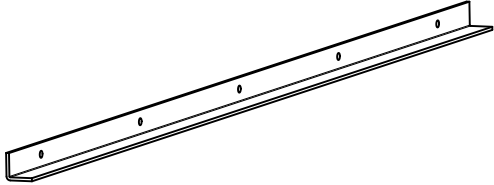
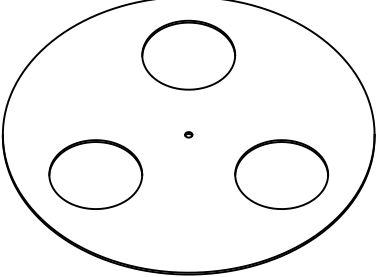
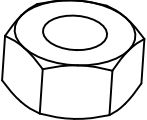
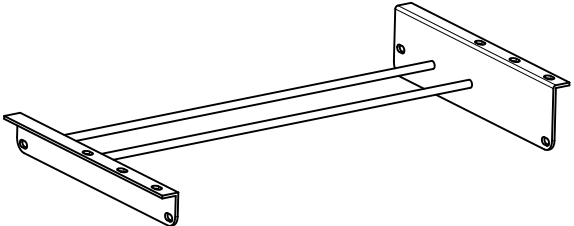
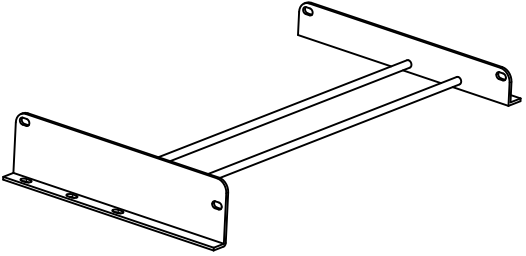
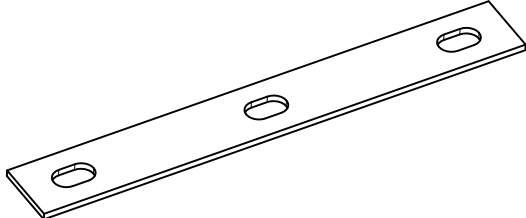
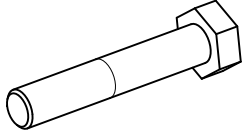
Group hutch - 6



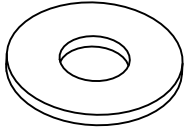
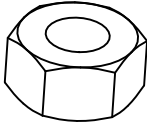
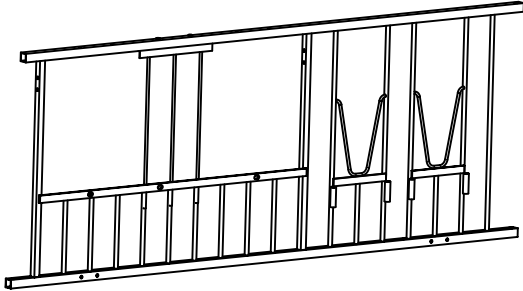
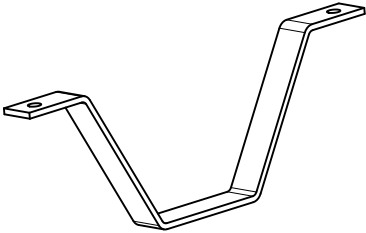
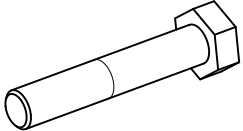
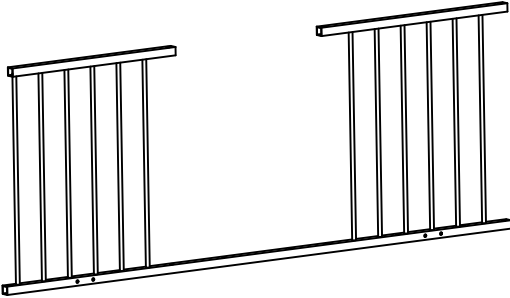
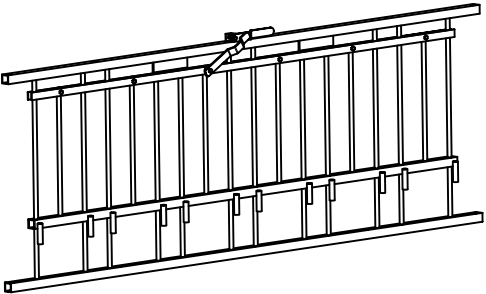
Parts

Nr	Count	Drawing
1	1x	
2	2x	
3	41x	M8 x 30 
4	52x	M8 
5	40x	Nut M8 
6	1x	
7	1x	
8	2x	M8 x 30 

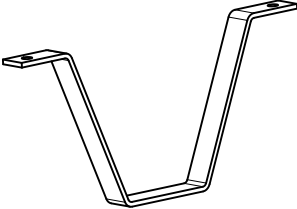
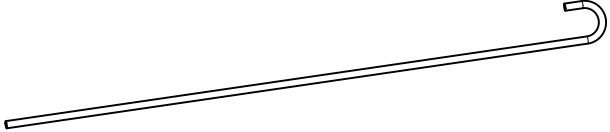
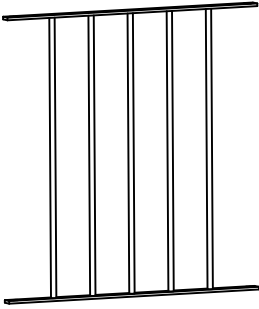
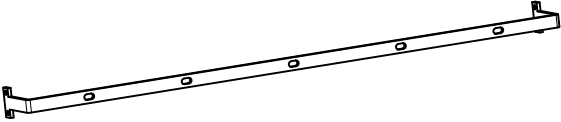
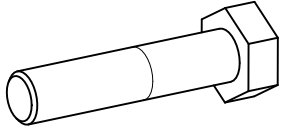
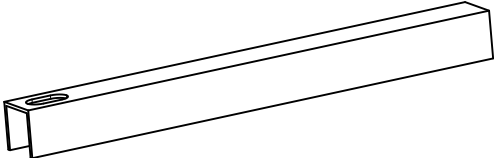
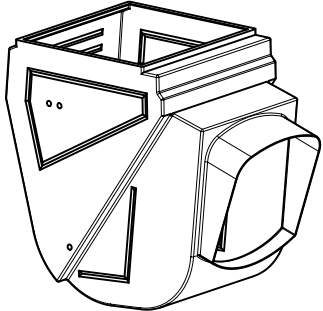
Parts

Nr	Count	Drawing
9	2x	
10	3x	
11	7x	Locknut M8 
12	1x	
13	1x	
14	2x	
15	12x	M10 x 40 

Parts

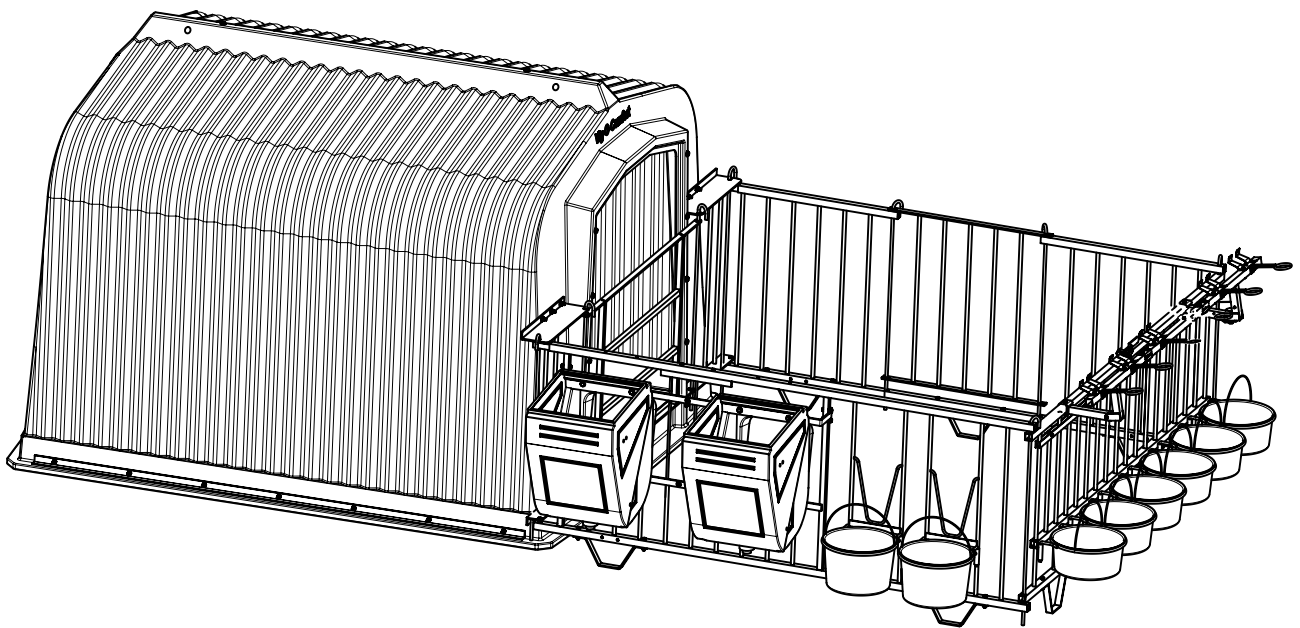
Nr	Count	Drawing
16	24x	M10 
17	28x	Nut M10 
18	1x	
19	5x	
20	16x	M10 x 45 
21	1x	
22	1x	

Parts

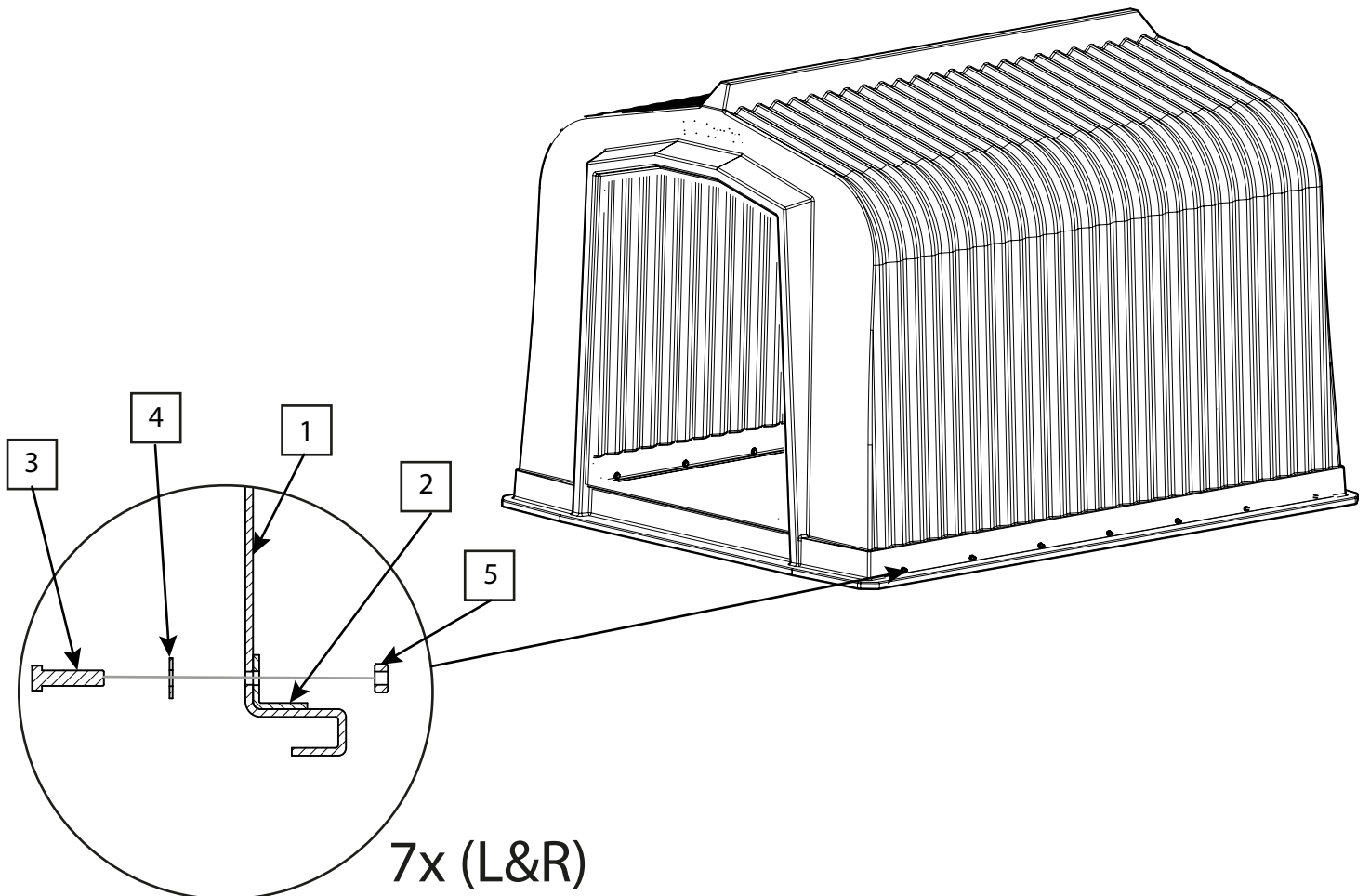
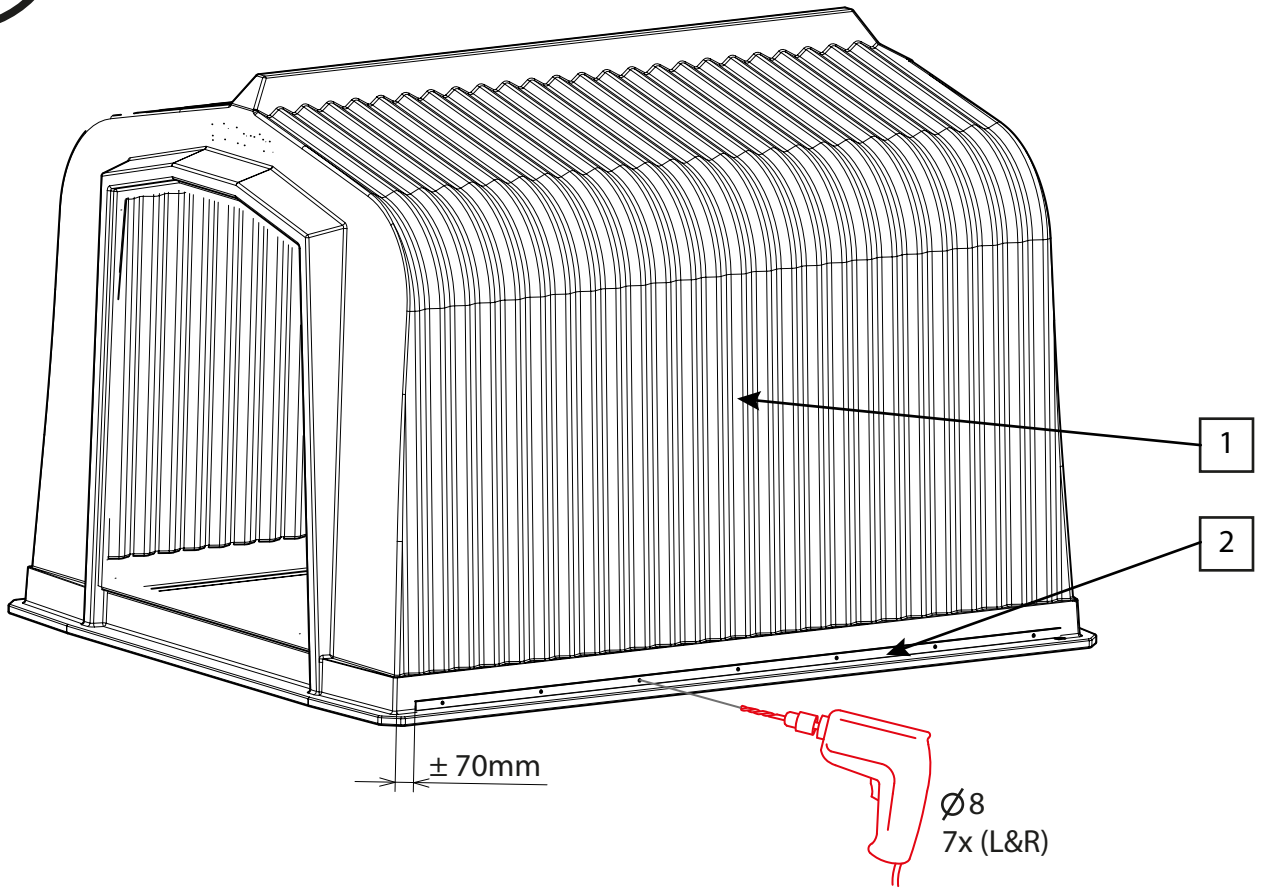
Nr	Count	Drawing
23	2x	
24	8x	
25	1x	
26	1x	
27	4x	M8x45 
28	2x	
29	2x	

Manual

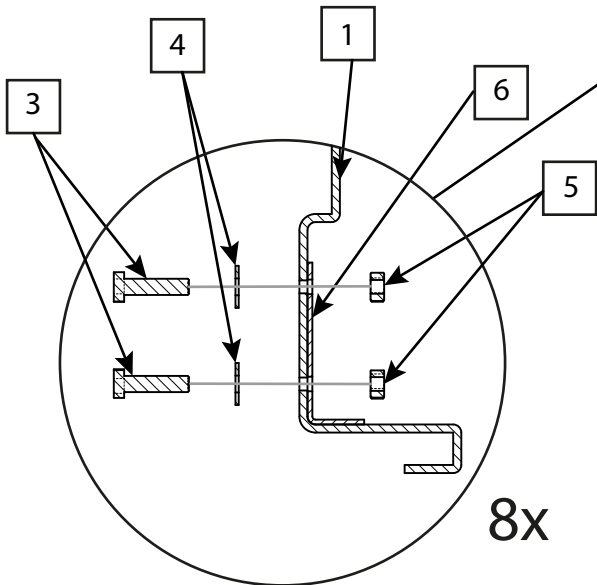
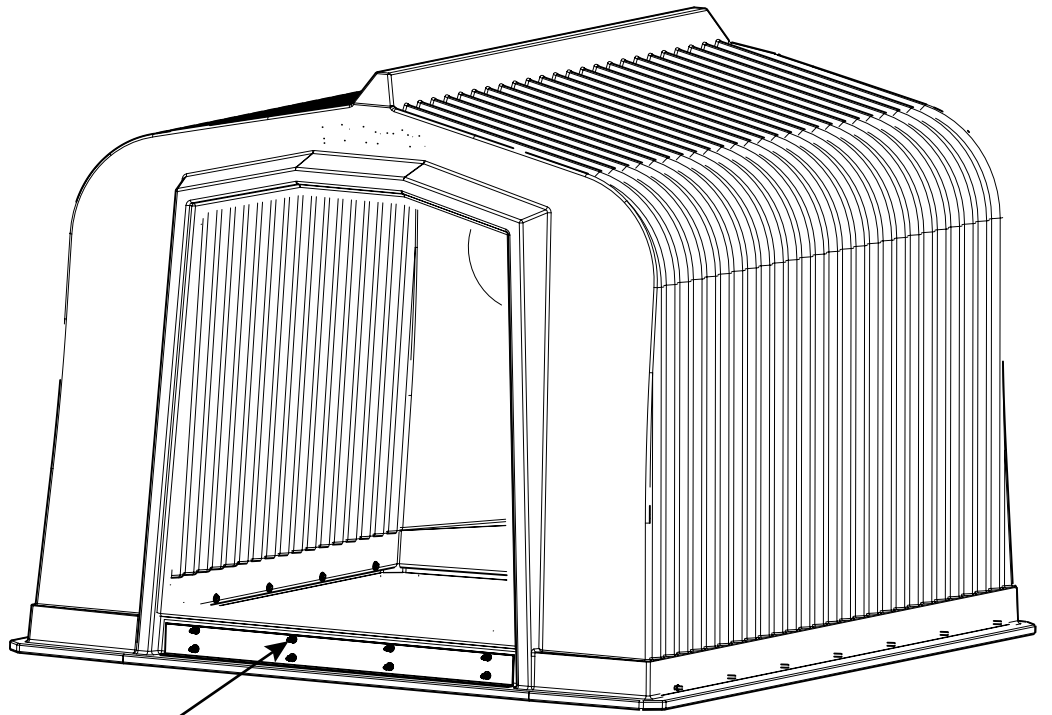
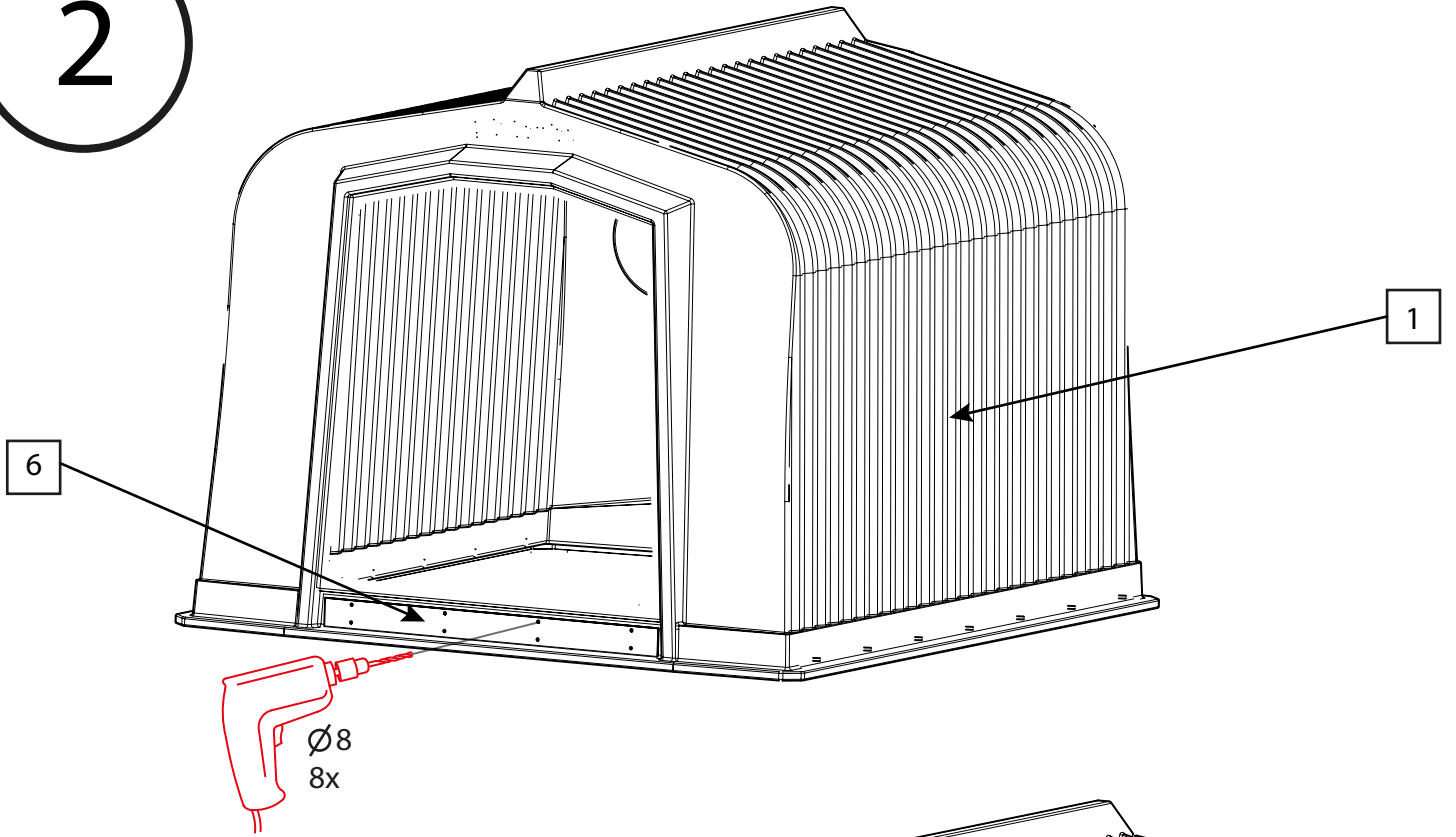
Group hutch - 6



1



2

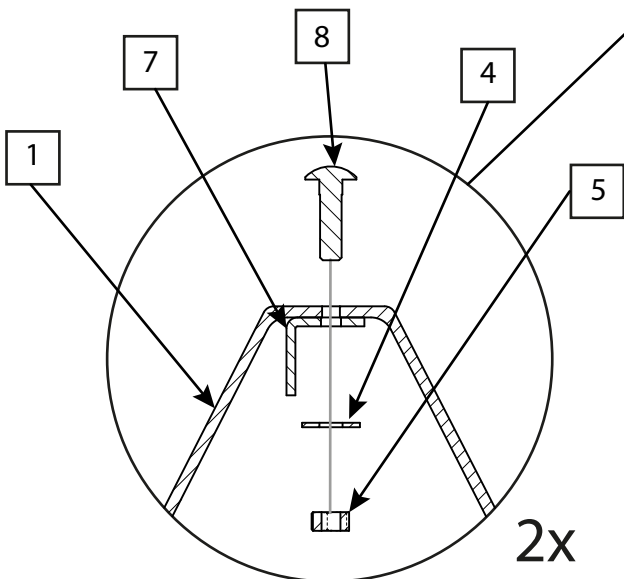
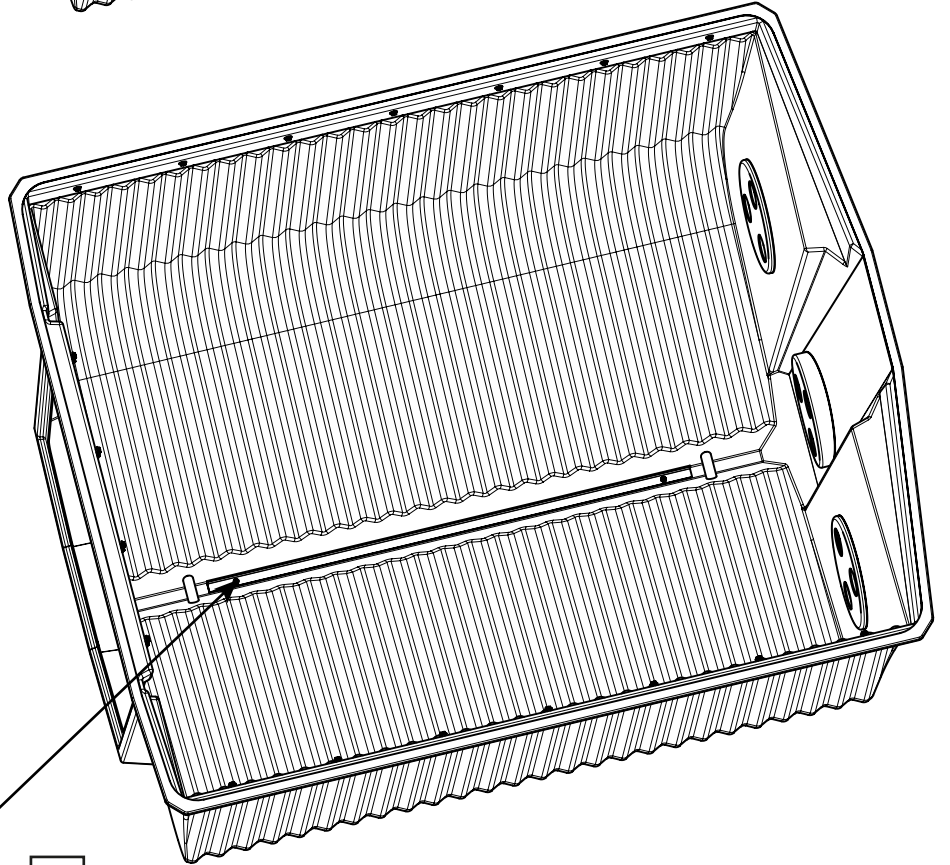
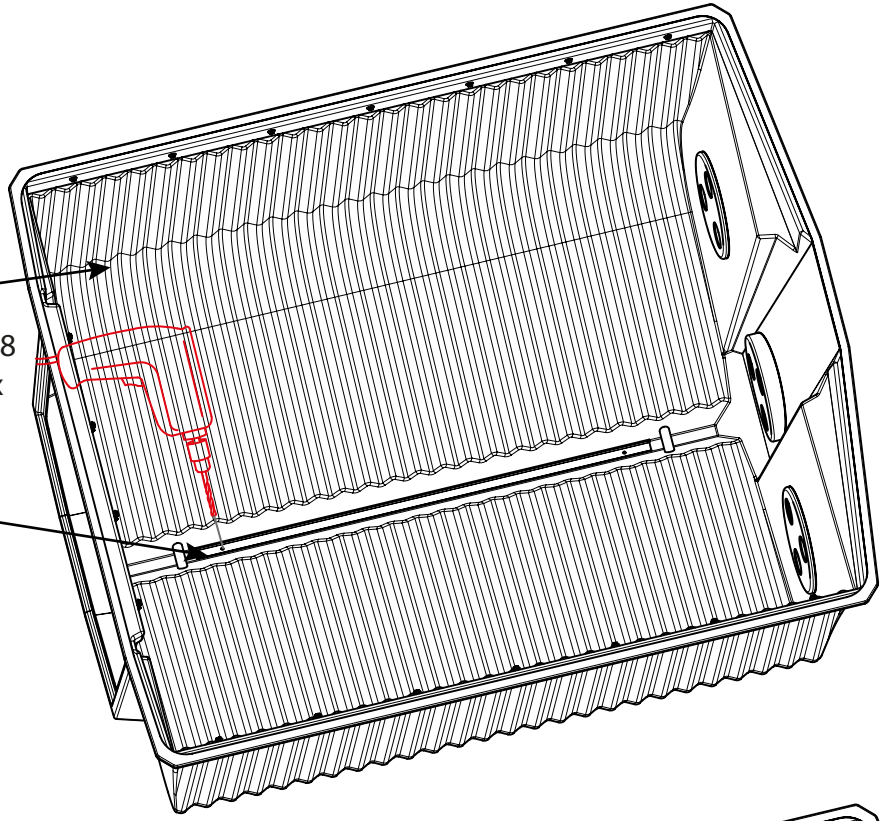


3

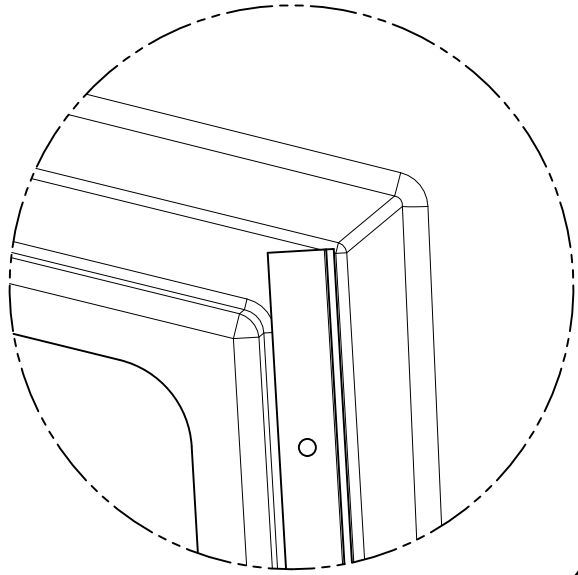
1

7

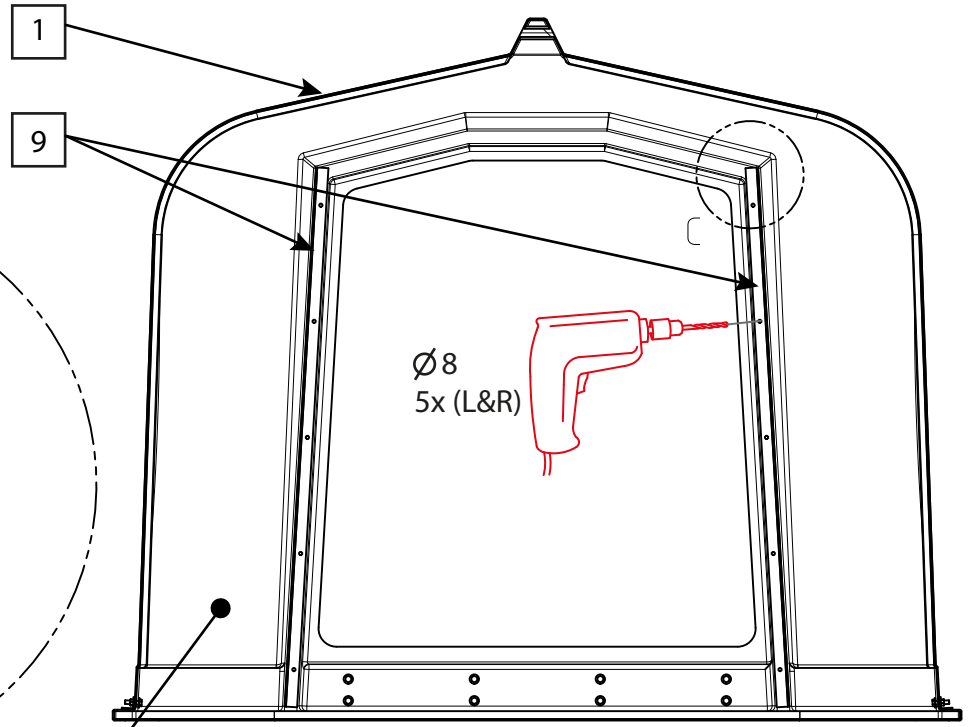
Ø8
2x



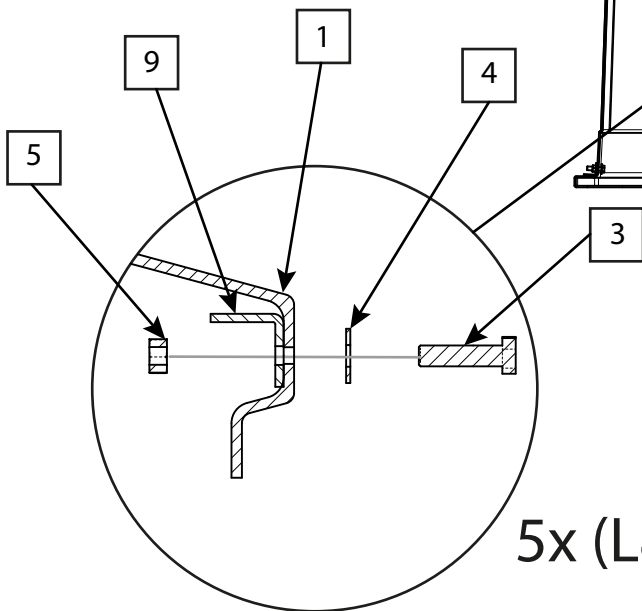
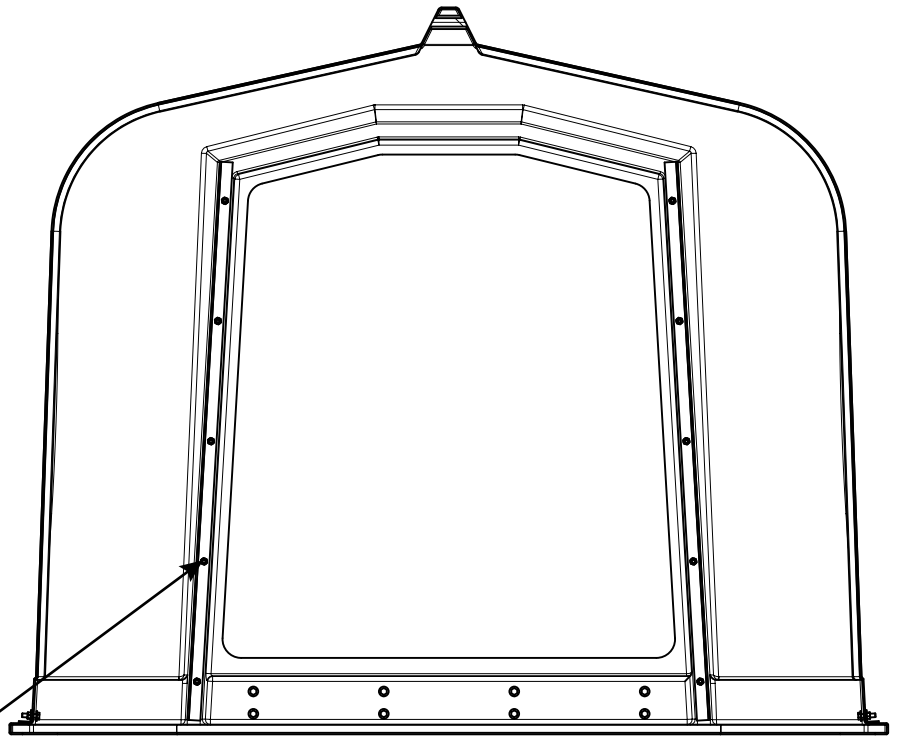
4



DETAIL C

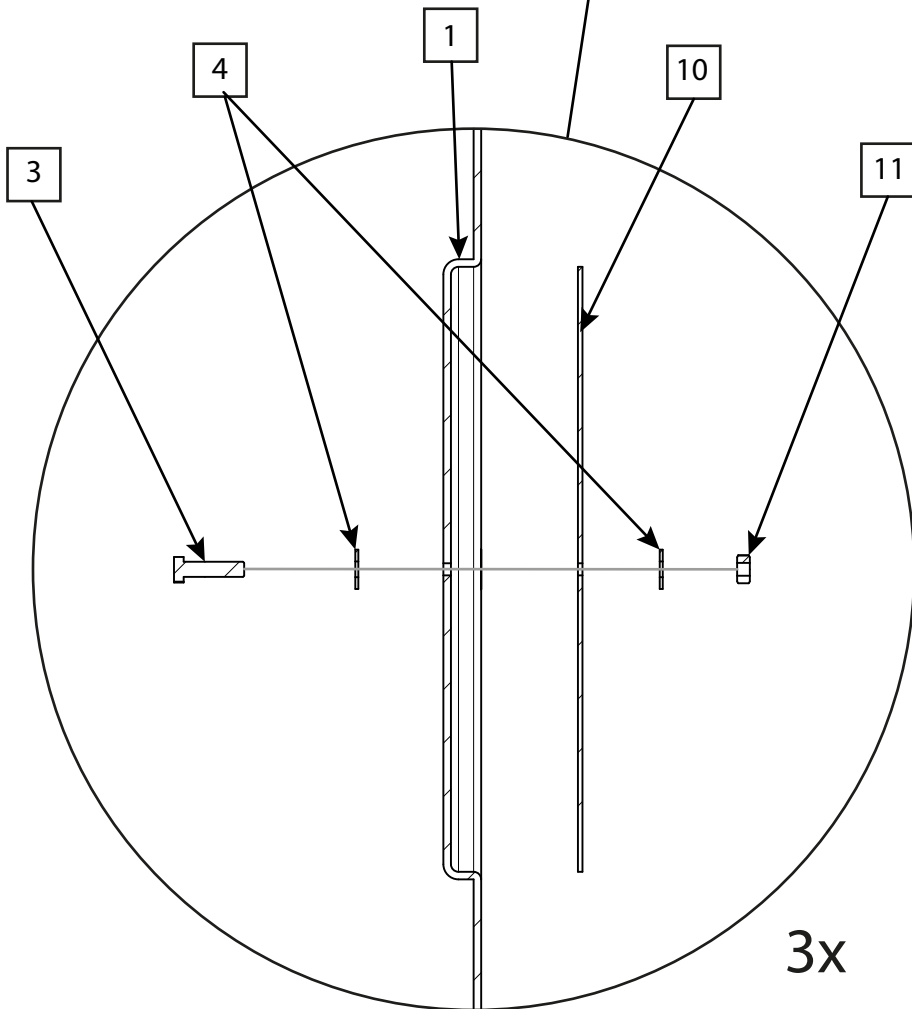
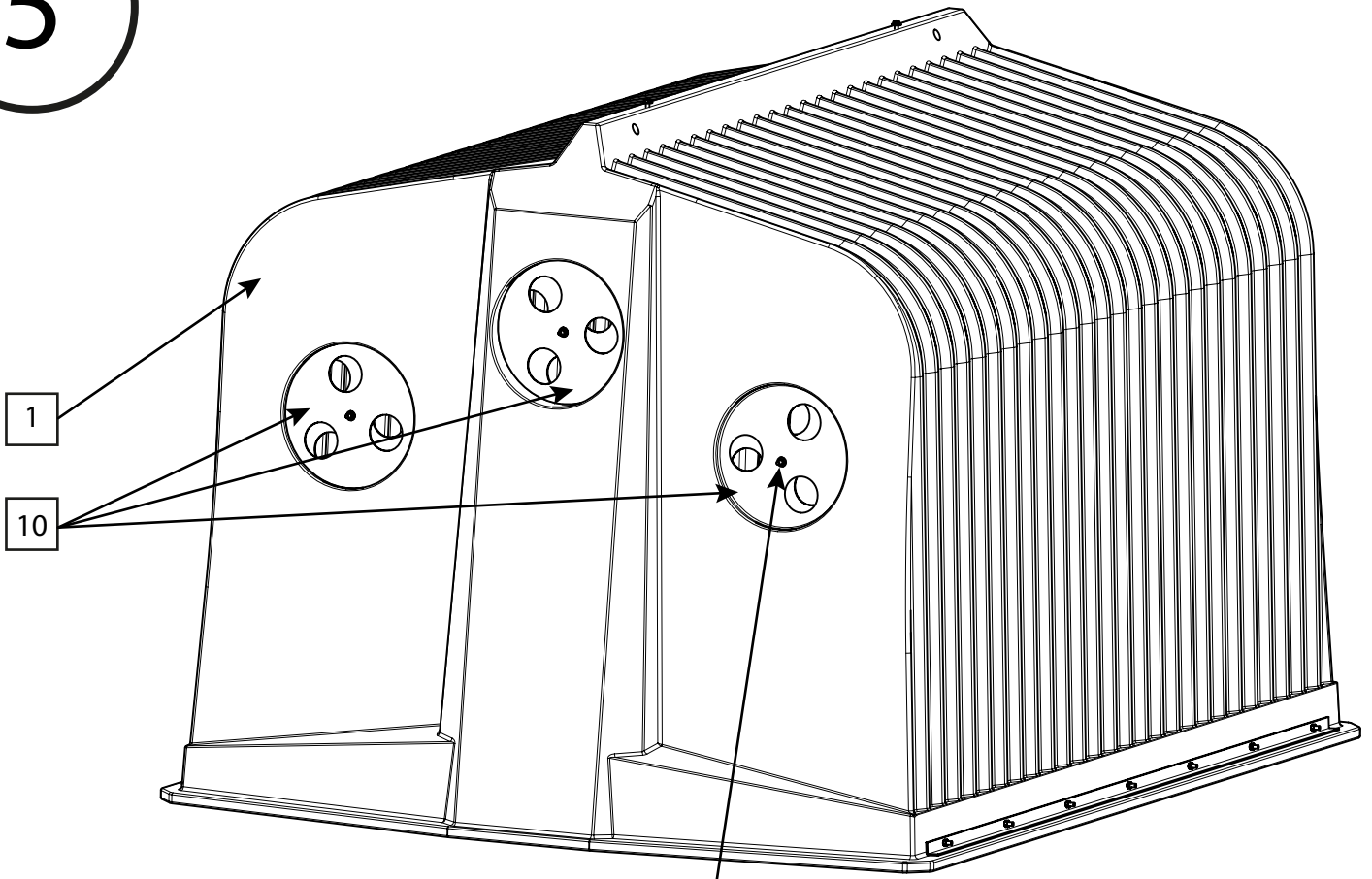


Inside

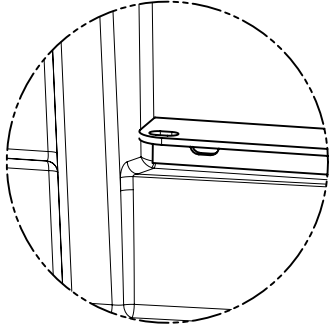
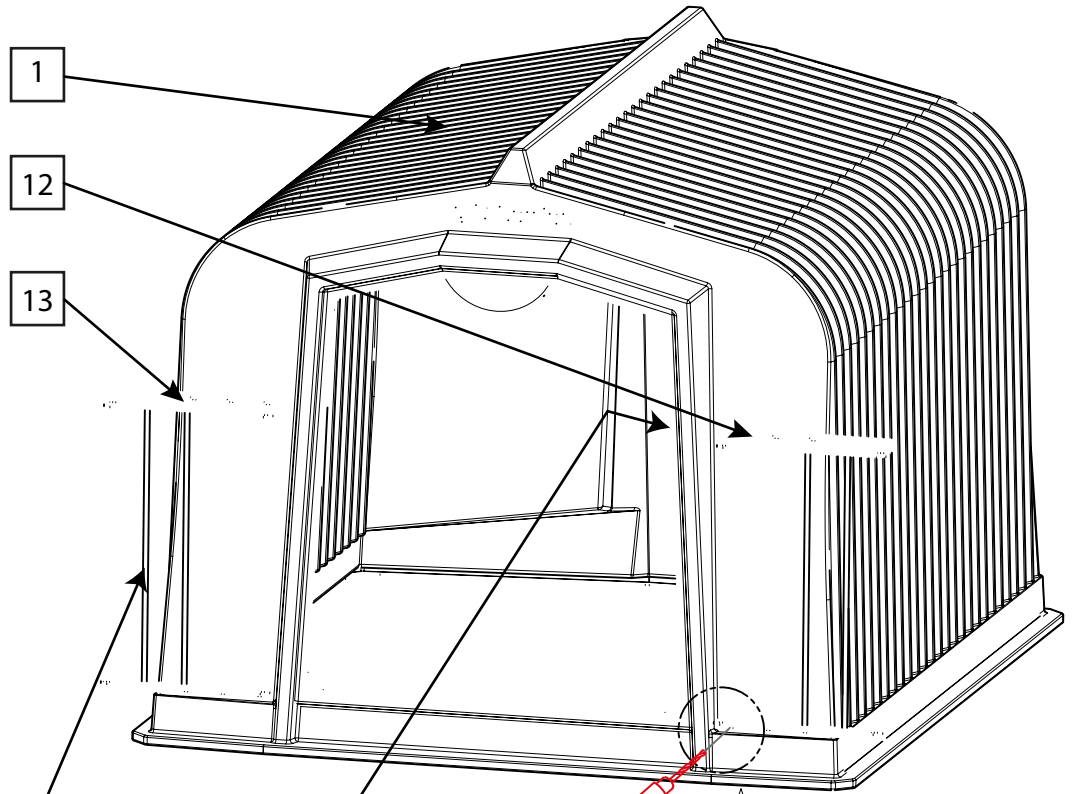


5x (L&R)

5



6

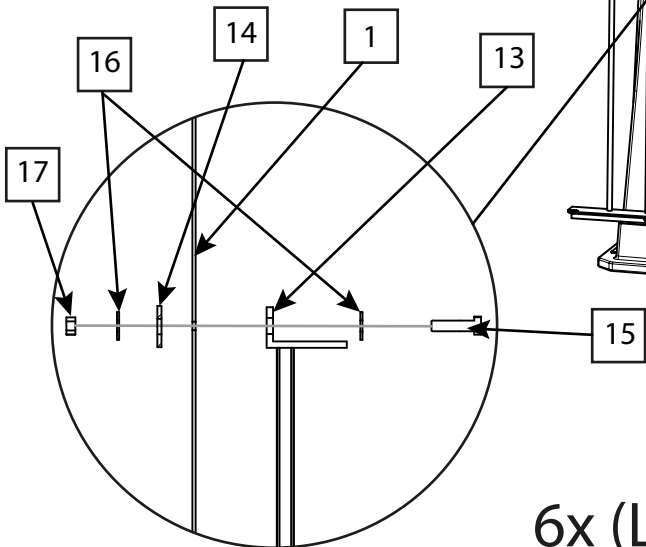
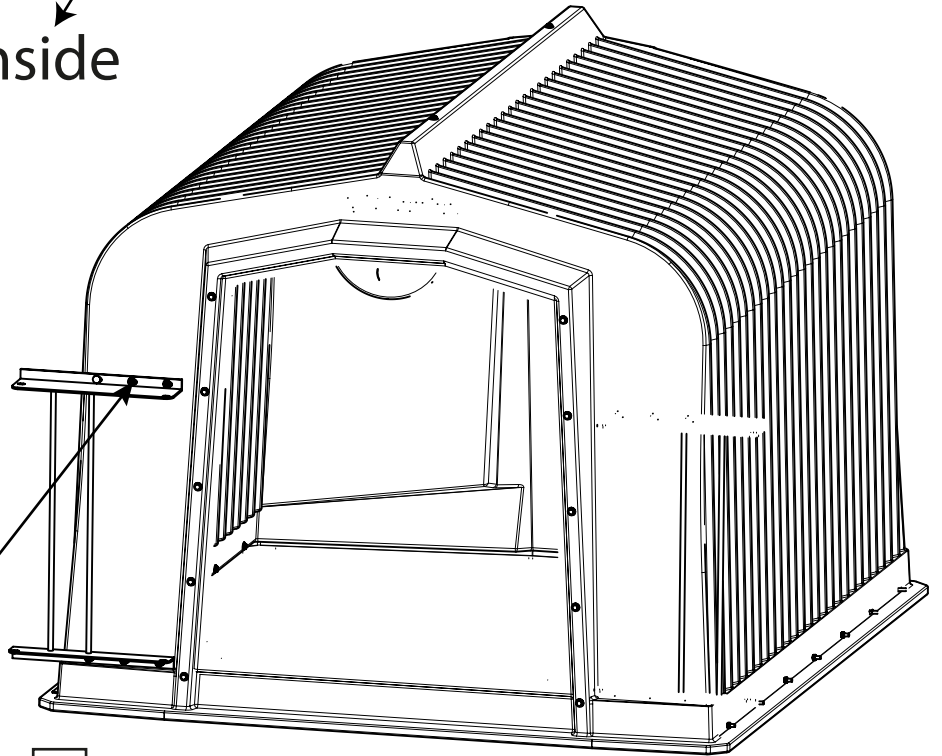


DETAIL A

Vertical

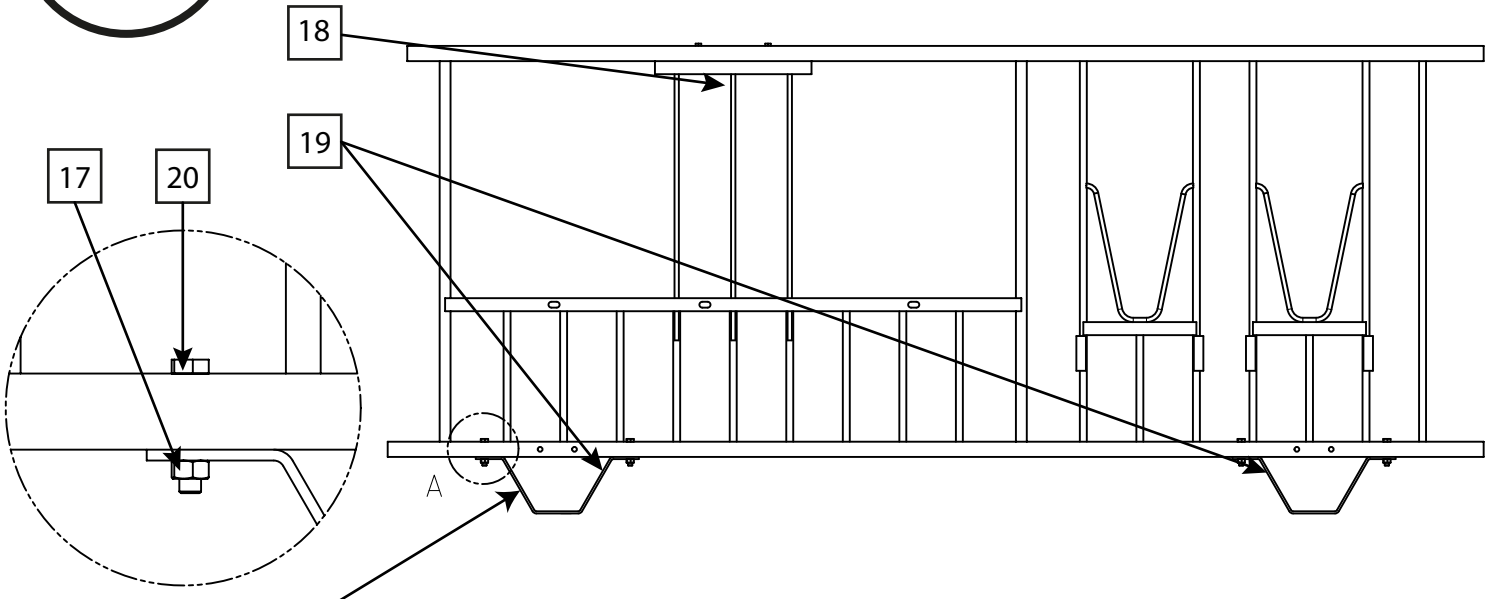
Ø 10
6x (L&R)

Inside



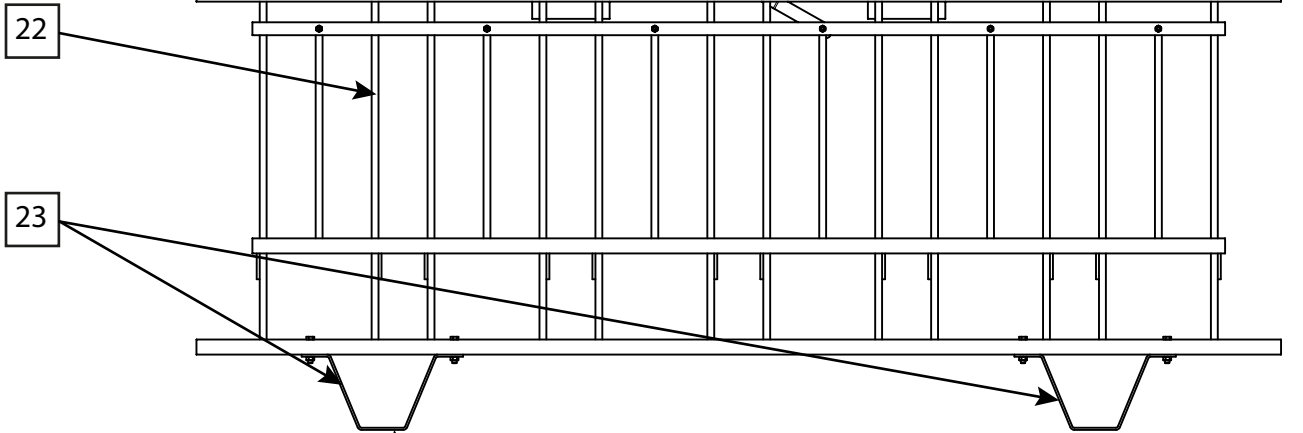
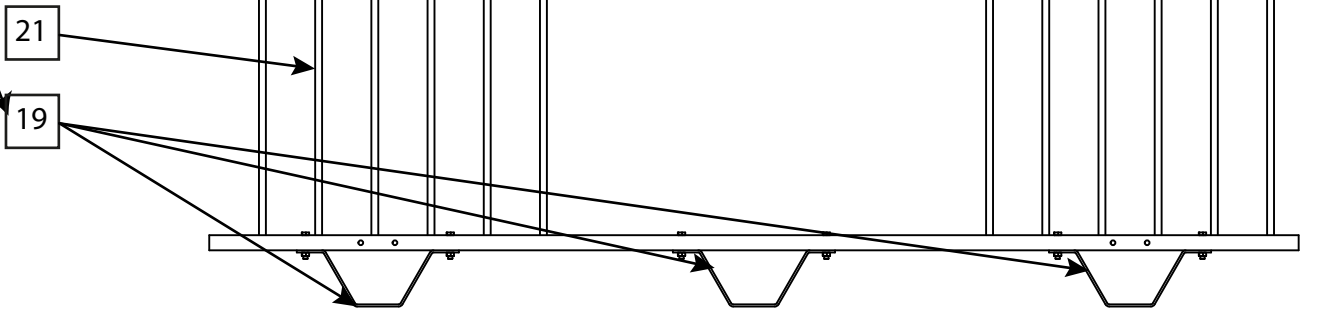
6x (L&R)

7



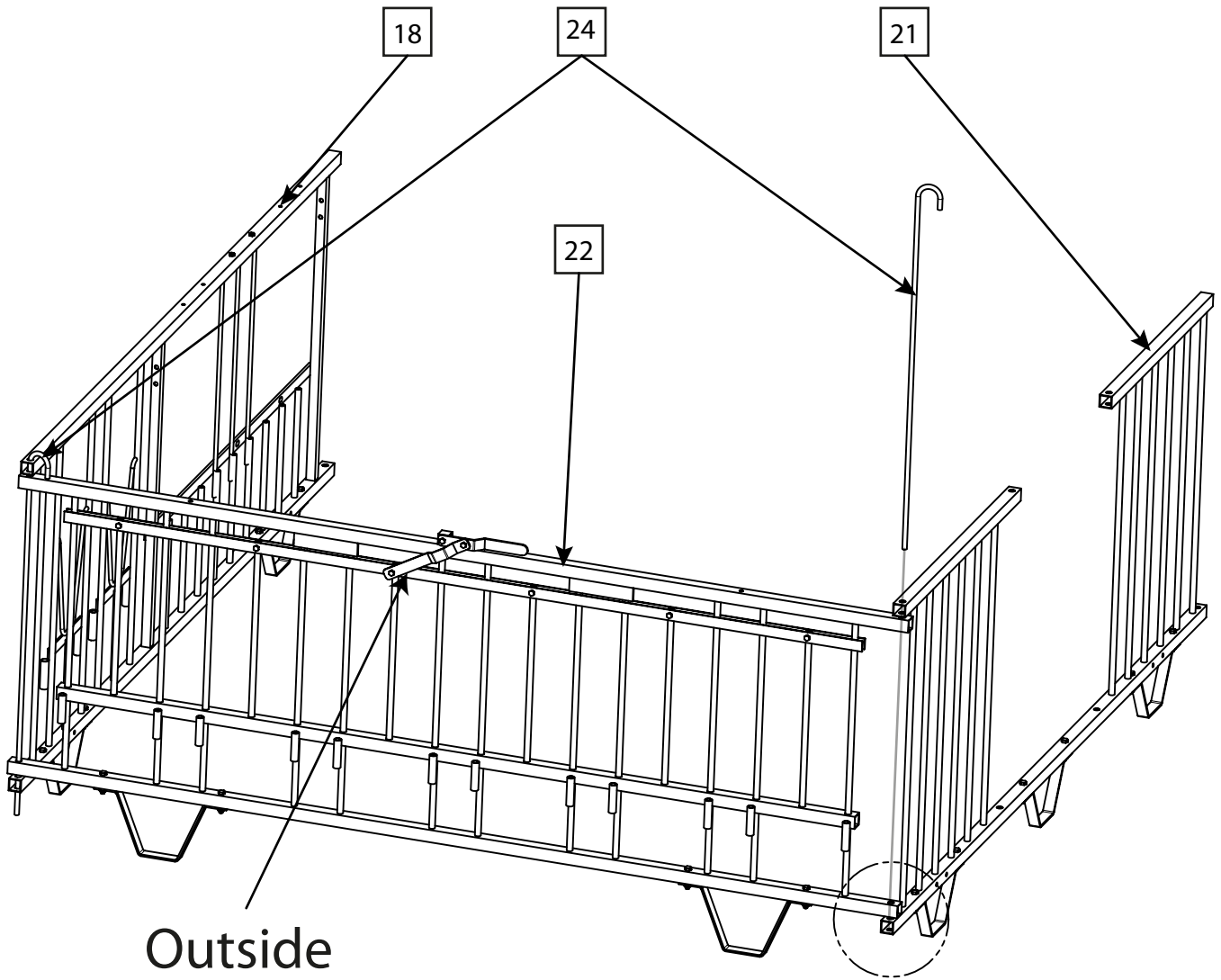
DETAIL A

Low



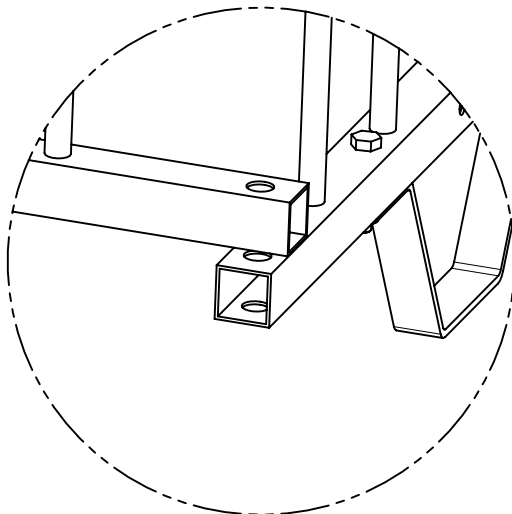
High

8



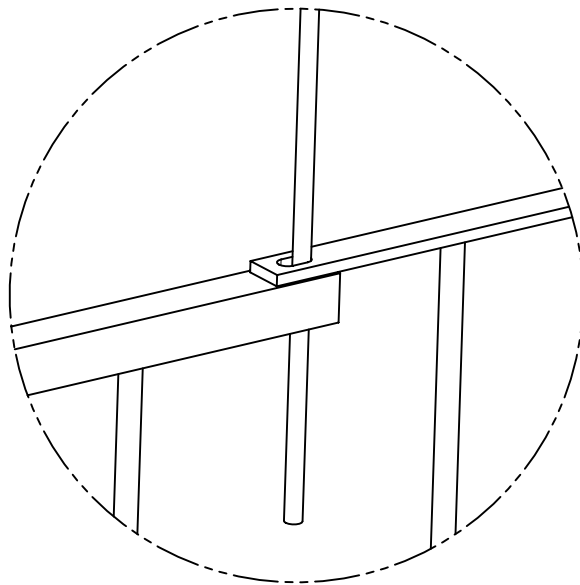
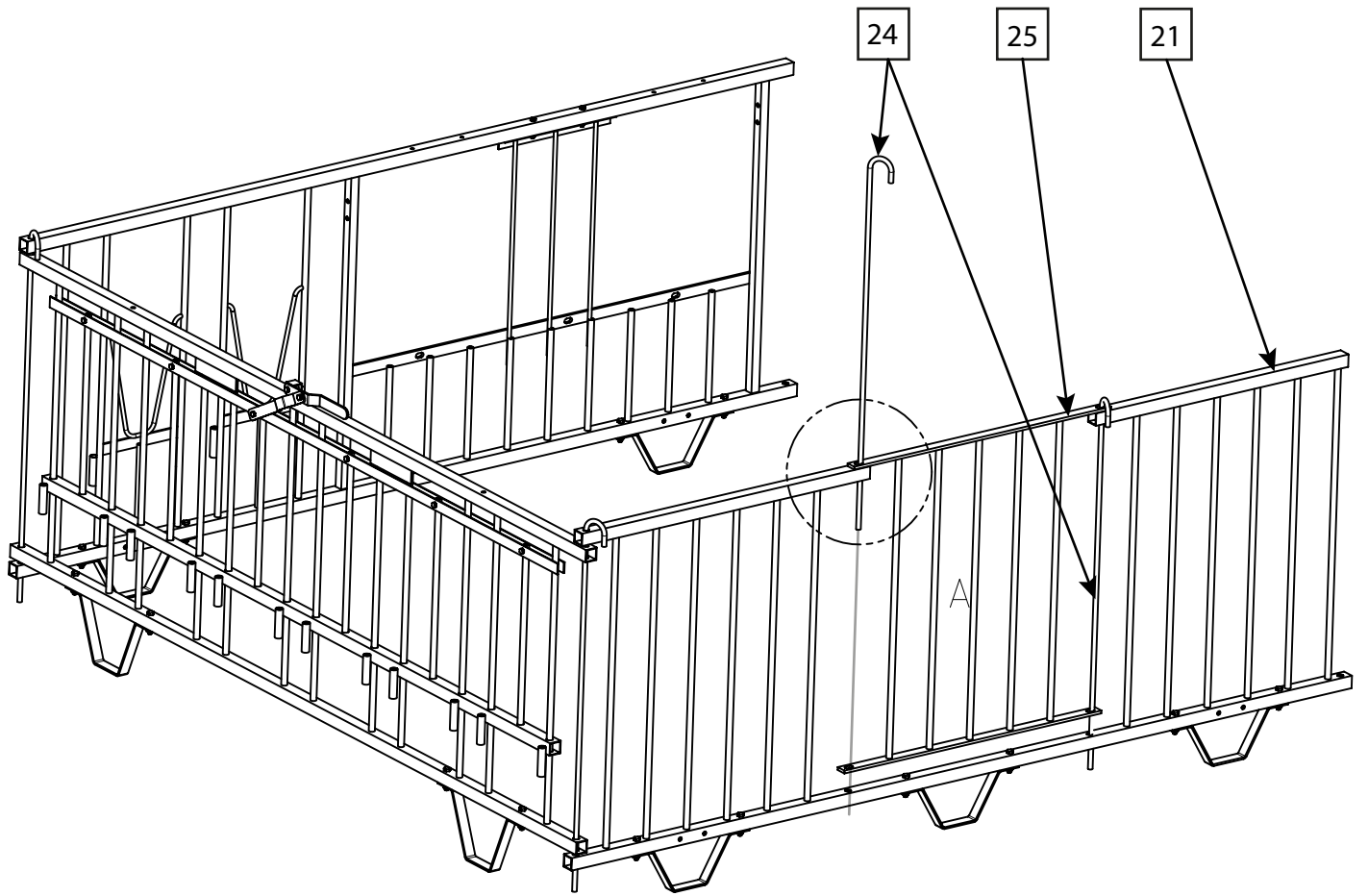
Outside

A



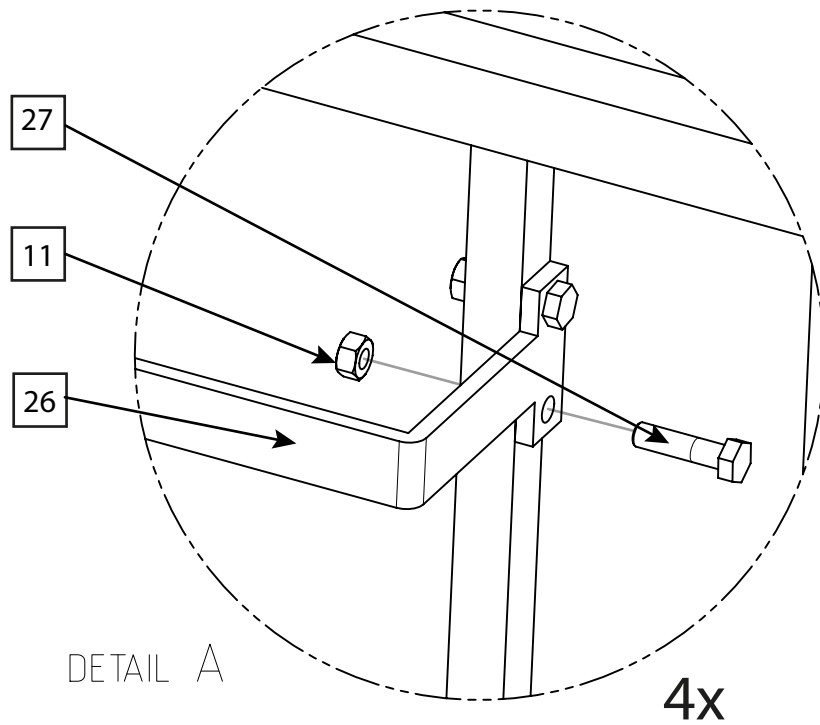
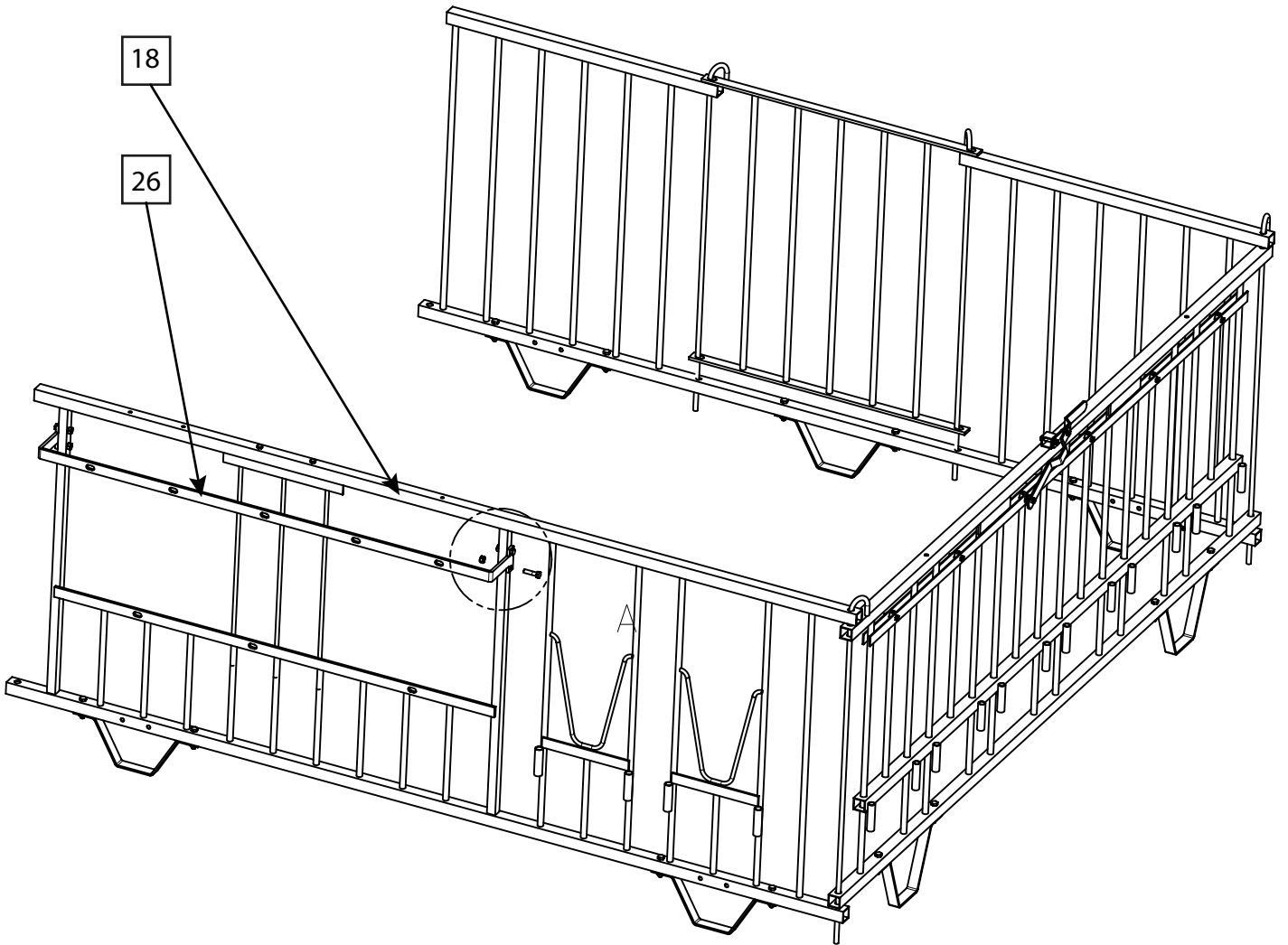
DETAIL A

9

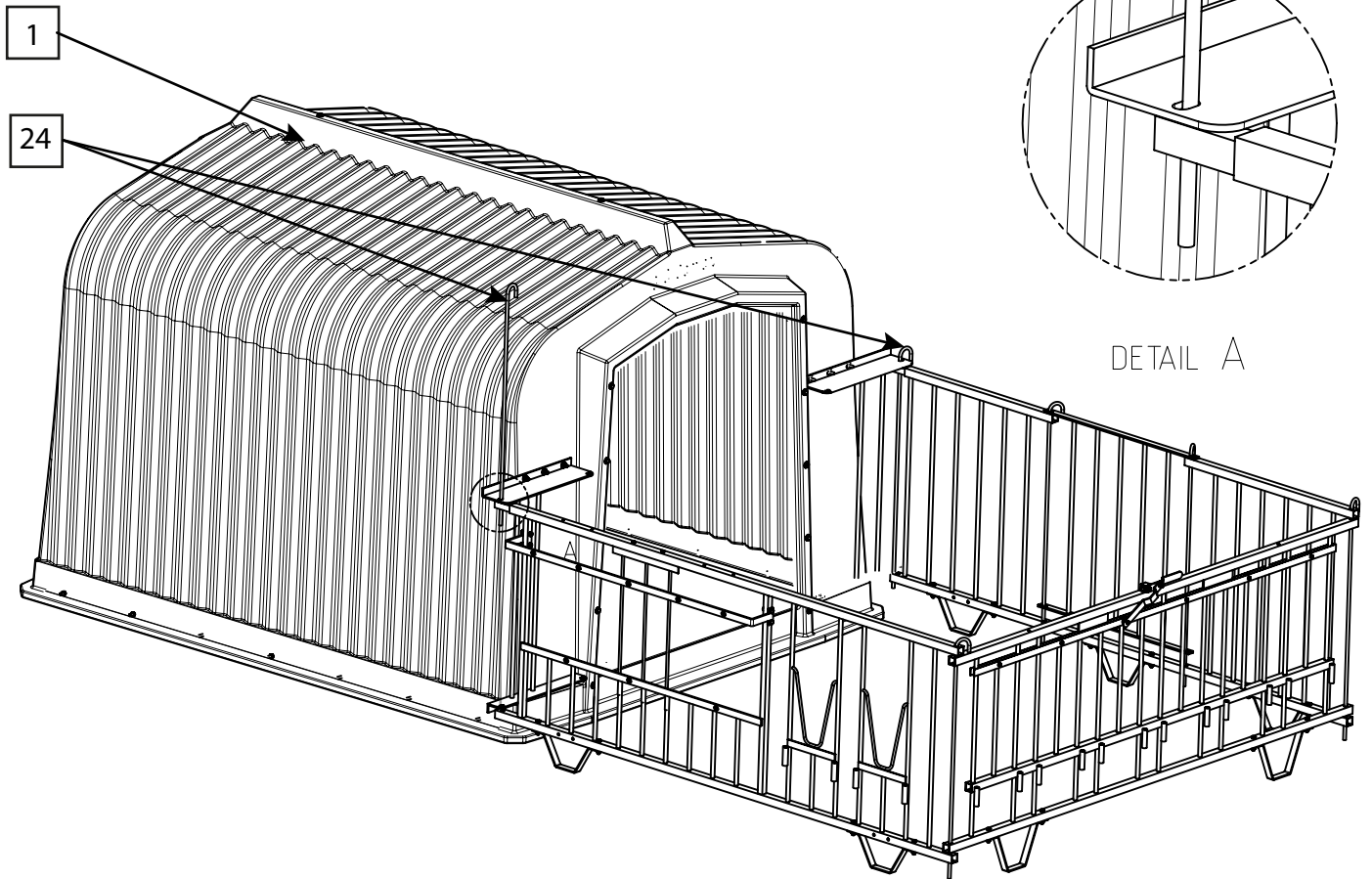
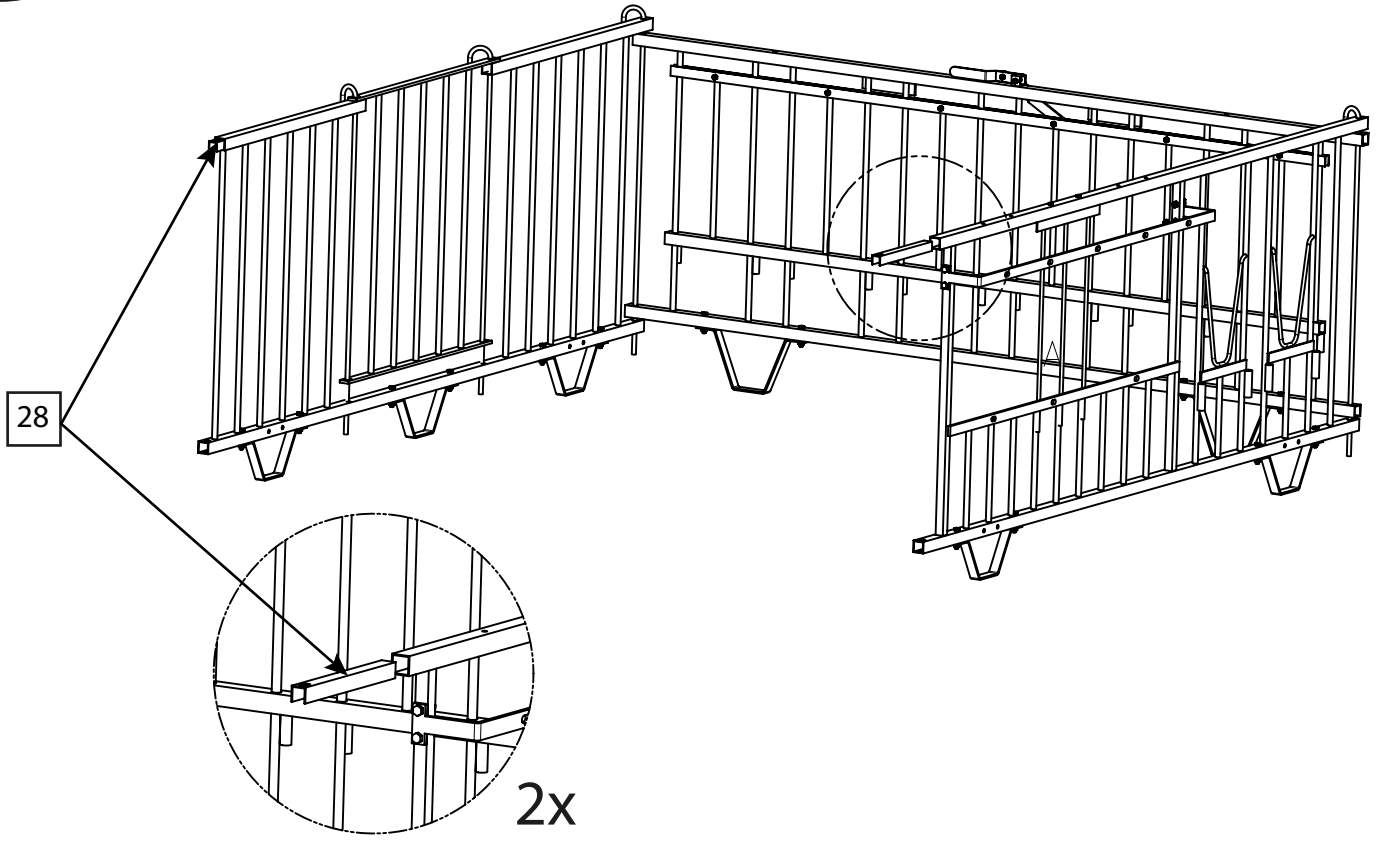


DETAIL A

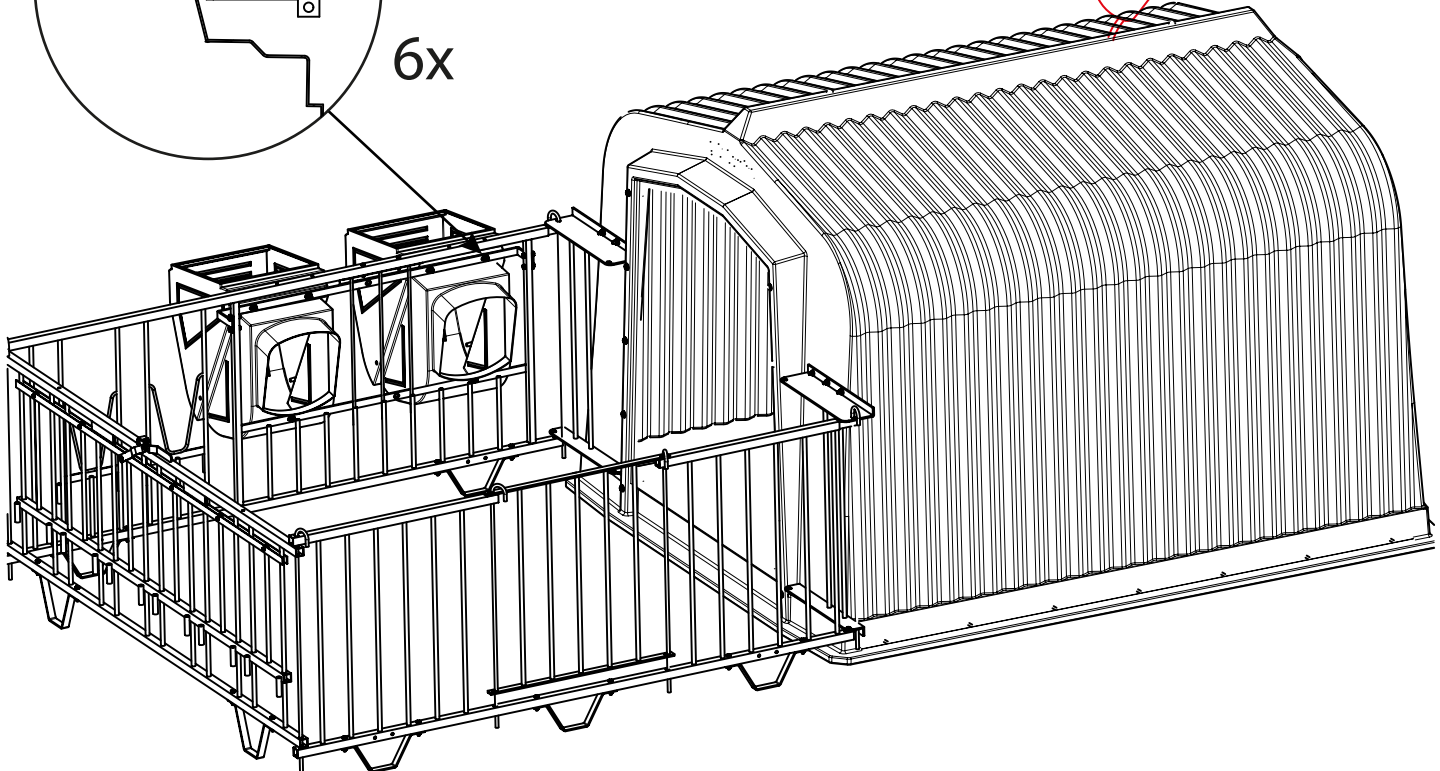
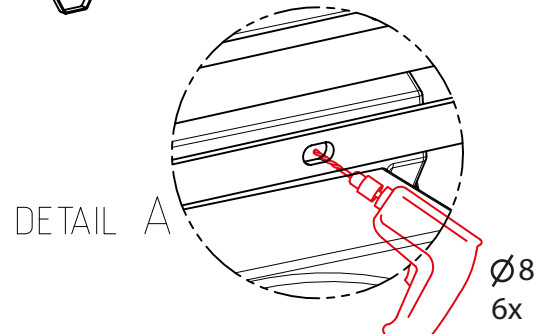
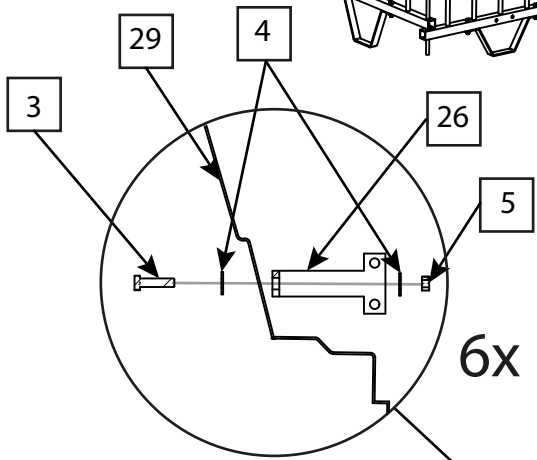
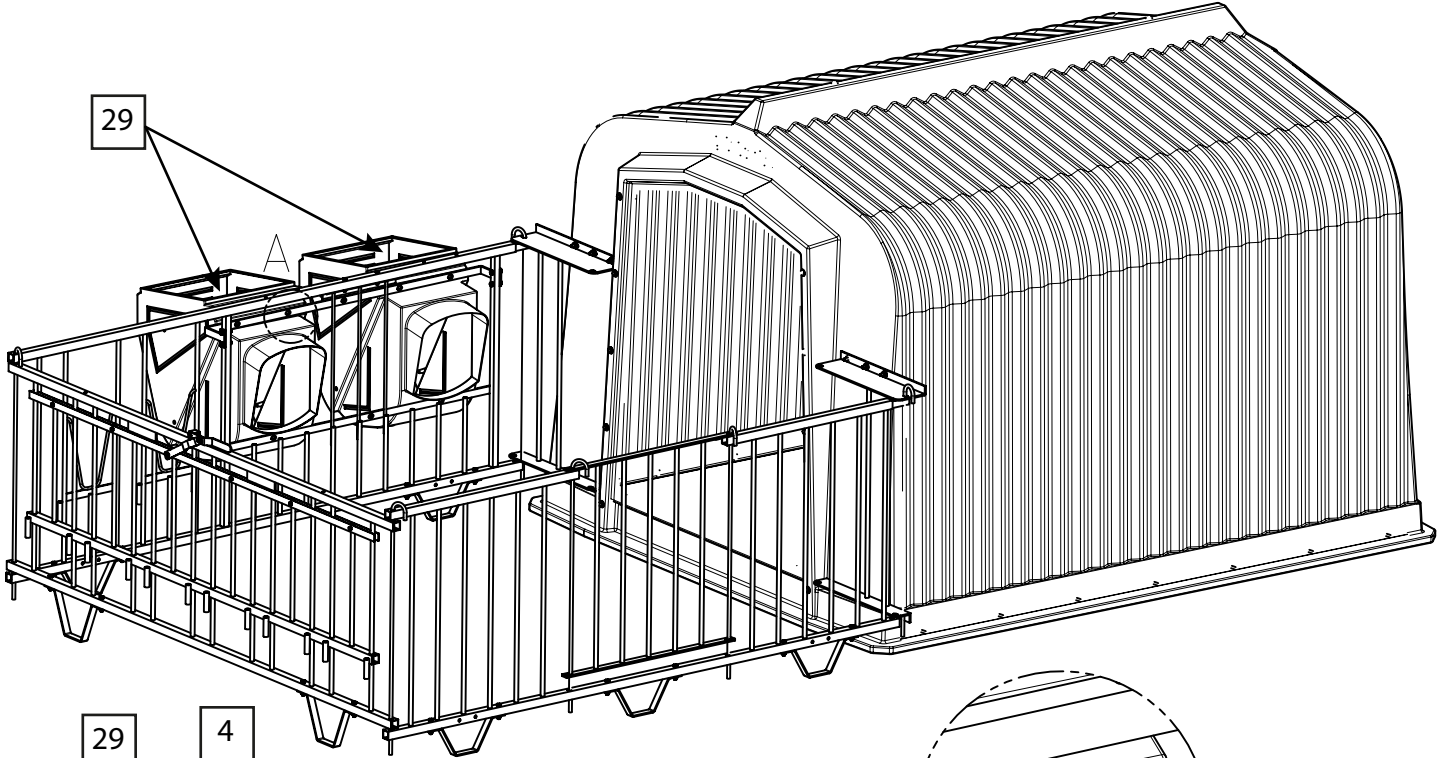
10



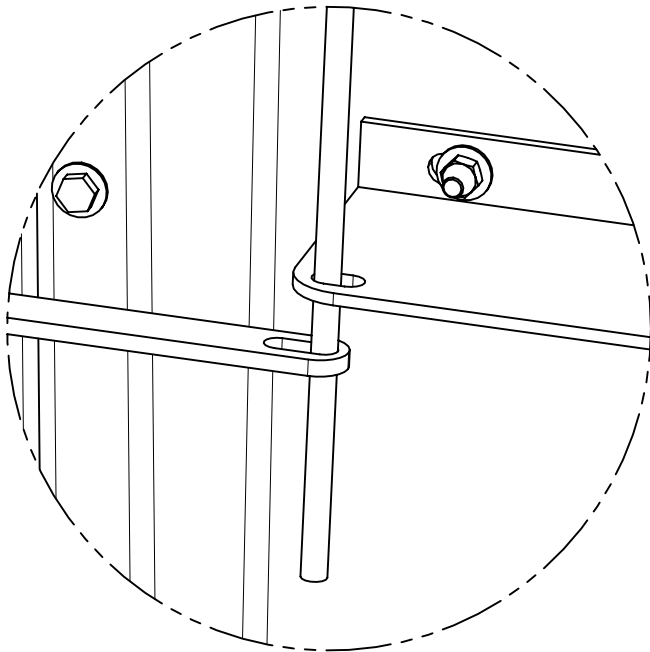
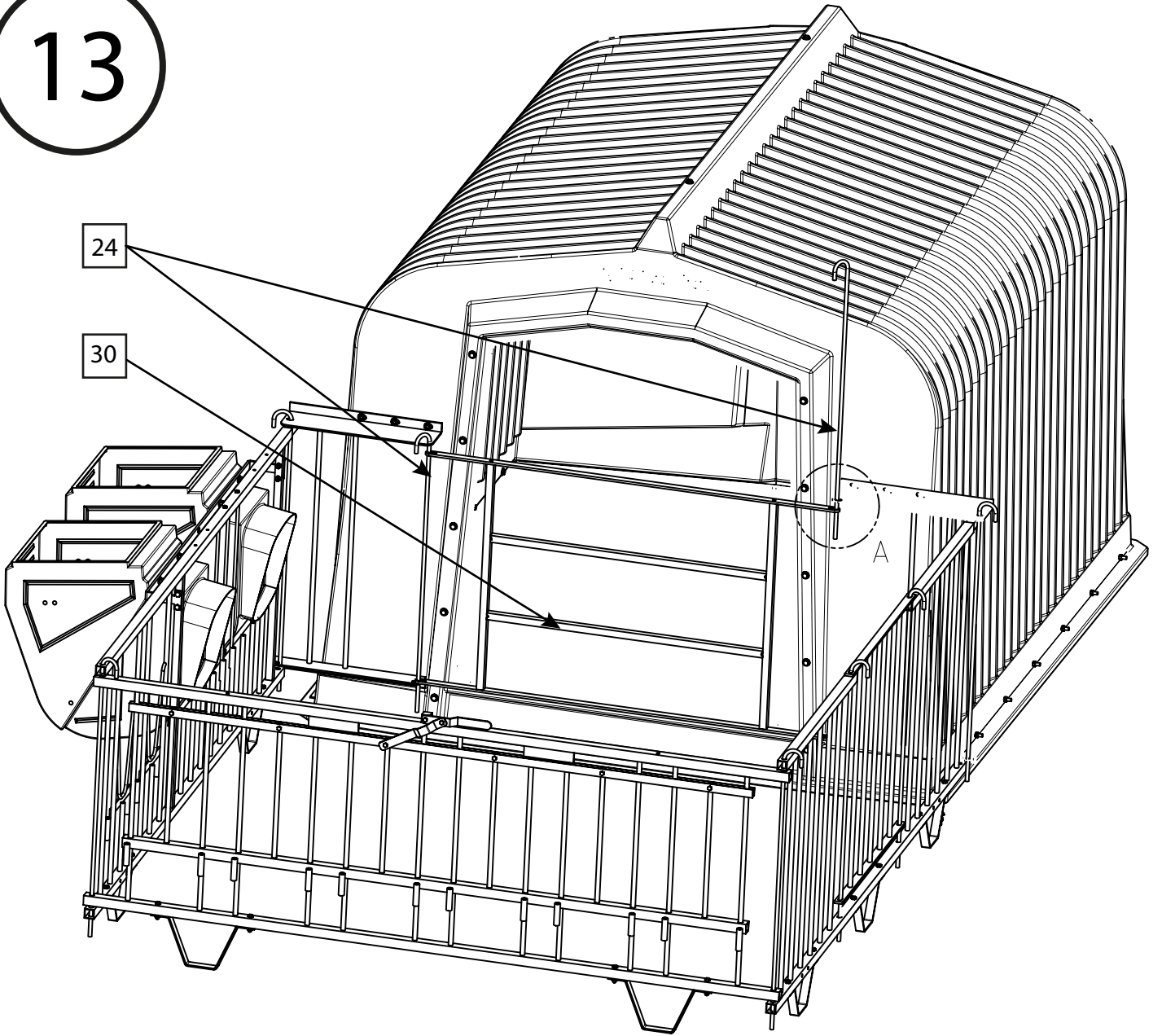
11



12

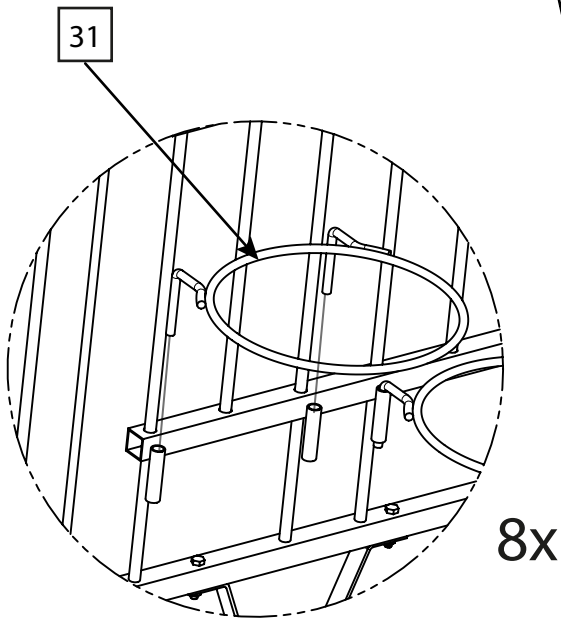
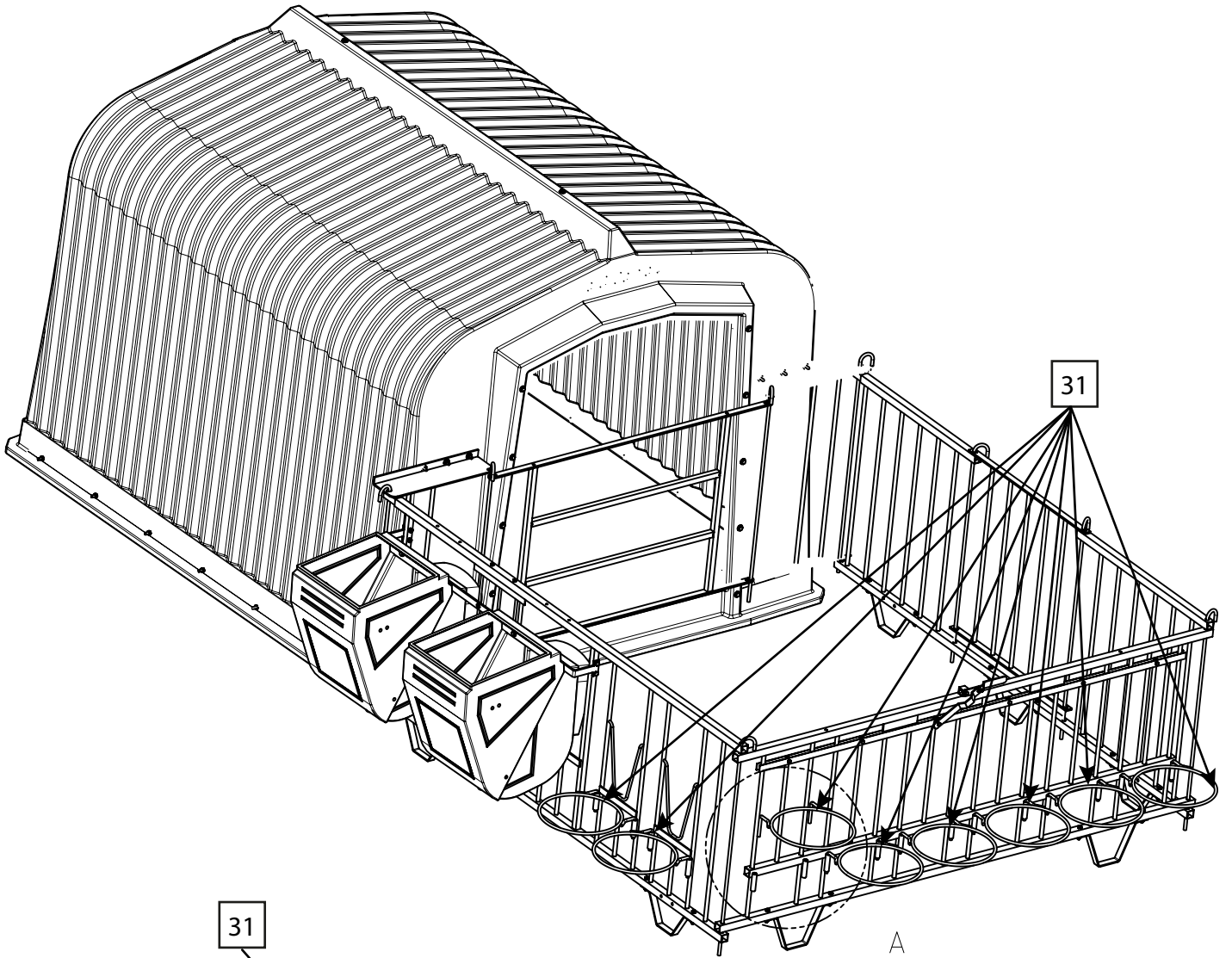


13

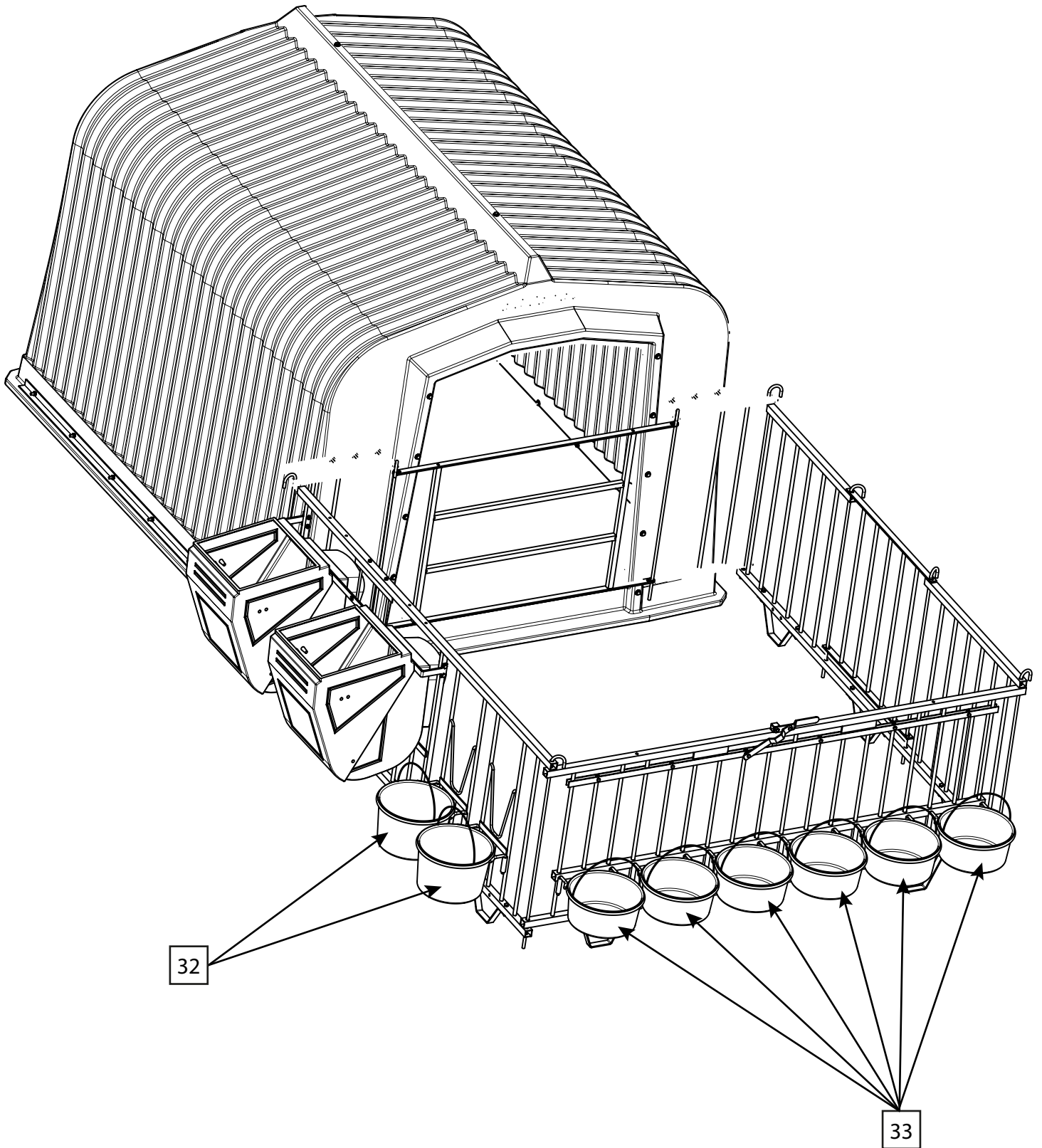


DETAIL A

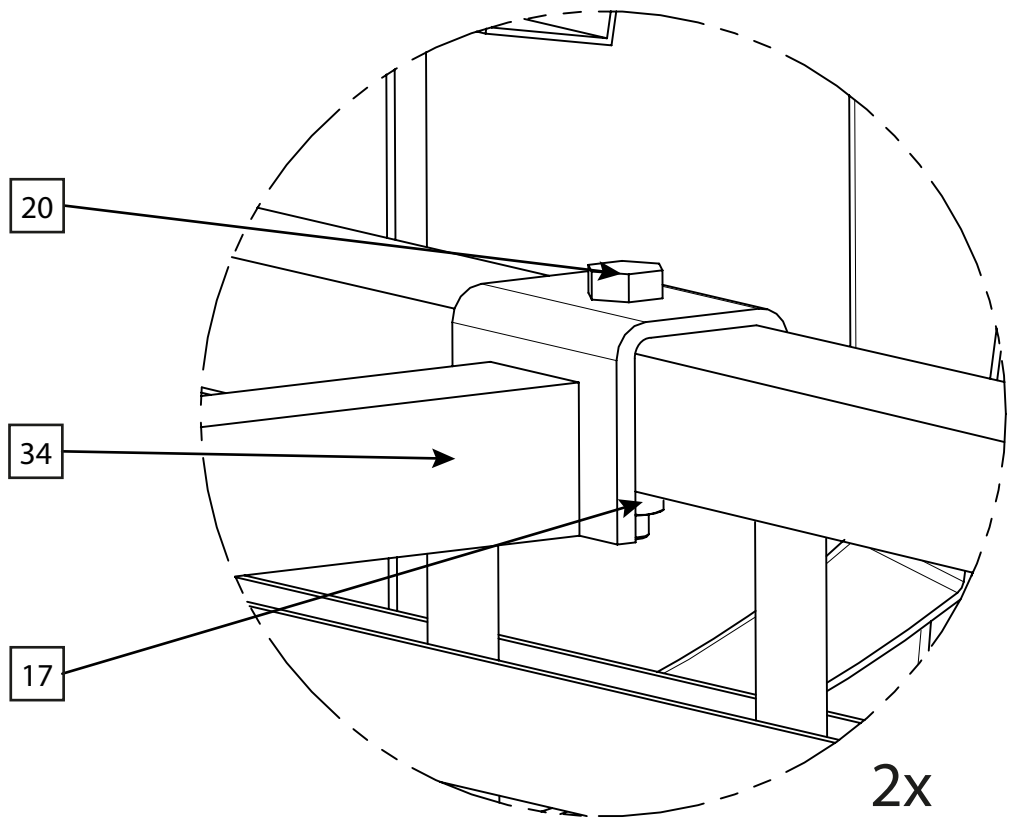
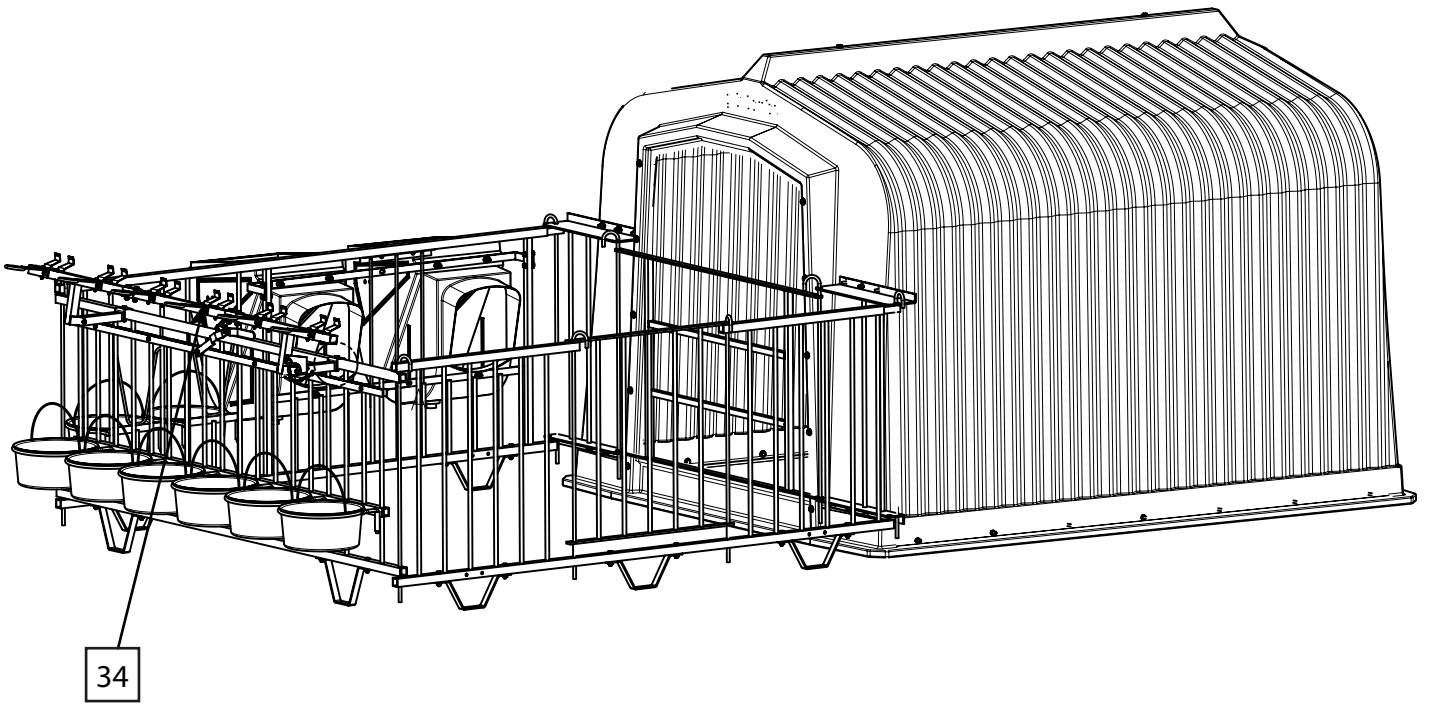
14



DETAIL A



16



DETAIL A