

MINIDOS®

Operating Manual • Mode D'Emploi
Bedienungs Handbuch • Manual de Operación
Manual de operação



Model 0.4%
Model 0.4% PAA
Model 1%
Model 2.5%
Model 5%
Model 10%
Model 20%

Fluid Flow Range:

Débit d'eau:

Durchflussmenge:

Caudal de trabajo:

Vazão Operativa:

0.03 gpm to 12 gpm*

0,11 l/mn to 45 l/mn*

Injection Range

Dosage:

Dosierung:

Dosificación:

Injeção:

0.025% to 20%

1:4000 to 1:5

Operating Pressure:

Pression:

Druck:

Presión operativa:

Pressão operativa:

6 to 140 psi*

0,41 to 6,9 bar*

*Specifications vary by model.

*Les données techniques varient selon les modèles.

* Technische Daten sind je nach Modell unterschiedlich.

* Características técnicas varían según modelo.

* Características técnicas variam conforme o modelo.

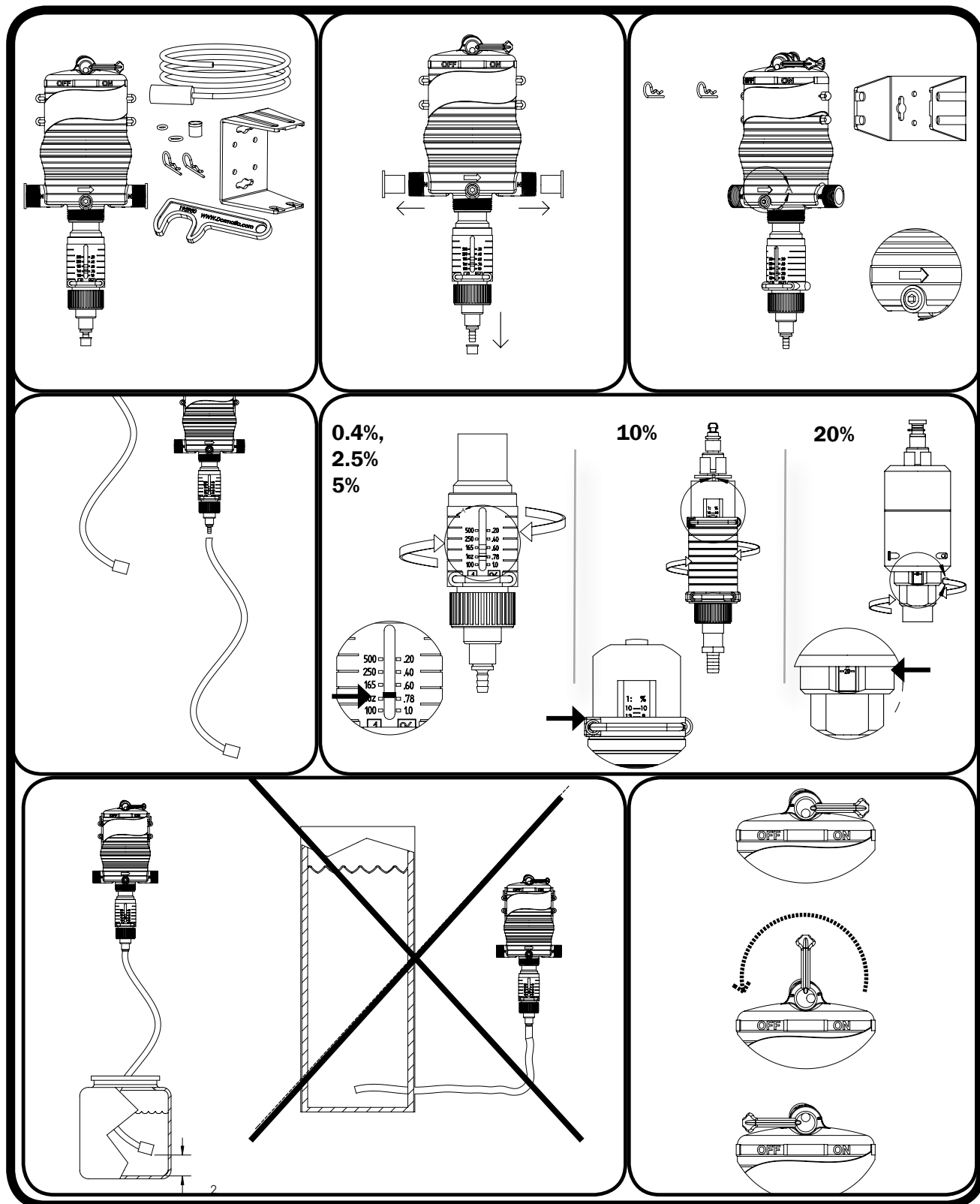
**Dosmatic®**

The Technology Leader In Fluid-Driven Proportional Injectors

Dosmatic USA Certified ISO 9001:2008 QMS

Quick Start Up
 Démarrage Rapide
 Schnell Antrieb

Puesta en marcha rápida
 Inicialização rápida



Part # 013815 Rev. I



Dosmatic®

a Hydro Systems Brand

English.....	3-25
Français.....	26-39
Deutsch.....	40-53
Español.....	54-67
Português.....	68-81

Dosmatic Offices:

Dosmatic USA

1230 Crowley Circle
Carrollton, TX USA 75006
Tel: (972) 245-9765
Fax: (972) 245-9000
Email: info@dosmatic.com
www.dosmatic.com

Dosmatic Europe

20 Route de Taillefer
33450 Montussan
(Bordeaux) France
Tel: +33 (0)5 57 97 13 13
Fax: +33 (0)5 57 97 10 19
Email: info@dosmatic-europe.com

Dosmatic Asia Co., Ltd.

861/8 T.I.T. Tower Rm. 1703
Satupradit Rd.
Bangkok, Thailand 10120
Tel: +66 (0) 26 74 97 58
Fax: +66 (0) 26 74 97 59
Email: info@dosmaticasia.com

Dosmatic Latin America

Loria 398, 4° Piso Of. 16
Lomas de Zamora
CP B1832 IXH
Provincia de Buenos Aires, Argentina
Tel: +54 11 4115 1235
Fax: +54 11 4115 1481
Email: info@dosmaticla.com.ar

Dosmatic Franchise Offices:

Dosmatic Japan - Hytem

2-10 Techno Plaza
Kakamigahara City, 504 Japan
Tel: +81 (0) 583 83 0505
Fax: +81 (0) 583 83 1230
Email: info@hytem.com

Dosmatic Australia~New Zealand

P.O. Box 9074
Wyoming, NSW 2250 Australia
Tel: +61 (0) 2 43 29 09 05
Fax: +61 (0) 2 43 29 09 04
Email: doug.rowe@dosmatic-anz.com.au

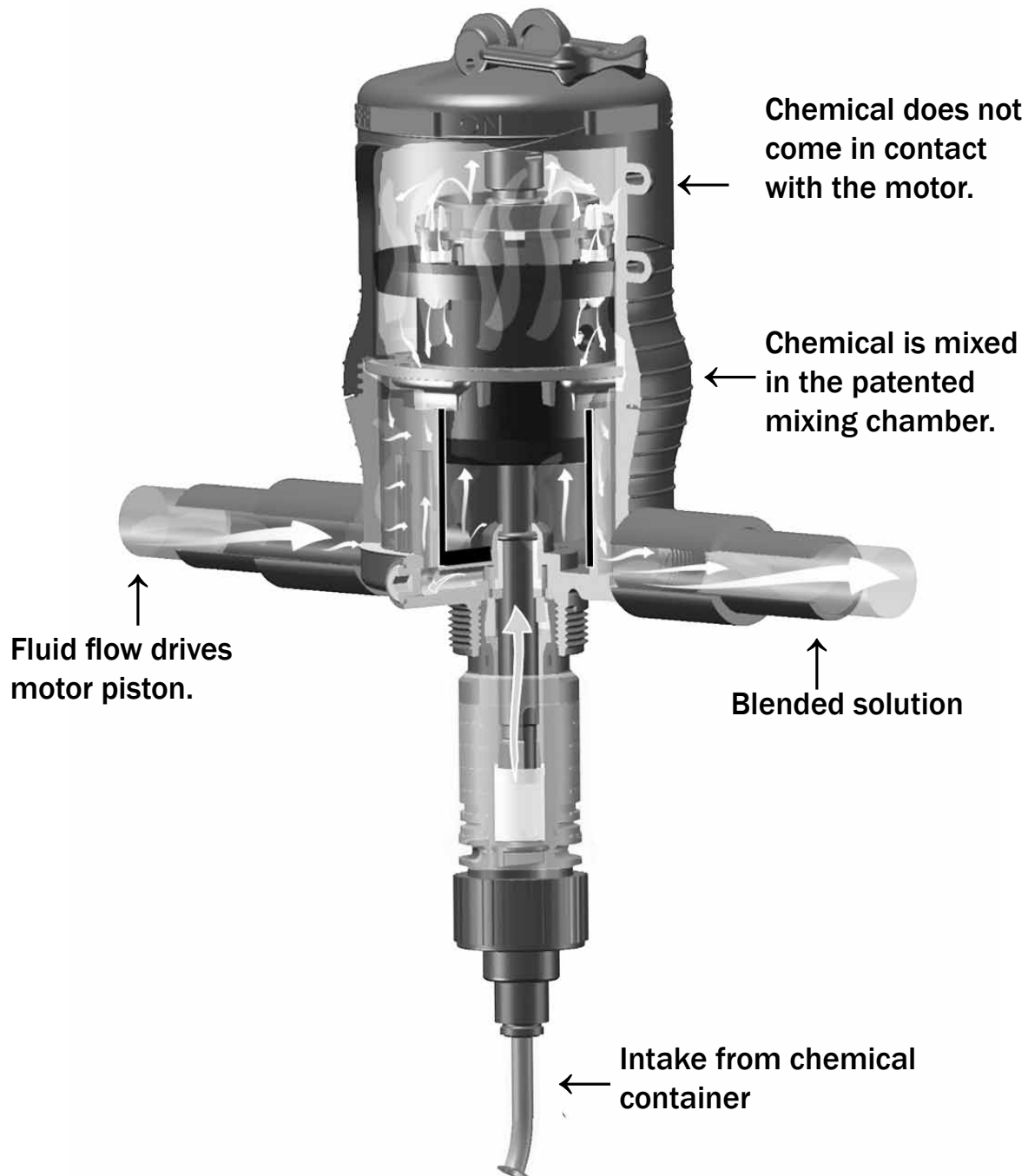
Dosmatic Brazil - Plaznova

Plasnova Louveira Ind. e Com.Ltda
Estrada Francisco Pagotto 50
Bairro Capivari
Louveira-SP, Brazil 13290-000 BR
Tel: 55-19-38765403
Fax: 55-19-3886-2842
Email: plasnova@narepresentacoes.com.br

Operating Principle

Accurate and Reliable

Installed directly in the fluid supply line, the injector operates without electricity, using fluid (water) pressure as the power source. The fluid drives the injector, which pulls the required percentage of concentrate directly from the chemical solution container. Inside the Dosmatic patented mixing chamber, the concentrate is mixed with the fluid, and the fluid pressure forces the mixed solution downstream. The amount of concentrate will be directly proportional to the volume of fluid entering the injector, regardless of variations in flow or pressure.



Contents

Operating Principle	4
Package Contents	6
Specifications	6
Safety Precautions	7
Warranty Compliance	7
General Tips	7
Operations	8
Installation and Start-up	9
Suggested Installation Diagram	9
Maintenance	10
Remote Injecting	10
Routine Maintenance Instructions 0.4%	11
Routine Maintenance Instructions 1%	12
Routine Maintenance Instructions 2.5% & 5%	13
Routine Maintenance Instructions 10%	14
Routine Maintenance Instructions 20%	15
Troubleshooting	16
Injector Repair Parts	17
Lower end injector & wear parts kits 0.4% PAA:	18
Lower end injector & wear parts kits 0.4%:	19
Lower end injector & wear parts kits 1%:	20
Lower end injector & wear parts kits 2.5%:	21
Lower end injector & wear parts kits 5%:	22
Lower end injector & wear parts kits 10%:	23
Lower end injector & wear parts kits 20%:	24
Warranty	25

Please read this manual carefully before putting the Dosmatic injector into operation.

This booklet has the information you will need for the use and care of your new Dosmatic injector. If you have any further questions about your injector, the warranty, routine maintenance or proper usage, please contact your nearest distributor or Dosmatic customer service.

These models are designed to inject liquid concentrate or soluble powder that are recommended and approved for injection into fluid systems.

It is the responsibility of the operator to determine the correct dosage settings of the unit using the chemical manufacturers' recommendation for dispensing their product, and to assure that proper dosage is being maintained.

Maintenance and Warranty

Dosmatic offers a three year limited warranty from the original date of purchase for manufacturing or materials defects only. With proper use and care, your injector should provide you long-term performance. Please review the complete warranty information on page 25.

For Your Records

The serial number of your Dosmatic injector is located on the injector body. Please record this number in the space below and reference it when calling your distributor or Dosmatic for information, parts and service.

Serial #.....

Date Purchased

**Important:
for product registration
visit our website
www.dosmatic.com
to fill out product
registration form!**

This document does not form a contractual engagement on the part of Dosmatic and is for information only. Dosmatic reserves the right to alter product specifications or appearance without prior notice.

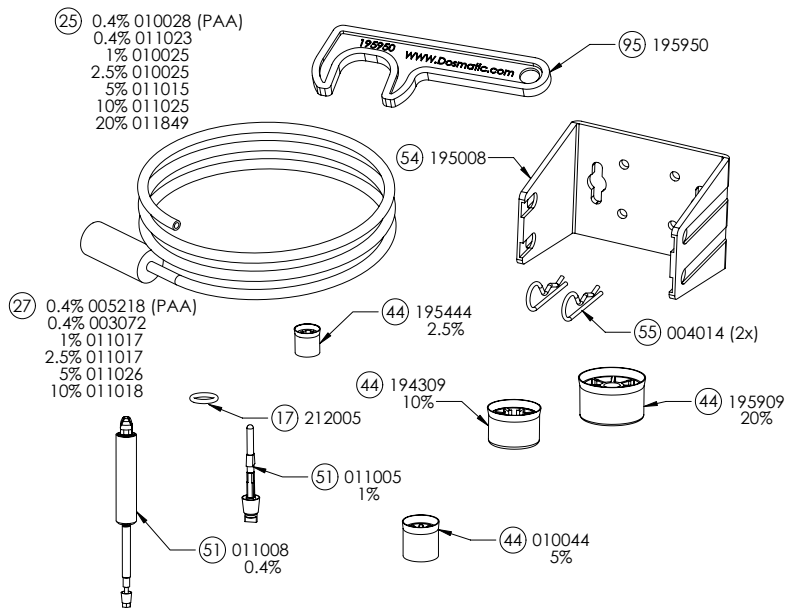
Package Contents

The injector is packaged with the following items:

Dosmatic Injector (not shown)
 Dosage Piston
 O-ring
 Manual (not shown)
 Lower Shaft Assembly

Mounting Bracket
 Mounting Nuts and Bolts
 Filter
 Suction Tube

Dosmatic USA
 Certified ISO 9001:2008 QMS



	Model	NPT	BSP
	0.4%	112608	112609
0.4% Heavy Duty		112638	112639
0.4% PAA		112608K	112609K
1%		112600	112601
1& Heavy Duty		112630	112631
2.5%		112602	112603
2.5% Heavy Duty		112632	112633
5%		112604	112605
5% Heavy Duty		112634	112635
10%		112606	112607
10% Heavy Duty		112636	112637
20%		112620	112621
20% Heavy Duty		112640	112641
20% Remote Injection		112622	112623

Specifications



MiniDos 7 gpm (65 max. psi)

Model 20% 4% - 20% (1:25 - 1:5)
 Flow Rate: 0.07 - 7 gpm (0,26 - 27 l/mn)
 Operating Pressure: 6 - 65 psi (0,41 - 4,5 bar)
 Pipe Coupling: 3/4" NPT/BSP

MiniDos 10 gpm (65 max. psi)

Model 10% 2% - 10% (1:50 - 1:10)
 Flow Rate: 0.07 - 10 gpm (0,26 - 38 l/mn)
 Operating Pressure: 6 - 65 psi (0,41 - 4,5 bar)
 Pipe Coupling: 3/4" NPT/BSP

MiniDos 12 gpm (140 max. psi)

Model 0.4% 0.025% - 0.4% (1:4000 - 1:250)
 Model 1% 0.20% - 1% (1:500 - 1:100)
 Model 2.5% 0.50% - 2.5% (1:200 - 1:40)
 Model 5% 1% - 5% (1:100 - 1:20)
 Flow Rate: 0.03 - 12 gpm (0,11 - 46 l/mn)
 Operating Pressure: 6 - 140 psi (0,41 - 9,7 bar)
 Pipe Coupling: 3/4" NPT/BSP

Housing	Proprietary Engineered Composite Material
Dosing Accuracy	+/- 10% of ratio
Repeatability	+/- 3% of ratio
Pressure Loss	Available upon request
Maximum Temp.	100°F (38°C)
Minimum Temp.	34°F (1°C)
Maximum vertical suction of concentrate	13 Feet (3.6 Meter)
Maximum horizontal suction of concentrate	49 Feet (15 Meter)
Self-Priming	Yes
Seal Material Available: *Contact your Dosmatic representative for specific chemical information	Aflas Viton EPDM Kalrez Teflon Coated
Maximum Viscosity	1,500 cP (Ex. Honey)
Recommended Accessories	140 mesh (104 micron) filter, check valve, pressure regulator, flow restrictor.

Safety Precautions Warranty Compliance



Warning, Please read precautions thoroughly before operation. Must meet all applicable local codes and regulations.

Remove Red Caps Prior to Installation

Your injector is 100% factory tested before delivery and may contain a small amount of water. The three red plastic caps are fitted after testing to ensure cleanliness of the injector.

Before Applying Aggressive Chemicals

Please consult your distributor, chemical manufacturer or contact Dosmatic's customer service to confirm compatibility with your injector. Always wear proper safety protection as recommended by chemical supplier.

Label all Fluid Lines, Valves and Connections

If the solution that is being injected is not suitable for drinking, all fluid lines should be labeled:

Warning not for human consumption!

Monitor Outlet Flow

It is the user's responsibility to monitor the output of chemical injected.

A Filter is Recommended and Required

Install a filter of 140 mesh (104 micron) or finer depending on your fluid quality to prolong the working life of the injector and for the warranty to be valid. A filter is imperative since most fluid contains impurities or particles, especially if the fluid source comes from a well, pond or lake.

Avoid a Potentially Hazardous Chemical Accident

Select a safe location. Chemical container should be kept away from children and/or high usage areas and the location must also not be susceptible to freezing temperatures.

Avoid Solution Contamination

Use only clean FILTERED fluid. Do not allow contaminants to enter the solution container. They can be pumped into the fluid line and may cause the spread of disease. Dirt, debris and other contaminants in the solution container may cause excessive wear to the unit.

Fluid Temperature

Min: 34 °F (1 °C) Max: 100 °F (38 °C)

Maximum Fluid Pressure

0.4%, 1%, 2.5%, 5% - 140 psi (9,7 bar)
10% & 20% models have maximum operating pressure of 65 psi (4,5 bar).
Operating pressure and flow are reduced while using remote injection kit.

Install a pressure regulator and/or pressure relief valve to ensure operating pressure does not exceed the maximum specification.

Before Removing An Injector From The System

Release fluid pressure. While the system is in operation, turn off the incoming fluid valve. Leave the out going valve open this will relieve the pressure at the injector and all parts of the system after the injector. Injector is now safe to remove.

General Tips

Please read this instruction manual thoroughly. Following the procedures, will increase the life of your injector.

For A Long Service Life

Start with clean fluid by using an inline filter to reduce impurities. Keep the solution container covered and clean. Keep the suction tube filter 2" (5 cm) from the bottom of the container. Perform maintenance procedures as recommended (see Maintenance page 10).

Soluble Powder Use

Ensure the chemical is completely dissolved before starting the injector. If necessary, dissolve the chemical in hot water and allow to cool before using. Failure to thoroughly dissolve the chemical will cause premature wear to the dosage piston and the inner cylinder.

Keep From Extreme Temperature

Protect the injector from freezing temperatures or excessive heat.

Rinse Injector After Each Use

Additive allowed to remain in injector can dry out, foul or damage the lower end at the next start-up (see Maintenance page 10).

Injector Not in Use for an Extended Period

If the injector has not been stored properly deposits may have dried onto the motor (see Maintenance page 10). Before operation, soak entire unit into room temperature water approx. 72 °F (22 °C) for an eight hour period.

Operations

Clicking Sound is Normal

Fluid flowing through the injector will automatically cause the injector to “click” and inject a set amount of solution into the fluid line. The higher the flow rate the more frequent the “clicking”. The injector is designed to inject solution proportionally (at the same set ratio) regardless of fluid flow.

Service Fluid Flow

Fluid flow and pressure must be within the established specifications (see Specification on page 6) for your model.

Change Feed (Injection) Rate

The feed rate on the injector is adjustable EVEN WHILE OPERATING AND UNDER PRESSURE. To change feed rate see Fig 1 (a, b or c) and Fig 2 (a, b or c) based on your injection rate. Do not remove #79 when injector is under pressure.

MiniDos 0.4%, 1%, 2.5% and 5%, see Fig 1a and 2a

Rotate Ratio Adjuster (#61) (Fig 1a) up or down using the Setting Indicator Mark (Fig 2a) to select the desired feed rate.

MiniDos 10%, see Fig 1b and 2b

1. Remove Interlock Pin (#65) (Fig 1b.).
2. Rotate Ratio Adjuster (#61) up or down to the desired setting. Use the top of the Ratio Adjuster Sleeve to line up with the desired feed rate setting (Fig 2b).
3. Re-insert Upper Interlock Pin (#65). Clip must be parallel with settings to be able to re-insert.

MiniDos 20%, see Fig 1c and 2c

1. Remove Ratio Locking Pin (#79) (Fig 1c.).
2. Rotate Outer Cylinder (#7) up or down to the desired setting. Use the top of the Outer Cylinder to line up with the desired feed rate setting (Fig 2c).

Bypass Operation

Injecting solution into the fluid line can be TEMPORARILY stopped with the On/Off feature (Fig. 3). Moving the On/Off Lever to the OFF position allows service fluid to pass through the injector without injecting chemical. No “clicking” will be heard.

With the On/Off lever set to the ON position the injector will operate as normal and “clicking” will be heard when fluid is flowing. It is recommended to use the three-valve bypass (see Fig. 5), for continued bypassing or servicing of the injector.

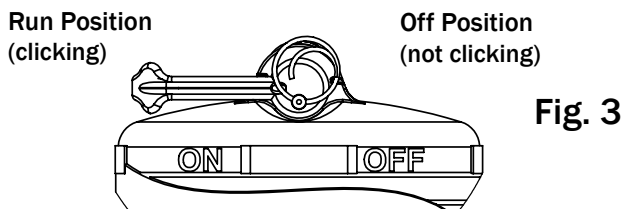


Fig. 3

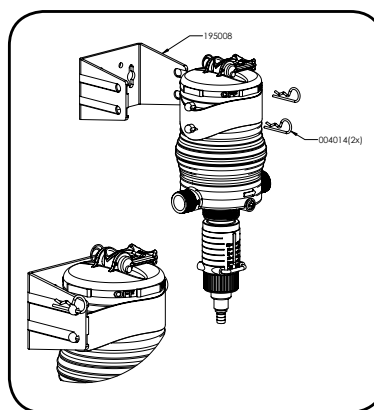


Fig. 4
Typical wall mounting

**NOTE: Do not adjust feed rate below lowest setting line.
Measure outlet fluid to assure desired feed rate is being delivered.**

MiniDos 0.4%, 1%, 2.5% and 5%

Fig. 1a

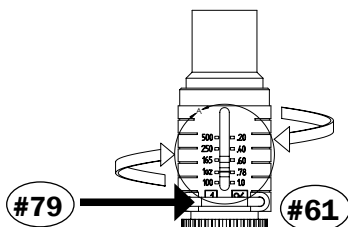
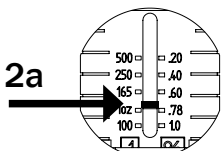


Fig. 2a



MiniDos 10%

Fig. 1b

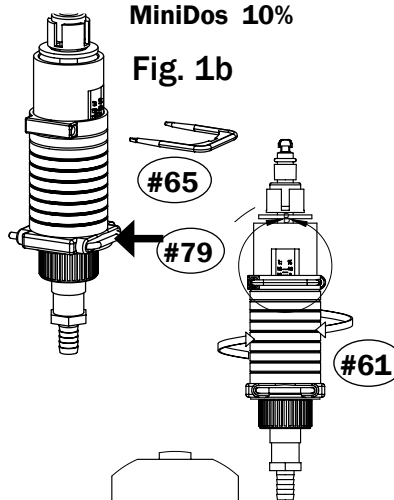
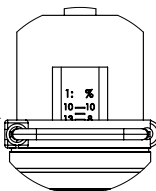


Fig. 2b



MiniDos 20%

Fig. 1c

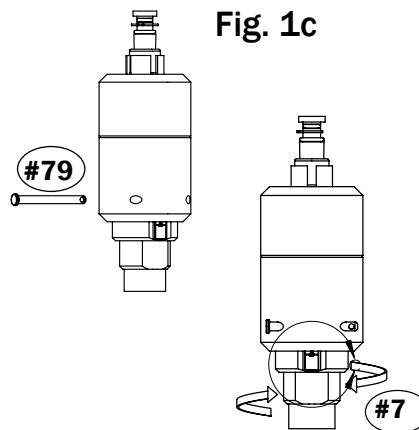
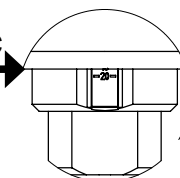


Fig. 2c



Installation and Start-up

Refer to Fig. 4 and Fig. 5

Fluid Filter (Required)

Install a filter of 140 mesh (104 micron) or finer depending on your fluid quality to prolong the working life of the injector and for the warranty to be valid. Dosmatic recommends a Twist II Clean® filter that can be ordered with your injector.

Mounting Injector

Securely fasten your injector to a solid object such as a wall or in a cold fluid line. Note arrow on injector indicates fluid flow.

Backflow Preventor (Recommended)

Install one that meets local code requirements.

Pressure Safety Release Device (Recommended)

Prevents pressure from exceeding specifications of the unit.

Bypass Valve Set-up (Recommended)

Allows the injector to be taken off-line for maintenance or storage when not in use.

Fluid-Hammer Arrester (Recommended)

Prevents fluid-hammer damage to the injector when operating quick closing solenoid, pneumatic or hand-operated ball valves on the fluid system.

Anti-Siphon Valve (Optional)

To prevent solution from being siphoned out (from the solution container) into the feed lines when the upstream valve is shut off. The anti-siphon valve must be installed on the downstream outlet.

Additional Siphoning Prevention

Place solution container on a level below the injector suction tube fitting. Using the inlet side as a shut-off valve could cause full strength solution to siphon into the feed line.

Solution Container

Use any size container. A lid or cover is recommended. To connect your solution container, gently push the end of the suction tube onto the bottom of the suction tube fitting assembly. Place the filter into the solution container at least 2" (5cm) from the bottom and fill with at least 2" (5cm) of chemical solution.

Never Use Petroleum Based Lubricants

The injector is shipped with a thin coat of silicone around the seals for ease-of-assembly. Petroleum based lubricants such as Vaseline®, baby oil, WD40®, or motor oil on the O-rings or any part of the injector should never be used as this can cause particles to adhere and clog or damage the injector.

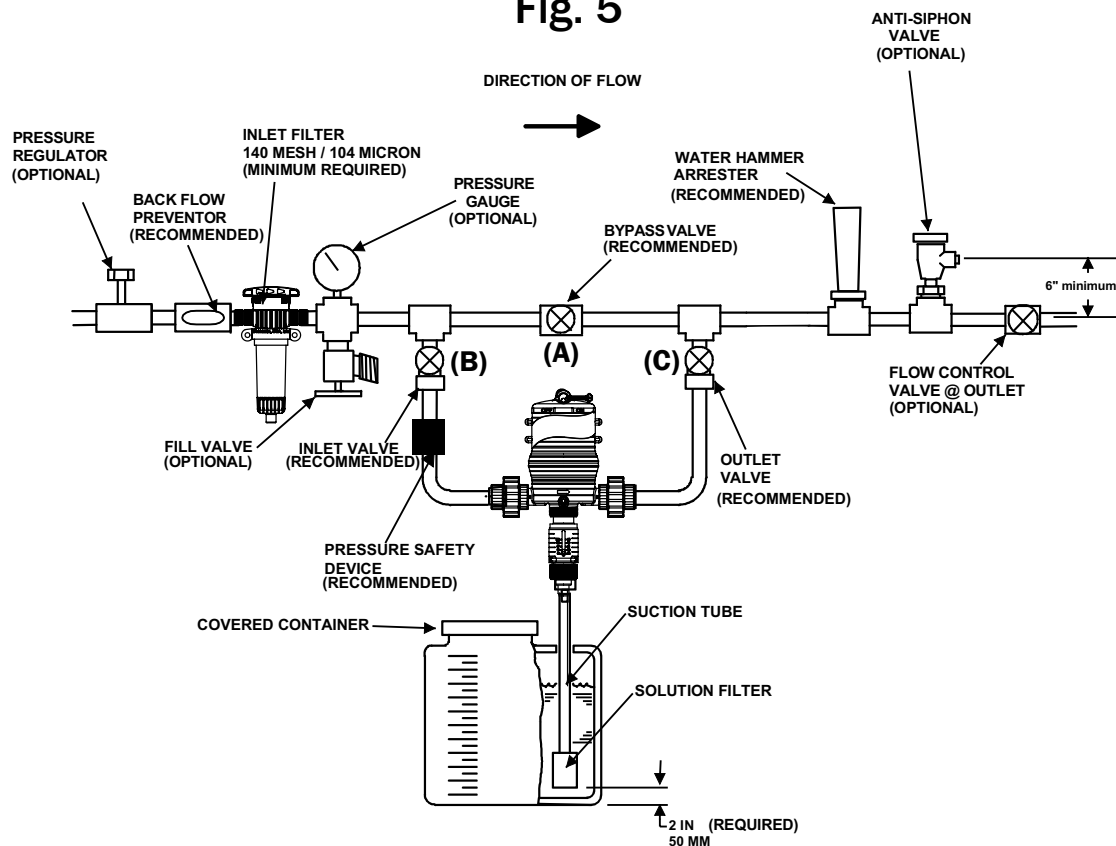


Check System for Leaks and Start-Up Procedures

Open the bypass valve (A), close inlet valve (B) and outlet valve (C) to prevent fluid flow into the injector. **SLOWLY** turn on the main fluid line. Run fluid flows between 5 -12 gpm (11-45 l/m) through the plumbing system. Turn on all of the valves located downstream from your injector to release trapped air. **SLOWLY** turn on the inlet valve (B). Open the outlet valve (C) and close valve (A). As fluid travels through the injector, you will hear a "clicking" sound. Check for leaks and correct if necessary.

Suggested Installation Diagram

Fig. 5



Remote Injecting

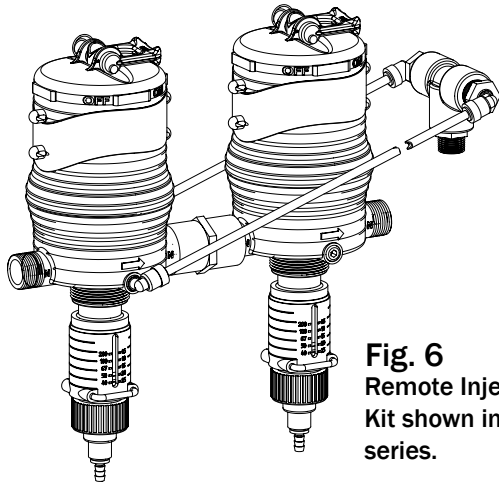


Fig. 6
Remote Injector
Kit shown in a
series.

Remote Injector Kit (not included)
Is recommended for the following:

Kit Part Numbers
011762

Injectors In a Series:

When injecting multiple chemical injections, using two or more injectors. Each injector adds chemical to the fluid(water) system, while bypassing the next injector and eliminating the potential damage to that injector (see Fig. 6). To prevent mineral buildup within the body of the unit. Use when injecting chemicals that cause minerals to precipitate from fluid.

NOTE: when mixing more than one chemical, always refer to your chemical manufacturer information guide for proper application. Contact your local distributor or Dosmatic customer service for information or to order.

Maintenance

Reference numbers refer to Page 17 - 24

RINSE INJECTOR AFTER EACH USE

Additive allowed to remain in injector can dry, foul or damage the lower end at the next start-up. Place suction tube into a 1 qt. (0.95 liters) or more container of fresh filtered water. Flow fresh water through the injector by operating until container is empty. This procedure is not needed for continuous operation.

CLEAN SOLUTION CONTAINER

Keep covered to prevent dirt, flies, feathers and other flying debris from entering the container. Rinse container thoroughly and often. Do not mix chemicals together that might react and cause a precipitate. Use **FILTERED** fluid when filling container.

CLEAN SUCTION TUBE FILTER SCREEN

Inspect each time new solution is added. Clean filter screen (#27) and suction tube (#25) as necessary by rinsing in fresh water. Replace if necessary. Keep filter screen off bottom of solution container to prevent dirt and precipitate from clogging filter.

CLEAN INLET FILTER

Clean or replace inlet filter as required to increase the life of the unit as well as reduce pressure loss.

BYPASS INJECTOR

When not in use place the injector in bypass mode by using the three valve bypass (preferred) or turn the On/Off lever on the top of the injector to the off position.

STORAGE

For extended storage, rinse injector (see "Rinse Injector After Each Use") and place underwater in a container. Apply monthly, <0.1 oz. (29 ml) of chlorine bleach to avoid algae growth.

KEEP FROM FREEZING.

Perform these maintenance procedures to extend the life of your unit.

MiniDos (0.4%) & (0.4) PAA
Refer to pages 18 & 19

Every 3 - 6 Months	Every 6 - 12 months	Replace as necessary
1. Clean seal area (#13). 2. Check #17 O-ring, #51 Shaft Assembly, clean and/or replace as necessary.	1. Replace #17 O-ring and #51 Shaft Assembly. 2. Clean and/or replace #13 Check Poppet, #11 Suction Tube Fitting.	1. #37 Cylinder 2. #17 O-ring 3. #51 Shaft

MiniDos (1%)
Refer to page 20

Every 3 - 6 Months	Every 6 - 12 months	Replace as necessary
1. Clean seal areas (# 17, 14 & 13). 2. Check #17 O-ring, # 68 Cylinder, clean and/or replace as necessary.	1. Replace #17 O-ring and #44 Dosage Piston. 2. Clean and/or replace #13 Check Poppet, #11 Suction Tube Fitting.	1. #68 Cylinder 2. #14, #17 O-ring 3. #51 Shaft 4. #44 Dosage Piston

MiniDos (2.5%) & (5%) Refer to pages 21 & 22

Every 3 - 6 Months	Every 6 - 12 months	Replace as necessary
1. Clean seal areas (# 17, 14 & 13). 2. Check #17 O-ring, #37 Cylinder, clean and/or replace as necessary.	1. Replace #17 O-ring and #44 Dosage Piston. 2. Clean and/or replace #13 Check Poppet, #11 Suction Tube Fitting.	1. #37 Cylinder 2. #14, #17 O-ring 3. #52 Shaft 4. #44 Dosage Piston.

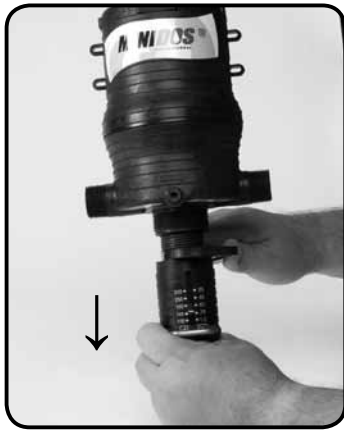
MiniDos (10%)
Refer to page 23

Every 3 - 6 Months	Every 6 - 12 months	Replace as necessary
1. Clean seal areas (# 17, 14 & 13). 2. Check #17 O-ring, #37 Cylinder, clean and/or replace as necessary.	1. Replace #17 O-ring and #44 Dosage Piston. 2. Clean and/or replace #13 Check Poppet, #11 Suction Tube Fitting.	1. #37 Cylinder 2. #14, #17 O-ring 3. #52 Shaft 4. #44 Dosage Piston

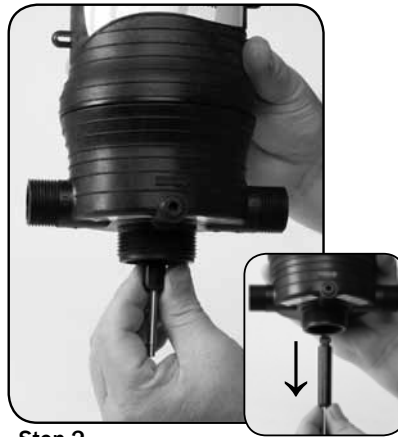
MiniDos (20%)
Refer to page 24

Every 3 - 6 Months	Every 6 - 12 months	Replace as necessary
1. Clean seal areas (# 17, 14). 2. Check #17 O-ring, #7 Cylinder, clean and/or replace as necessary.	1. Replace #17 O-ring and #44 Dosage Piston. 2. Clean and/or replace #60.	1. #7 Cylinder 2. #14, #17 O-ring. 3. #44 Dosage Piston

Routine Maintenance Instructions 0.4%



Step 1.
Unscrew #7 OUTER CYLINDER from body.



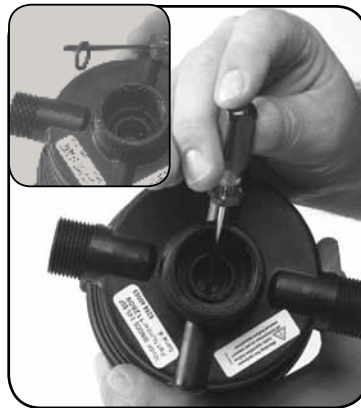
Step 2.
1/4 turn to remove #51 SHAFT ASSEMBLY



Step 3.
Remove #16 Gasket.



Step 4.
Remove #82 SHAFT SEAL SPACER.



Step 5.
Remove #17 O-ring.



Step 6.
Replace #17 O-ring.



Step 7.
Replace #82 SHAFT SEAL SPACER and #16 Gasket.

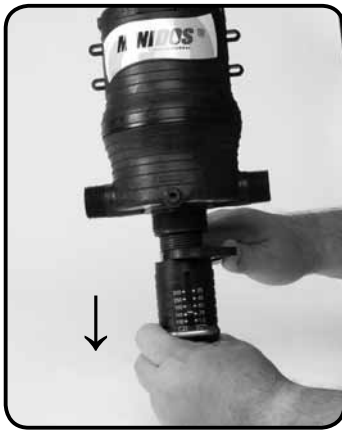


Step 8.
Replace #51 SHAFT ASSEMBLY.



Step 9.
Screw #7 OUTER CYLINDER onto body.

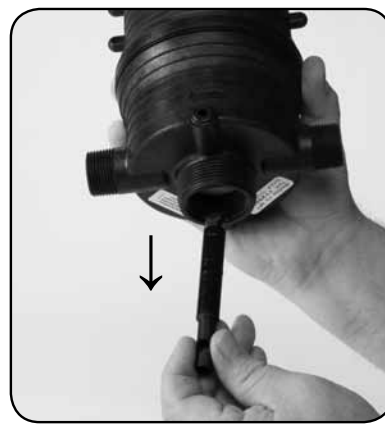
Routine Maintenance Instructions 1%



Step 1.
Unscrew #7 OUTER CYLINDER from body.



Step 2.
1/4 turn to unlock and remove #51 LOWER SHAFT and replace.



Step 3.
Remove #52 UPPER SHAFT.



Step 4.
Remove and clean #16 GASKET and #82 SEAL SPACER.



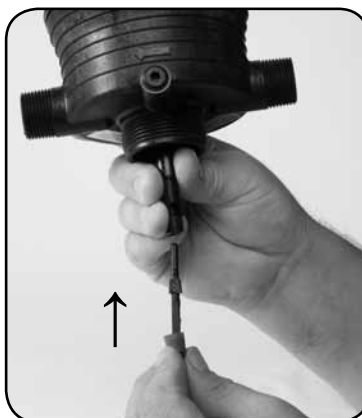
Step 5.
Remove #17 O-ring and replace.



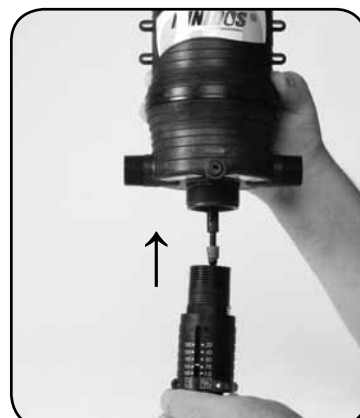
Step 6.
After replacing #82 SEAL SPACER and #18 GASKET, replace #52 UPPER SHAFT. Turn 1/4 turn to lock in place.



Step 7.
Re-install #82 SEAL SPACER and #16 GASKET.



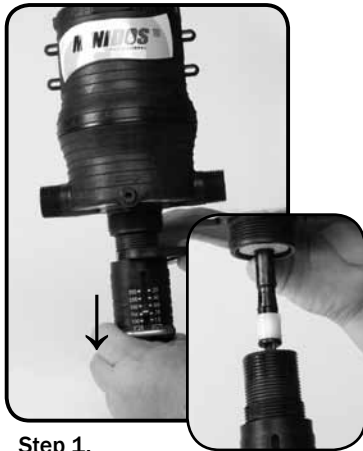
Step 8.
Reinstall lower shaft with new dosage piston and turn 1/4 turn to lock.



Step 9.
Screw #7 OUTER CYLINDER onto body.

Routine Maintenance Instructions 2.5% & 5%

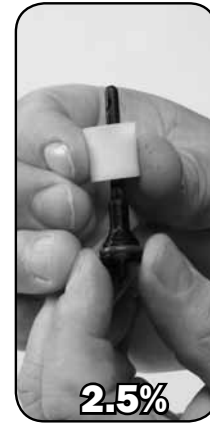
English



Step 1.
Unscrew #7 OUTER CYLINDER
from body.



Step 2.
Rotate #51 or #52 SHAFT 90°
and remove.



Step 3.
Replace #44 DOSAGE PISTON thin
lips up. Clean & inspect #14 O-ring
replace if necessary.



Step 4.
Remove & Clean seal areas #16
& #82.



Step 5.
Replace #17 O-ring.



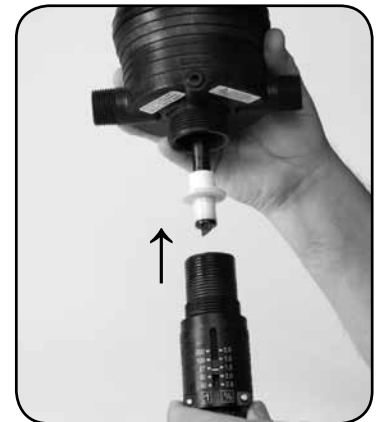
Step 6.
Re-install #52 UPPER SHAFT
and #17 O-ring.



Step 7.
Re-install #16 GASKET and #82
SEAL SPACER

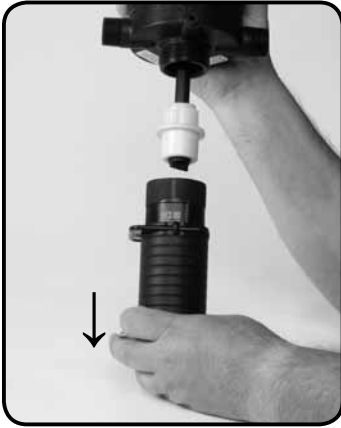


Step 8.
Reinstall lower shaft with new
dosage piston by turning 90°
to lock in place.



Step 9.
Screw #7 OUTER CYLINDER
onto body.

Routine Maintenance Instructions 10%



Step 1.
Unscrew #7 OUTER CYLINDER
from body.



Step 2.
1/4 turn and remove #52 SHAFT,
#16 GASKET and #15 RETAINER.



Step 3.
Remove #83 SHAFT SEAL
SPACER.



Step 4.
Remove #17 O-ring and replace.



Step 5.
Replace #83 SHAFT SEAL
SPACER.



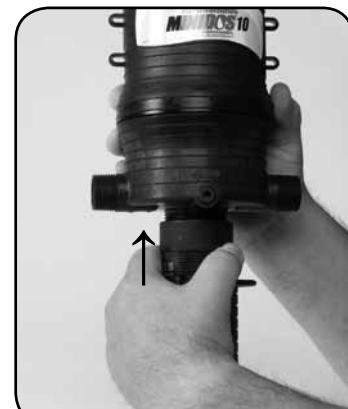
Step 6.
Squeeze ears on shaft and
remove #44 DOSAGE PISTON.



Step 7.
Replace #44 DOSAGE PISTON
thin lips up (towards the top of
the shaft).

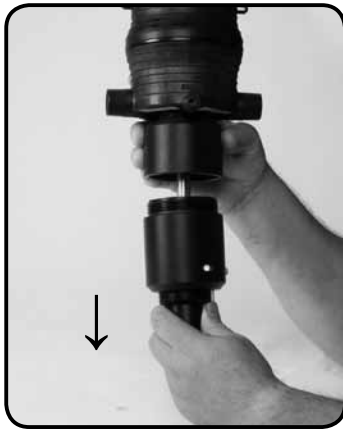


Step 8.
Re-install #52 SHAFT with #16
GASKET, #15 RETAINER.



Step 9.
Screw #7 OUTER CYLINDER
onto body.

Routine Maintenance Instructions 20%



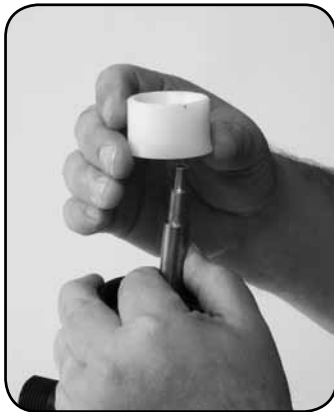
Step 1.
Unscrew #61 OUTER CYLINDER from body.



Step 2.
Unscrew to unlock and remove #93 CAPSCREW.



Step 3.
Remove #73 DOSAGE PISTON GUIDE, clean and inspect #14 O-ring.



Step 4.
Remove #44 DOSAGE PISTON.



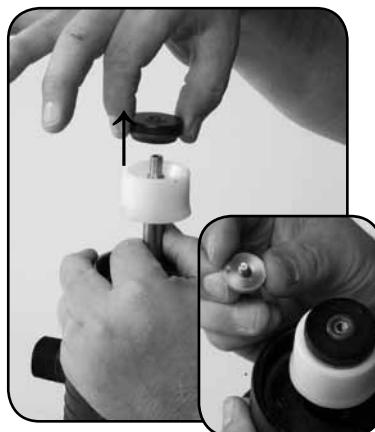
Step 5.
Unscrew and remove #72 ADAPTER as well as #68 O-ring, #15 SEAL RETAINER. Clean and replace if damaged or worn.



Step 6.
Remove and replace #17 O-ring. Re-install #83 SHAFT SEAL SPACER and #15 SEAL RETAINER.



Step 7.
Reset #68 O-ring and screw #72 ADAPTER onto body.



Step 8.
Replace #73 DOSAGE PISTON GUIDE and #44 DOSAGE PISTON.



Step 9.
Screw #61 OUTER CYLINDER onto body.

Troubleshooting

New Install - Always Pressure Up Slowly (Follow start up on page 9)

Problem	Cause	Solution
No Clicking Sound	Fluid not flowing through unit	<p>Are the red plugs at the inlet, outlet and suction tube fitting openings removed?</p> <p>Is the unit installed backward? The arrow on the unit must point in the direction of the fluid flow.</p> <p>Has the new injector been stored for an extended period. If so, submerge the injector in room temperature water for 24 hours so that the working parts can reabsorb fluid and swell back to the proper size.</p> <p>If still not clicking, do not open the upper body. Call Dosmatic Customer Service.</p>
	Fluid flowing through unit	<p>Fluid rate is below or exceeds rated service flow of injector. (See Specifications page 6).</p> <p>If below increase flow rate, if above, reduce flow rate.</p> <p>Operating pressure exceeds maximum limit. Install a pressure reducer valve. (See Specifications for maximum flow rate page 6).</p> <p>On/Off Lever in off position. Place the On/Off lever switch to the ON position. By-Pass Valve not closed. Check and set valve to the OFF position.</p>

Injector in Operation or After Scheduled Maintenance

Problem	Cause	Solution
No Clicking Sound	Main Piston Assembly #9 worn	Replace # 9 Main Piston Assembly. Clean fluid filter.
	Cover #1 or main body #40 worn or scored	Replace and install or clean fluid filter.
	On/Off Lever in off position	Place the On/Off lever switch to the ON position.
	By-Pass Valve not closed	Set Valve to the closed position.
	Dirty or plugged inlet filter	Ensure mesh size is correct for proper filtration. Clean filter.
	#17 Worn or not seated properly	Re-seat #17 or replace.

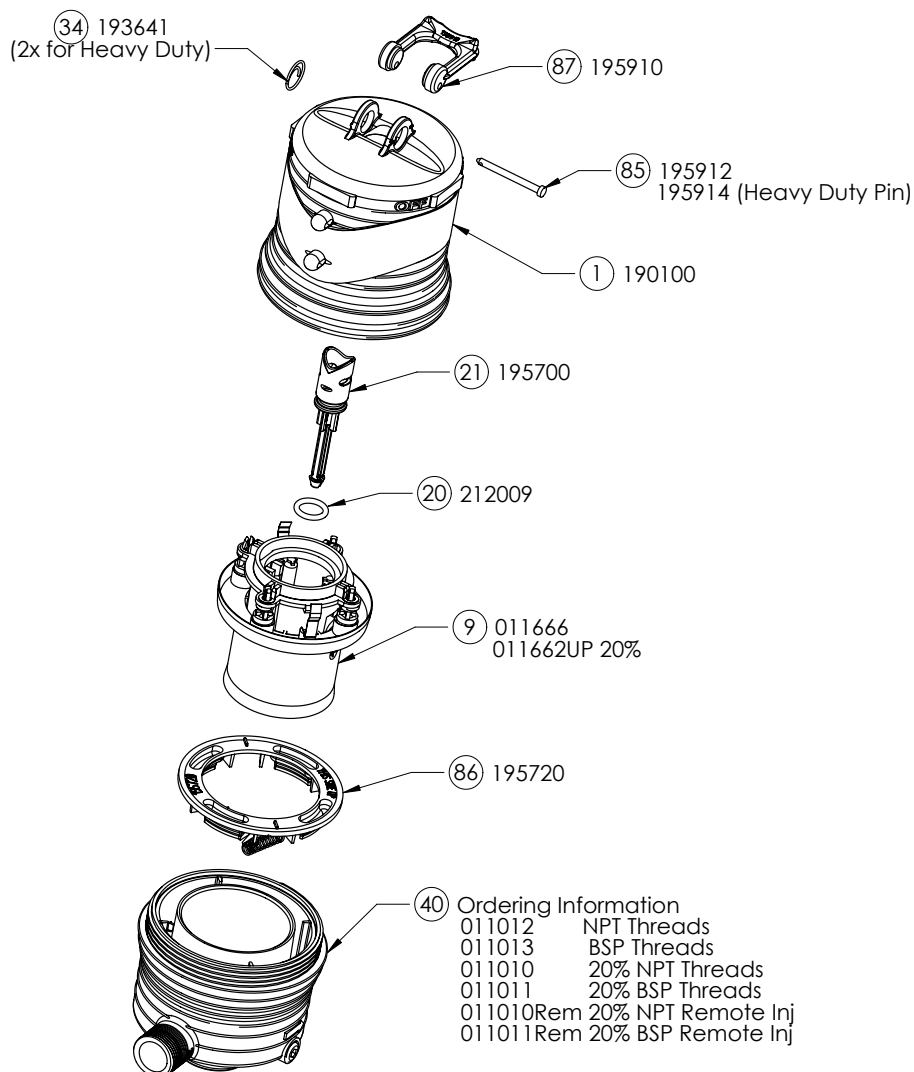
Problem	Cause	Solution
Clicking Sound No Suction Of Solution	Suction tube #25 (#60 - 20%) or suction tube fitting #11 cracked, loose, leaking or clogged suction tube filter.	Check for proper fit, replace and/or clean as necessary.
	Dosage piston #44 worn or installed incorrectly, inner cylinder #37 (#68 - 1% & #7 - 20%) worn	Replace. Ensure during maintenance replacement that #44 dosage piston was installed correctly flared-end up.
	O-ring retainer #82 (#15 - 10% & 20%) installed incorrectly	Install correctly.
	O-ring seat #14 or dosage piston #44 damaged or worn	Replace, on 0.4% models replace #51 Shaft Assembly.
	Check valve #13 (#60 - 20%) leaking.	Clean & replace as necessary.

Problem	Cause	Solution
Clicking Sound. Under Injecting	#44 Dosage Piston worn	Replace, on 0.4% models replace #51 Shaft Assembly.
	#37 (#7 - 20%) Inner Cylinder worn	Replace.
	Unit operates at high-flow and not at low flow	Replace #17 O-ring.
	Main Piston Assembly #9 worn	Replace # 9 Main Piston Assembly. Clean fluid filter.
	Cover #1 or main body #40 worn or scored	Replace and install or clean fluid filter.

Problem	Cause	Solution
Fluid Re-filling Solution Tank	Check valve #13 leaking	Check seat area on suction tube fitting #11. Check valve and seal must fit loose in the suction tube fitting. Clean seal and inside fitting for debris.
	Washer seal on #13 is swollen or chemical attack	Replace with new check valve assembly.
	Hose Kit #60 (20%) leaking	Replace

Injector Repair Parts

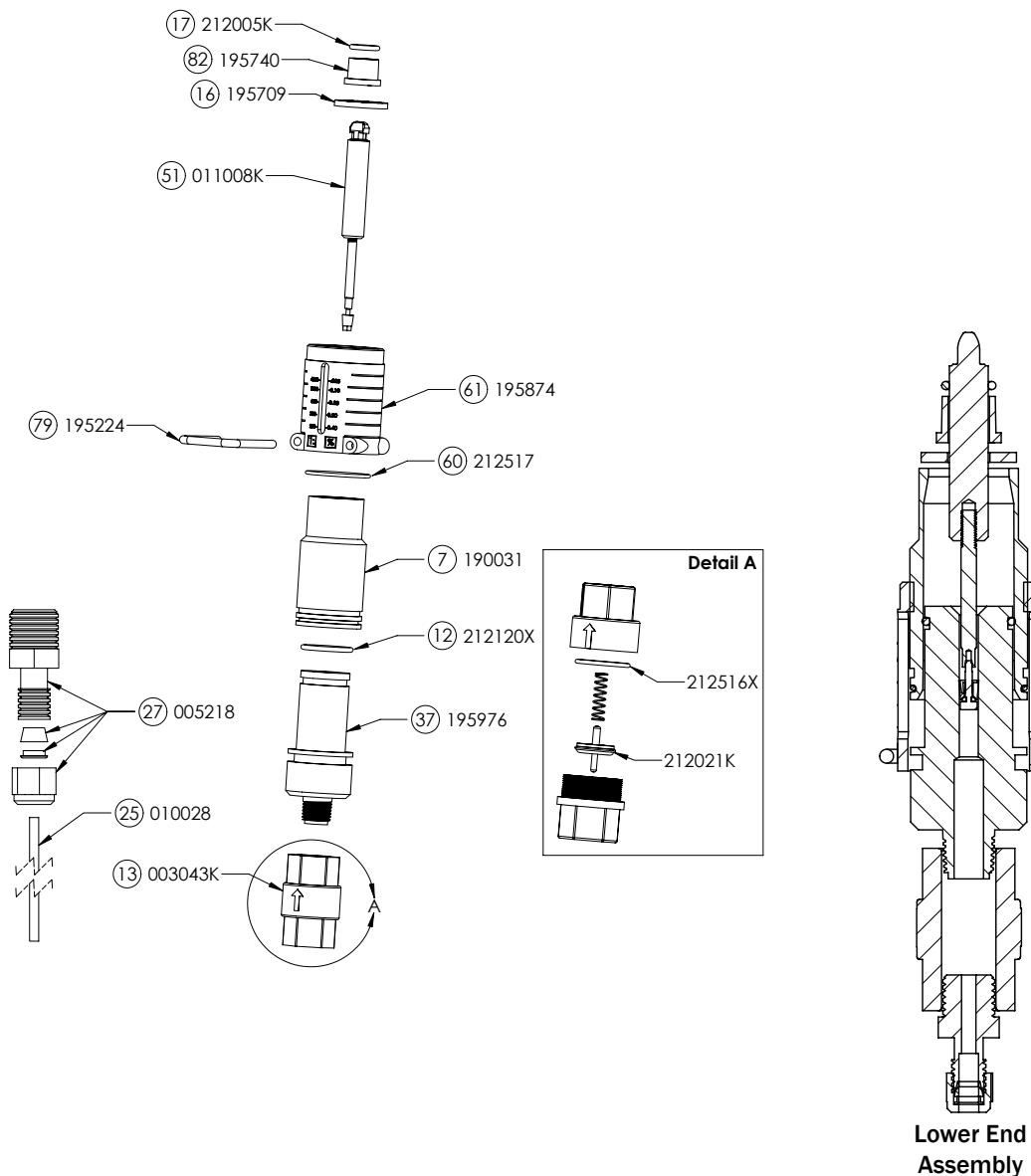
Reference #	Part #	Description
1	190100	Upper Body
9	011666 011662UP 20%	Motor Piston
20	212009	O-ring
21	195700	Bypass Shaft
34	193641	Cotter Ring
40	011012 011013 011010 011011 011010REM 011011REM	NPT Lower Body BSP Lower Body 20% NPT 20% BSP 20% NPT Remote Inject 20% BSP Remote Inject
85	195912 195914 (Heavy Duty Pin)	Upper Shaft Pin
86	195720	Mixing Chamber Gasket
87	195910	On/Off Handle



Lower end injector & wear parts kits 0.4% PAA:

Kit A - Wear Parts Kit (dosage piston/ lower shaft assy, and O-ring)	011109K	17, 51
Kit C - Wear Parts Kit (Kit A, inner cylinder and O-ring)	011110K	12, 17, 37, 51
Kit D - Suction Tube Fitting Assy (poppet, O-ring, fitting, spring)	011111K	13, 27
Kit E - Wear Parts Kit (Kits C & D, upper shaft)	011112K	12, 16, 17, 37, 51
Kit G - Lower End Kit, complete (Kit E, outer cylinder, ratio adjuster, O-ring, retainer clip, pin, retainer, filter, solution tube)	011113K	7, 12, 13, 16, 17, 25, 27, 37, 51, 60, 61, 79, 82
Kit H - Motor Piston Assy (upper end kit)	011662S	9, 20, 21
Kit I - Remote Injection Kit	011762 (Viton) 011764 (EPDM)	Not Shown
Kit M - Mounting Bracket Kit (mounting bracket, 4 hex caps & nuts)	011732	54, 55

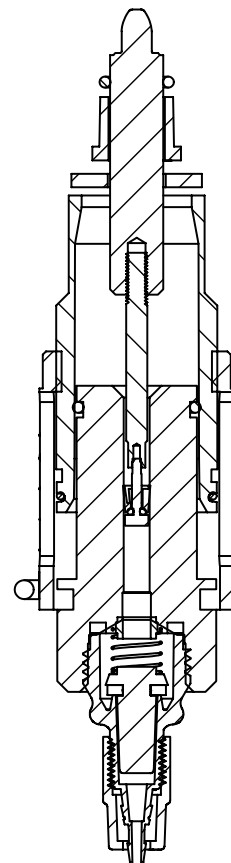
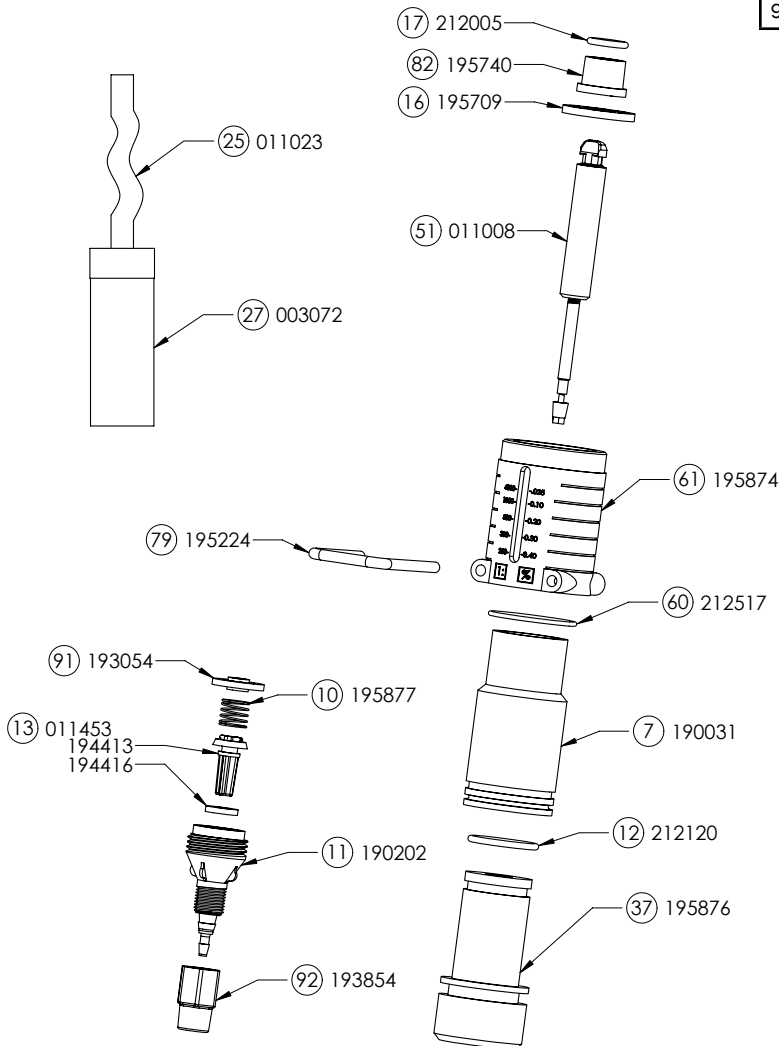
Manual Reference	Part #	Description of Part
7	190031	Minidos Outer Cylinder
12	212120X	O-ring
13	003043K	Check Poppet W/Washer
16	195709	Gasket
17	212005K	O-ring
25	010028	Suction Tube 1/8" X 3'
27	005218	1/4"OD x 1/8"ID Compression x 3/8" NPT Male
37	195976	Minidos 0.4% Inner Cylinder
51	011008K	Minidos 0.4% Shaft Assembly
60	212517W	O-ring
61	195874	Minidos 0.4% Ratio Adjuster
79	195224	Interlock Pin
82	195740	Shaft Seal Spacer



Lower end injector & wear parts kits 0.4%:

Kit A - Wear Parts Kit (dosage piston/lower shaft assy, and O-ring)	011109V	17, 51
Kit C - Wear Parts Kit (Kit A, inner cylinder and O-ring)	011110V	12, 17, 37, 51
Kit D - Suction Tube Fitting Assy (poppet, O-ring, fitting, spring)	011111	10, 11, 13, 91
Kit E - Wear Parts Kit (Kits C & D, upper shaft)	011112V	10, 11, 12, 13, 16, 17, 37, 51,
Kit G - Lower End Kit, complete (Kit E, ratio adjuster, O-rings, pin, filter, solution tube)	011113V	7, 10, 11, 12, 13, 16, 17, 25, 27, 37, 51, 60, 61, 82, 91, 92
Kit H - Motor Piston Assy (upper end kit)	011662S	9, 20, 21
Kit I - Remote Injection Kit	011762 (Viton) 011764 (EPDM)	Not Shown
Kit M - Mounting Bracket Kit (mounting bracket, 4 hex caps & nuts)	011732	54, 55

Ref. #	Part #	Description of Part
7	190031	Minidos Outer Cylinder
10	195877	Minidos 0.4% Spring
11	190202	Suction Tube Fitting, 1/8"
12	212120	O-ring
13	011453A	Check Poppet W/Washer
16	195709	Gasket
17	212005	O-ring
25	011023	Suction Tube 1/8" X 3'
27	003072	Filter For Suction Tube 1/8"
37	195876	Minidos 0.4% Inner Cylinder
51	011008	Minidos 0.4% Shaft Assy
60	212517W	O-ring
61	195874	Minidos 0.4% Ratio Adjuster
79	195224	Interlock Pin
82	195740	Shaft Seal Spacer
91	193054	Seal, Check Valve
92	193854	Hose Nut 1/8"

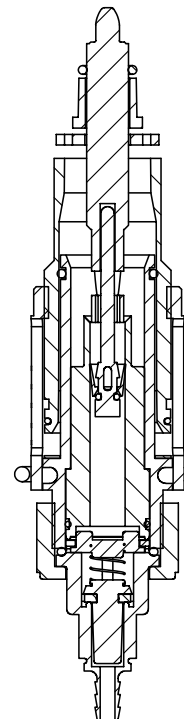
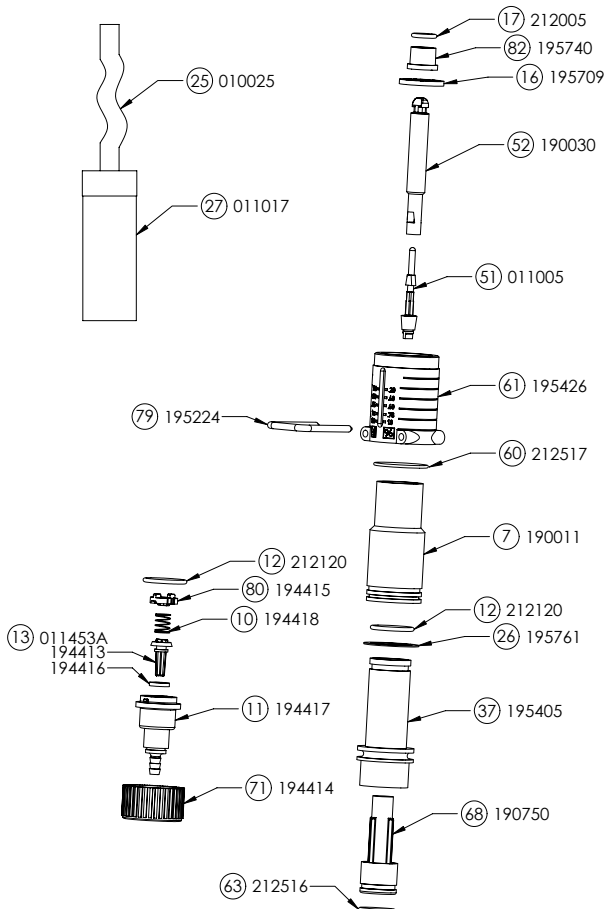


Lower End Assembly

Lower end injector & wear parts kits 1%:

Kit A - Wear Parts Kit (dosage piston, O-ring)	011071V	17, 51
Kit C - Wear Parts Kit (Kit A, inner cylinder, O-ring)	011072V	17, 51, 63, 68
Kit D - Suction Tube Fitting Assy (poppet, O-ring, spring, fitting)	011046V	10, 11, 12, 13, 80
Kit E - Wear Parts Kit (Kits C & D, upper shaft)	011073V	10, 11, 12, 13, 16, 17, 51, 52, 63, 68, 80
Kit G - Lower End Cylinder Kit (Kit E, outer cylinder, ratio adjuster, O-rings, pin, filter, solution tube)	011068V	7, 10, 11, 12, 13, 16, 17, 25, 26, 27, 37, 51, 52, 60, 61, 63, 68, 71, 79, 80, 82
Kit H - Motor Piston Assy	011662S	9, 20, 21
Kit I - Remote Injection Kit	011762 (Viton) 011764 (EPDM)	Not Shown
Kit M - Mounting Bracket Kit (mounting bracket, 2 pins)	011732	54, 55

Manual Reference	Part #	Description of Part
7	190011	Cylinder, Outer
10	194418H	Spring
11	194417	Suction Tube Fitting
12	212120 *Must specify material	O-ring
13	011453A	Check Poppet W/Washer
16	195709	Gasket
17	212005 *Must specify material	O-ring
25	010025	Suction Tube, ¼" X 5'
26	195761	Anti Lock Gasket
27	011017	Filter For Suction Tube, ¼" Id
37	195405	Inner Cylinder
51	011005	Lower Shaft Assembly
52	190030	Shaft, Upper
60	212517W	O-ring
61	195426	Ratio Adjuster
63	212516 *Must specify material	O-ring, Inner Cylinder
68	190750	Inner Cylinder For #37
71	194414	Nut, Suction Tube Fitting
79	195224	Interlock Pin
80	194415	Twistlock
82	195740	Shaft Seal Spacer

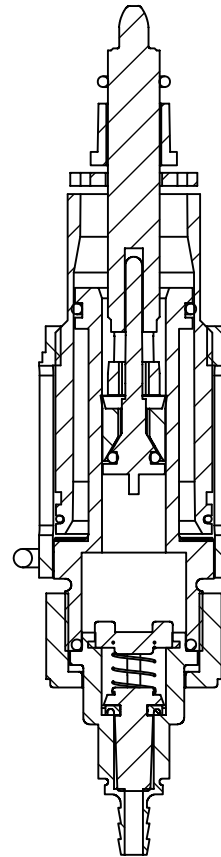
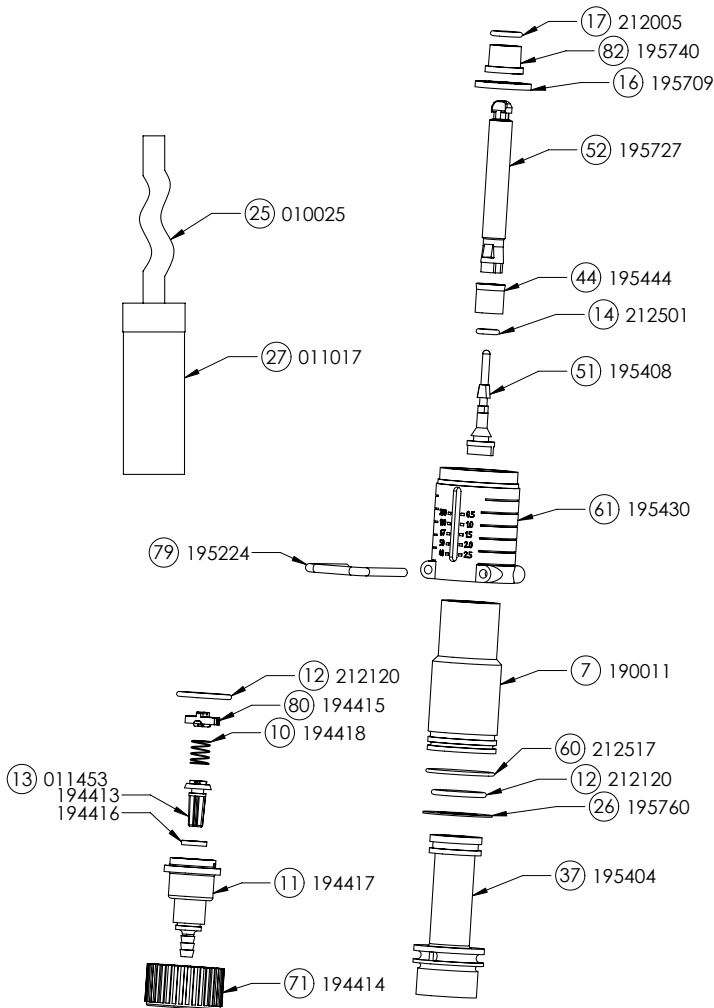


Lower End Assembly

Lower end injector & wear parts kits 2.5%:

Kit A - Wear Parts Kit (dosage piston, O-ring)	011055V	14, 17, 44
Kit B - Wear Parts Kit (Kit A, shaft)	011044V	14, 17, 44, 51
Kit C - Wear Parts Kit (Kit A, inner cylinder, O-ring)	011045V	12, 14, 17, 37, 44
Kit D - Suction Tube Fitting Assy (poppet, O-ring, spring, fitting)	011057V	10, 11, 12, 13, 80
Kit E - Wear Parts Kit (Kits C & D, upper & lower shaft, gasket)	011089V	10, 11, 12, 13, 14, 16, 17, 37, 44, 51, 52, 80
Kit G - Lower End Complete Kit (Kit E, outer cylinder, ratio adjuster, O-rings, pin, filter, solution tube)	011047V	7, 10, 11, 12, 13, 14, 16, 17, 25, 26, 27, 37, 44, 51, 52, 60, 61, 71, 79, 80, 82
Kit H - Motor Piston Assy	011662S	9, 20, 21
Kit I - Remote Injection Kit	011762 (Viton) 011764 (EPDM)	Not Shown
Kit M - Mounting Bracket Kit (mounting bracket, 2 pins)	011732	54, 55

Ref. #	Part #	Description of Part
7	190011	Cylinder, Outer
10	194418H	Spring
11	194417	Suction Tube Fitting
12	212120 *Must specify material	O-ring
13	011453A	Check Poppet W/Washer
14	212501 *Must specify material	O-ring
16	195709	Gasket
17	212005 *Must specify material	O-ring
25	010025	Suction Tube, 1/4" X 5'
26	195760	Anti Lock Gasket
27	011017	Filter For Suction Tube, 1/4" Id
37	195404	Inner Cylinder
44	195444P	Dosage Piston
51	195408	Shaft, Lower
52	195727	Shaft, Upper
60	212517W	O-ring
61	195430	Ratio Adjuster
71	194414	Nut, Suction Tube Fitting
79	195224	Interlock Pin
80	194415	Twistlock
82	195740	Shaft Seal Spacer

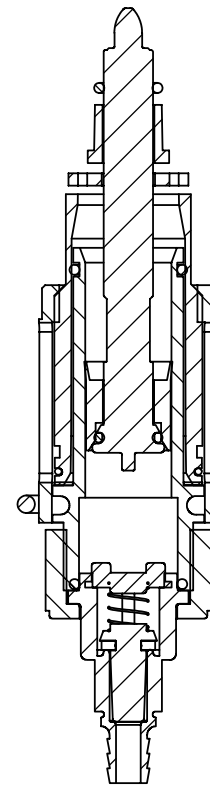
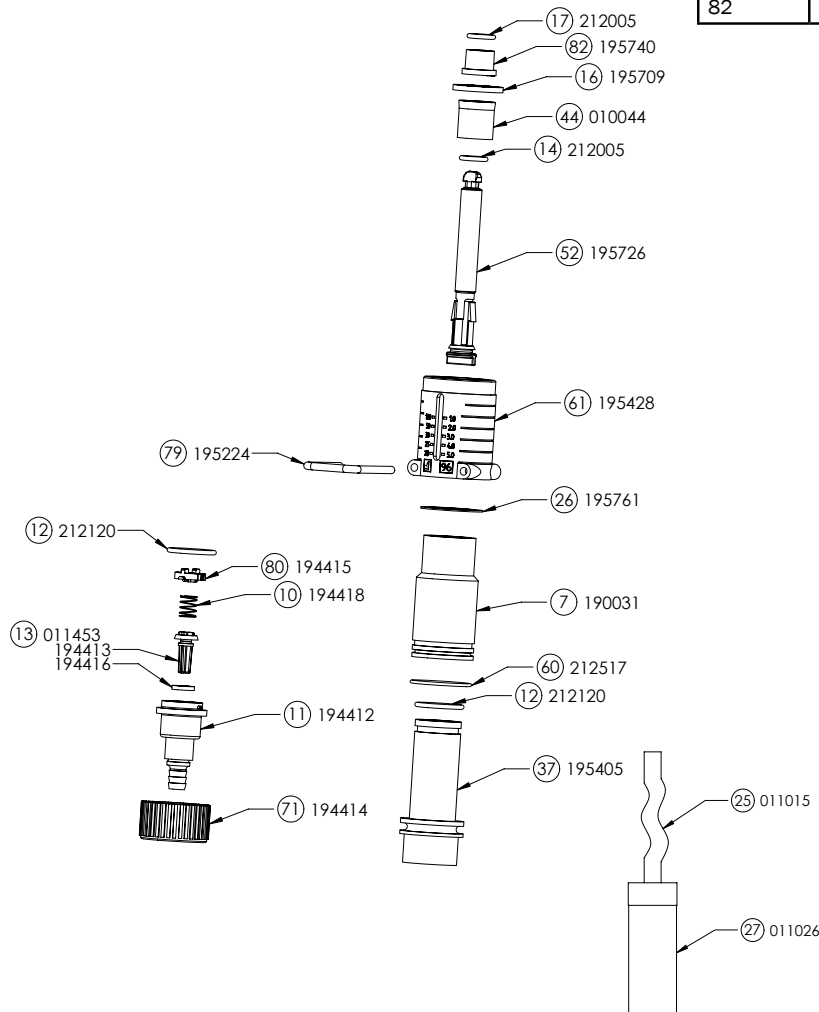


Lower End Assembly

Lower end injector & wear parts kits 5%:

Kit A - Wear Parts Kit (dosage piston, O-ring)	011076V	14, 17, 44
Kit B - Wear Parts Kit (Kit A, shaft)	011077V	14, 17, 44, 52
Kit C - Wear Parts Kit (Kit A, inner cylinder, O-ring)	011074V	12, 14, 17, 37, 44
Kit D - Suction Tube Fitting Assy (poppet, washer, O-ring, spring, fitting)	011079V	10, 11, 12, 13, 80
Kit E - Wear Parts Kit (Kits C & D, inner cylinder, 2nd inner cylinder, shaft, pin, gasket)	011080V	10, 11, 12, 14, 13, 16, 17, 37, 44, 52, 80
Kit G - Lower End Complete Kit (Kit E, outer cylinder, ratio adjuster, O-rings, pin, filter, solution tube)	011081V	7, 10, 11, 12, 13, 14, 16, 17, 25, 26, 27, 37, 44, 52, 60, 61, 71, 79, 80, 82
Kit H - Motor Piston Assy (upper end kit)	011662S	9, 20, 21
Kit I - Remote Injection Kit	011762 (Viton) 011764 (EPDM)	Not Shown
Kit M - Mounting Bracket Kit (mounting bracket, 2 pins)	011732	54, 55

Ref. #	Part #	Description of Part
7	190031	Cylinder, Outer
10	194418H	Spring
11	194412	Fitting, Suction Tube, 3/8"
12	212120	O-ring
13	011453A	Check Poppet W/Washer
14	212005	O-ring
16	195709	Gasket
17	212005	O-ring
25	011015	Suction Tube, 3/8" X 5'
26	195761	Anti Lock Gasket
27	011026	Filter For Suction Tube, 3/8" Id
37	195405	Inner Cylinder
44	010044P	Dosage Piston
52	195726	Shaft
60	212517W	O-ring
61	195428	Ratio Adjuster
71	194414	Nut, Suction Tube Fitting
79	195224	Interlock Pin
80	194415	Twistlock
82	195740	Shaft Seal Spacer

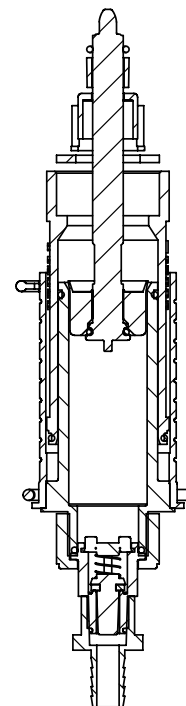
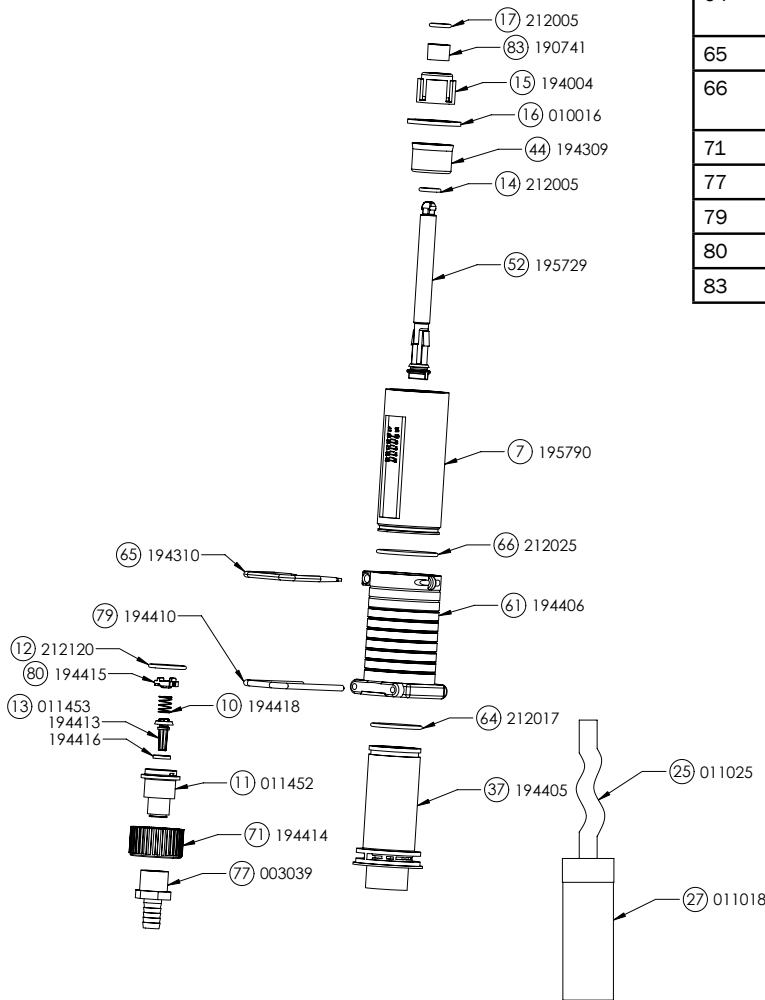


Lower End Assembly

Lower end injector & wear parts kits 10%:

Kit A - Wear Parts Kit (dosage piston, O-ring)	011082V	14, 17, 44
Kit B - Wear Parts Kit (Kit A, shaft)	011083V	14, 17, 44, 52
Kit C - Wear Parts Kit (Kit A, inner cylinder, O-ring)	011084V	14, 17, 37, 44, 64
Kit D - Suction Tube Fitting Assy (poppet, O-ring, spring, fitting)	011085V	10, 11, 12, 13, 77, 80
Kit E - Wear Parts Kit (Kits C & D, inner cylinder, shaft, gasket)	011087V	10, 11, 12, 13, 14, 16, 17, 37, 44, 52, 64, 77, 80
Kit G - Lower End Cylinder Kit (Kit E, outer cylinder, ratio adjuster, O-rings, retainer clip, retainer, pin, filter, solution tube)	011088V	7, 10, 11, 12, 13, 14, 15, 16, 17, 25, 27, 37, 44, 52, 61, 64, 65, 66, 71, 77, 79, 80, 83
Kit H - Motor Piston Assy	011662S	9, 20, 21
Kit I - Remote Injection Kit	011762 (Viton) 011764 (EPDM)	Not Shown
Kit M - Mounting Bracket Kit (mounting bracket, 2 pins)	011732	54, 55

Manual Reference	Part #	Description of Part
7	195790	Cylinder, Outer
10	194418H	Spring
11	011452	Suction Tube Fitting
12	212120 *Must specify material	O-ring
13	011453A	Check Poppet W/Washer
14	212005 *Must specify material	O-ring
15	194004	Seal Retainer, O-ring
16	010016S	Gasket
17	212005 *Must specify material	O-ring
25	011025	Suction Tube, 1/2" X 5'
27	011018	Filter For Suction Tube, 1/2" Id
37	194405P	Inner Cylinder
44	194309	Dosage Piston
52	195729	Shaft
61	194406P	Ratio Adjustment Sleeve
64	212017 *Must specify material	O-ring, Inner Cylinder, Lower End
65	194310D	Interlock Pin
66	212025 *Must specify material	O-ring, Outer Cylinder, Lower End
71	194414	Nut, Suction Tube Fitting
77	003039	Hose Barb 1/2" X 3/8"
79	194410SS	Retainer Clip Bottom
80	194415	Twistlock
83	190741	Shaft Seal Spacer

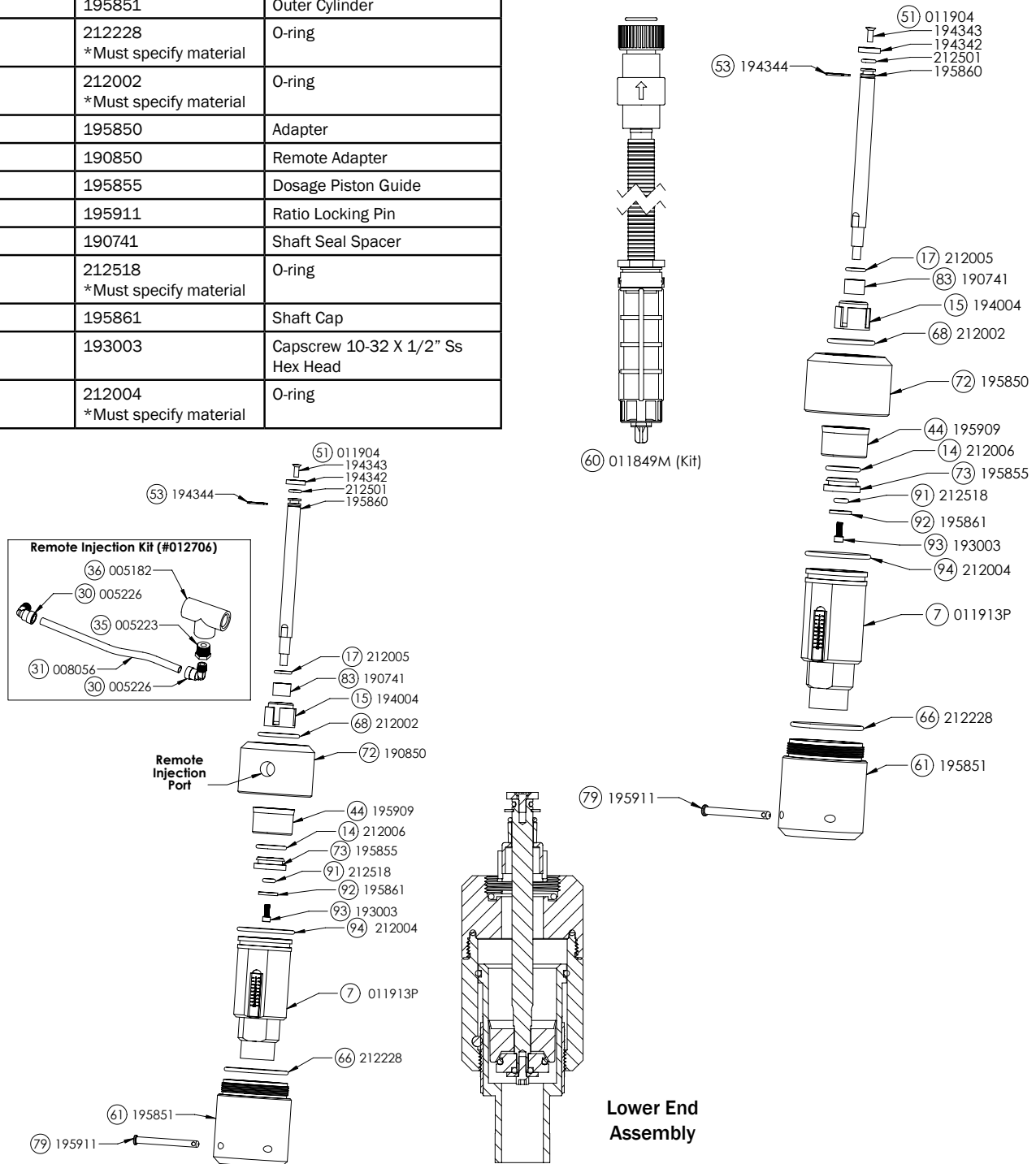


Lower End Assembly

Lower end injector & wear parts kits 20%:

Manual Reference	Part #	Description of Part
7	011913P	Inner Cylinder
14	212006 *Must specify material	O-ring
15	194004	Seal Retainer O-ring (Retainer Quad Ring)
17	212005 *Must specify material	O-ring
44	195909	Dosage Piston
51	011904	Shaft Assy
53	194344	Klipring
60	011849M *Must specify material	Hose Kit
61	195851	Outer Cylinder
66	212228 *Must specify material	O-ring
68	212002 *Must specify material	O-ring
72	195850	Adapter
72	190850	Remote Adapter
73	195855	Dosage Piston Guide
79	195911	Ratio Locking Pin
83	190741	Shaft Seal Spacer
91	212518 *Must specify material	O-ring
92	195861	Shaft Cap
93	193003	Capscrew 10-32 X 1/2" Ss Hex Head
94	212004 *Must specify material	O-ring

Kit A – Wear Parts Kit (dosage piston, O-ring)	011105V	14, 17, 44,
Kit B - Hose Kit	011849M	60
Kit C – Wear Parts Kit (Kit A, O-rings)	011106V	7, 14, 17, 44, 66, 68, 91, 94
Kit H – Motor Piston Assy (upper end kit)	011662UPS	9, 20, 21
Kit I - Remote Injection Kit (pg. 24)	012706	30, 31, 35, 36, 72
Kit M – Mounting Bracket Kit (mounting bracket, 2 pins)	011732	54, 55



Warranty



Congratulations on Your Purchase

We make the best and most reliable fluid-driven injectors available. Our warranty provides the best coverage in the industry. Dosmatic will provide for replacement of all parts proven to be defective in material or workmanship from the date of purchase for the following periods:

3 years	The cover and body
2 years	The motor piston assembly
1 year	The lower end (Chemical pump)

Dosmatic products are warranted to be free from defects in materials and workmanship for the above time frames. Dosmatic will at its sole option repair or replace any component that fails in normal use. Any repairs made under warranty shall not extend the initial warranty period.

To Maintain Your Warranty

Your only responsibility is ordinary maintenance - filtering incoming fluid, replacing the O-ring and dosage piston when worn. Seals and O-rings are not covered under the warranty.

This warranty is not valid if the defects are found to be due to the product's misuse, lack of maintenance, fluid impurities such as sand or iron, defective installation,
continued...

freezing, fluid hammer, abuse, unwanted side effects due to the chemicals you choose to inject or service provided by anyone who is not an authorized service provider. Dosmatic declines any responsibility if the product is not used in compliance with the operating instructions and specifications as indicated in this owner's manual.

Warranty may be void if injector body is disassembled. If you suspect you are having a problem in the motor piston assembly or inside the body please contact Dosmatic or any authorized repair center to arrange to send the injector in to be evaluated and/or repaired.

IN NO EVENT SHALL DOSMATIC BE LIABLE FOR ANY INCIDENTAL, SPECIAL; INDIRECT, OR CONSEQUENTIAL DAMAGES, WHETHER RESULTING FROM THE USE, MISUSE OR INABILITY TO USE THIS PRODUCT OR FROM DEFECTS IN THE PRODUCT.

There is no warranty expressed or implied relating in any way to products used in conjunction with Dosmatic.

Dosmatic or authorized distributor shall not be liable for incidental or consequential damage, such as any economic loss. Dosmatic retains the exclusive right to repair or replace the product. Such remedy shall be your sole and exclusive remedy for any breach of warranty. There are no warranties, expressed or implied, which extend beyond those described above.

To Return an injector for Warranty or Non-Warranty repair:

See page 3 for Dosmatic country contact information.

1. Thoroughly flush the injector with water of any chemical and drain. Ensure proper packing for shipment.
2. To EXPEDITE warranty evaluation and repair or non-warranty product repair, please include the following: a copy of the original invoice, serial number of the unit, chemical used, contact information and a Return Authorization (RA) number, contact your country's Dosmatic Customer Service to obtain.
3. Send freight prepaid and ship to Dosmatic or your local distributor. For the name of your local distributor or if returning to Dosmatic, contact your country's Dosmatic Customer Service.
4. For a WARRANTED injector: upon inspection and determination that the unit has defects in materials or workmanship, the unit will be repaired or replaced at Dosmatic's option, free of charge and shipped back freight prepaid.
5. For a NON-WARRANTED injector: upon inspection Dosmatic or a local distributor will call the customer with a repair estimate.

Français

SOMMAIRE

Principe De Fonctionnement	27
Contenu Des Boites	28
Spécifications	28
Mesures De Sécurité	29
Respect de la Garantie	29
Conseils Généraux	29
Fonctionnement	30
Installation Et Mise En Marche	31
Conseil schéma d'installation	31
Entretien	32
Injection Extérieure	32
Instructions pour l'entretien courant 0.4%	33
Instructions pour l'entretien courant 1%	34
Instructions pour l'entretien courant 2.5% & 5%	35
Instructions pour l'entretien courant 10%	36
Instructions pour l'entretien courant 20%	37
Diagnostic Des Anomalies	38
Garantie	39

Veillez lire ce manuel attentivement avant de mettre en marche la pompe.

Ce livret vous donne les informations dont vous aurez besoin pour utiliser et prendre soin de la pompe Dosmatic. Si vous avez d'autres questions sur la garantie, l'entretien quotidien ou sur le simple usage de l'appareil, veuillez contacter votre distributeur le plus proche ou le service après vente de Dosmatic.

Ces modèles sont fabriqués pour injecter des produits chimiques liquides ou solubles qui sont appropriés et qui acceptent des injections pour des systèmes hydrauliques

Il est de la responsabilité de l'utilisateur de déterminer les paramètres de dosages corrects de l'appareil grâce aux recommandations du fabricant de produits chimiques qui les distribuent et de s'assurer qu'un dosage correct est respecté.

Entretien et garantie

Dosmatic offre une garantie limitée de 3 ans à compter de la date d'achat de l'appareil et le couvre uniquement contre les défauts de fabrication ou les composants défectueux. Si vous l'entretenez et l'utilisez soigneusement, votre injecteur aura une durée de vie plus longue. Vous trouverez toutes les informations sur la garantie à la page 39.

Pour votre information

Les numéros de séries Dosmatic sont écrits seulement sur le corps de pompe. Veuillez écrire ce numéro dans l'espace ci-dessous et l'indiquer lorsque vous appellerez votre distributeur ou la société Dosmatic pour obtenir des informations, pièces détachées ou autres services.

N° de série.....

Date d'achat

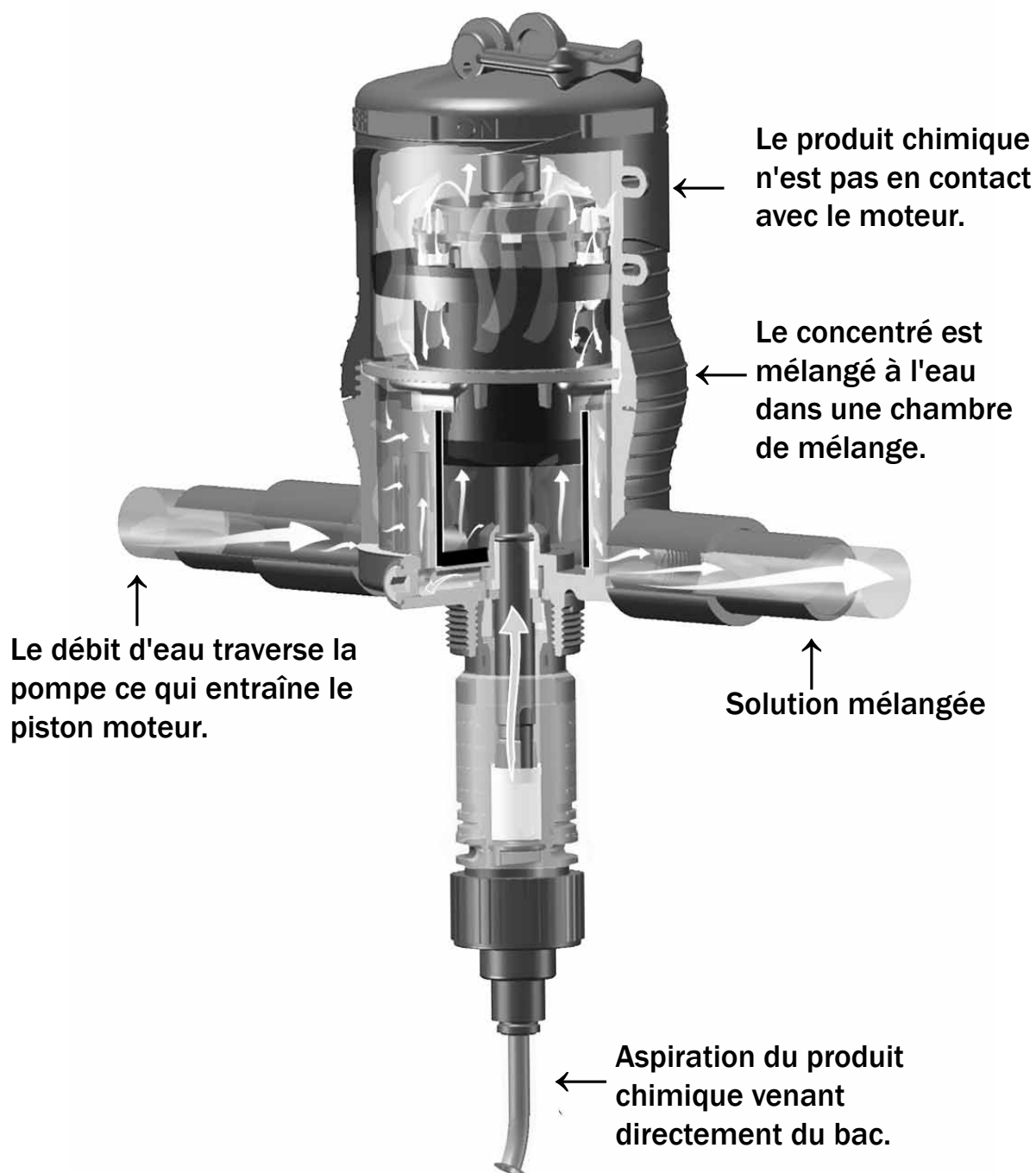
IMPORTANT :
Pour l'enregistrement des produits, visiter notre site internet www.dosmatic.com afin de remplir le formulaire d'enregistrement!

Ce document ne constitue pas un engagement contractuel de la part de Dosmatic et il est à titre d'information seulement. Dosmatic se réserve le droit de modifier les données ou l'aspect du produit sans préavis.*

Principe De Fonctionnement

Précis et Fiable

Directement installée sur le réseau d'eau, la pompe doseuse Dosmatic fonctionne sans électricité, utilisant la pression d'eau comme unique force motrice. L'eau actionne la pompe doseuse, qui aspire le pourcentage désiré de concentré directement depuis son contenant. Dans la chambre de mélange brevetée, le concentré est alors mélangé à l'eau, puis le mélange parfaitement homogénéisé est alors expulsé en sortie de pompe. Le volume du concentré du concentré sera toujours proportionnel au volume d'eau entrant dans la pompe, et ce quelles que soient les variations de débit ou de pression.



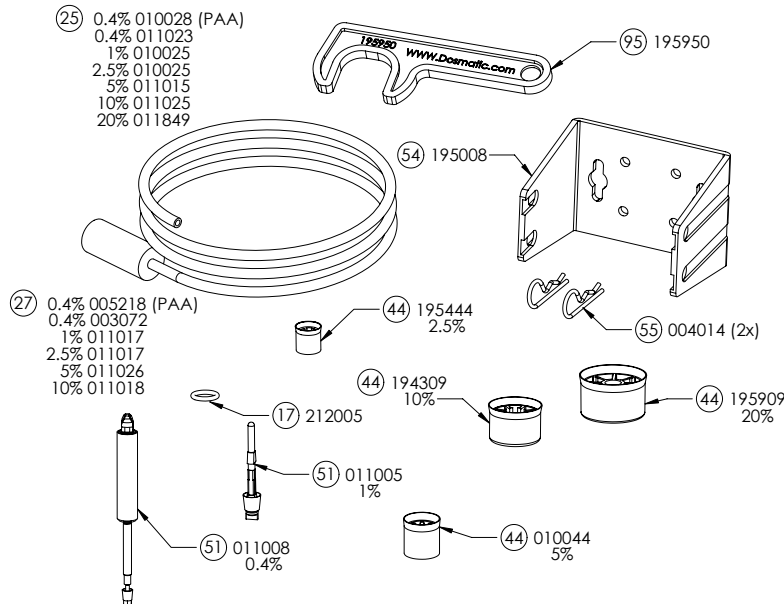
Contenu Des Boites

La pompe est livrée avec les articles suivants:

Pompe Dosmatic (non indiquée)
 Piston Doseur
 Joint
 Manuel (non indiqué)
 Réduire l'assemblage du corps

Support
 Écrous De Fixation Et Boulons
 Filtre
 Tuyau D'aspiration

Dosmatic USA
 Certified ISO 9001:2008 QMS



	Modèle	NPT	BSP
	0.4%	112608	112609
	0.4% Heavy Duty	112638	112639
	0.4% PAA	112608K	112609K
	1%	112600	112601
	1& Heavy Duty	112630	112631
	2.5%	112602	112603
	2.5% Heavy Duty	112632	112633
	5%	112604	112605
	5% Heavy Duty	112634	112635
	10%	112606	112607
	10% Heavy Duty	112636	112637
	20%	112620	112621
	20% Heavy Duty	112640	112641
	20% Remote d'injection	112622	112623

Spécifications



MiniDos 7 gpm (65 max. psi)

Modèle 20% 4% - 20% (1:25 - 1:5)
 Débit: 0.07 - 7 gpm (0,26 - 27 l/mn)
 Pression: 6 - 65 psi (0,41 - 4,5 bar)
 Connexions: 3/4" NPT/BSP

MiniDos 10 gpm (65 max. psi)

Modèle 10% 2% - 10% (1:50 - 1:10)
 Débit: 0.07 - 10 gpm (0,26 - 38 l/mn)
 Pression: 6 - 65 psi (0,41 - 4,5 bar)
 Connexions: 3/4" NPT/BSP

MiniDos 12 gpm (140 max. psi)

Modèle 0.4% 0.025% - 0.4% (1:4000 - 1:250)
 Modèle 1% 0.20% - 1% (1:500 - 1:100)
 Modèle 2.5% 0.50% - 2.5% (1:200 - 1:40)
 Modèle 5% 1% - 5% (1:100 - 1:20)
 Débit: 0.03 - 12 gpm (0,11 - 46 l/mn)
 Pression: 6 - 140 psi (0,41 - 9,7 bar)
 Connexions: 3/4" NPT/BSP

Carter	Matériau composite de marque déposée
Précision moyenne de dosage	+/- 10%
Répétabilité	+/- 3%
Perte de charge	Disponible sur demande
Temp Max. de l'eau	38°C
Temp Min. de l'eau	1°C
Hauteur Max. d'aspiration du produit	4 m
Longueur Max. d'aspiration du produit	15 m
Auto-amorçage	Oui
Joints disponibles*:	Aflas- Produits alcalins Viton - Produits Phyto, huiles, acides EPDM - Produits alcalins *Contactez votre distributeur Dosmatic pour toute information sur la compatibilité chimique.
Viscosité Max. du concentré	1,500 cP
Accessoires recommandés	104 microns, filtres, clapet anti-retour, régulateur de pression, limiteur de débit.

Mesures De Sécurité

Respect de la Garantie



Avertissement, veuillez lire attentivement les mesures de sécurité avant la mise en marche de l'appareil. Elles doivent respecter toutes les réglementations et procédures nationales.

Oter les bouchons rouge avant l'installation

Tous les injecteurs sont testés à 100% en usine avant livraison et par conséquent il se peut que l'appareil contienne une petite quantité d'eau. Les trois bouchons en plastique rouge sont insérés après les tests pour veiller à la propreté de l'injecteur.

Avant l'application de produits chimiques agressifs

Veuillez consulter votre distributeur, fabricant de produits chimiques ou contacter le service clientèle Dosmatic pour valider la compatibilité du produit avec votre injecteur. Utilisez toujours les vêtements et les accessoires de protection adaptés en suivant les recommandations de votre fabricant de produits chimiques.

Etiqueter tout le réseau d'eau, vannes et raccords

Si la solution injectée est non potable, tout le réseau d'eau doit indiquer:

Attention ne pas avaler!

Surveillance du flux sortant pour une injection correcte

Il est de la responsabilité de l'utilisateur de vérifier régulièrement la quantité de produit chimique injecté.

Un Filtre Est Obligatoire

Installer un filtre de 104 microns ou plus fin en fonction de la qualité de l'eau afin de prolonger la durée de vie de l'injecteur et pour que la garantie soit valide. Un filtre est impératif car la plupart des eaux contiennent des impuretés ou des particules, surtout si l'eau provient d'un puits, d'un étang ou d'un lac.

Éviter un accident chimique potentiellement dangereux

Choisissez un endroit sûr. Le bac contenant le produit chimique doit être tenu à l'écart des enfants et/ou des zones à usages réguliers. La pompe ne doit jamais être placée à un endroit où il risque de geler.

Éviter une contamination chimique

Utilisez que de l'eau filtrée. Ne pas laisser les impuretés pénétrer dans le bac à produit. Elles peuvent être aspirées dans la ligne d'eau et entraîner la propagation de maladies. De plus, la saleté, les débris et autres polluants dans le bac peuvent provoquer une usure prématurée de la pompe.

Température De L'eau

Min: 34 °F (1 °C) Max: 100 °F (38 °C)

Pression Maximum de l'eau

0,4%, 1%, 2,5%, 5% - 140 psi (9,7 bar)

Les modèles 10% et 20% ont une pression maximum de 4,5 bar. La pression et le débit d'eau sont réduits lorsque vous utilisez un kit d'injection extérieur.

Installer un régulateur de pression et/ou une soupape de surpression pour vous assurer que lorsque l'appareil est en marche, la pression ne dépasse pas le maximum indiqué.

Avant De Désinstaller Un Injecteur

Libérer la pression d'eau. Pendant que le système est en fonctionnement, fermez la vanne à l'entrée de la pompe. Laisser les vannes ouvertes en sortie de pompe, ce qui permettra de relâcher la pression de l'injecteur ainsi que toutes les parties du système situées après l'injecteur. La pompe peut maintenant être enlevée en toute sécurité.

Conseils Généraux

Veuillez lire les instructions attentivement.

Si vous suivez les procédures, votre injecteur aura une durée de vie prolongée.

Pour une longue durée de vie

Démarrer avec une eau propre en utilisant un filtre en amont pour supprimer les impuretés. Garder le récipient fermé avec un couvercle propre. Conserver la crépine à 2 "(5 cm) au fond du récipient. Effectuer les procédures d'entretien recommandées en page 32.

Utilisation De Produits Solubles

Assurez vous que le produit chimique est complètement dissous avant de démarrer l'injecteur. Si nécessaire, dissoudre le produit chimique dans de l'eau chaude et laissez refroidir avant de l'utiliser. Si le produit n'est pas bien dissout, il peut provoquer une usure prématurée du piston doseur et du cylindre interne.

Protéger Des Températures Extrêmes

Protéger l'injecteur du gel ou de la chaleur excessive.

Rincer Après Chaque Utilisation

Si une solution chimique reste dans la pompe, elle peut sécher, encrasser et endommager la partie basse lors de la prochaine utilisation. (Voir entretien page 32).

L'injecteur Est Inutilisé Pendant Une Période Continue

Si l'injecteur n'a pas été entretenu correctement, des dépôts peuvent avoir séché sur le moteur de la pompe (voir entretien page 32). Avant de démarrer, faire tremper l'appareil entièrement dans l'eau à température ambiante env. 72 °F (22 °C) pendant huit heures.

Fonctionnement

Le « Clic » Est Normal

L'eau qui circule dans l'injecteur engendre automatiquement un « clic » venant du moteur et injecte une quantité déterminée de produit dans la ligne d'eau. Plus le débit est élevé plus il y aura de « clics ». L'injecteur est conçu pour injecter un produit chimique proportionnellement (Le dosage choisi reste constant), quel que soit le débit d'eau.

Le Débit D'eau

Le débit d'eau et la pression doivent correspondre aux informations techniques indiquées selon votre modèle (voir les données techniques page 28).

Changer le taux d'injection

Le taux d'injection est réglable en continu, MEME EN COURS DE FONCTIONNEMENT ET SOUS PRESSION DE L'EAU. Pour changer le taux d'injection, voir fig 1 (a, b ou c) et Fig 2 (a, b ou c). N'enlevez pas la pièce n° 79 lorsque la pompe est en fonctionnement ou bien sous pression.

MiniDos 0,4%, 1%, 2,5% et 5%, voir figure 1a et 2a

Tournez la bague de réglage (# 61) (Fig. 1a) vers le haut ou vers le bas (schéma 2a) afin de sélectionner le taux d'injection souhaitée.

MiniDos 10%, voir schéma 1b et 2b

1. Enlevez la goupille de verrouillage supérieur (# 65) (Fig. 1b).
2. Tournez la bague de réglage (# 61) vers le haut ou vers le bas selon le dosage désiré. Servez vous du haut de la bague de réglage pour aligner le taux d'injection souhaité (fig. 2b).
3. Réinsérez la goupille (# 65). Le clip doit être parallèle aux paramètres de dosages pour pouvoir la réinsérer.

MiniDos 20%, voir Fig 1c et 2c

1. Enlevez l'épingle de maintien (# 79) (Fig1c).
2. Tournez le cylindre externe (# 7) vers le haut ou vers le bas selon le dosage désiré. Utilisez le haut du cylindre externe afin de l'aligner sur le taux d'injection souhaité (Fig. 2c).

Fonctionnement du Marche/Arrêt

L'injection du produit chimique dans la ligne d'eau peut être temporairement arrêté avec la fonction ON / OFF (Fig. 3). En mettant le levier ON/OFF sur la position OFF, cela permet à l'eau de passer à travers l'injecteur sans injection du produit chimique. Il n'y aura donc plus de « clic ».

Quand le levier ON/OFF est sur la position ON, l'injecteur fonctionne normalement et vous pouvez entendre le « clic » lorsque le débit d'eau s'écoule. Il est recommandé d'utiliser une dérivation à 3 vannes (voir Fig. 5), pour un fonctionnement continu ou lors de l'entretien de l'injecteur.

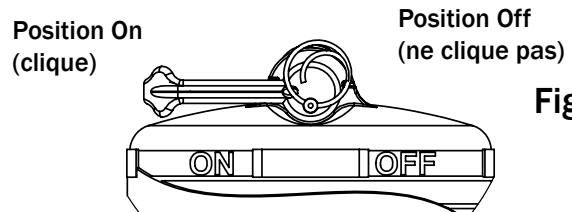


Fig. 3

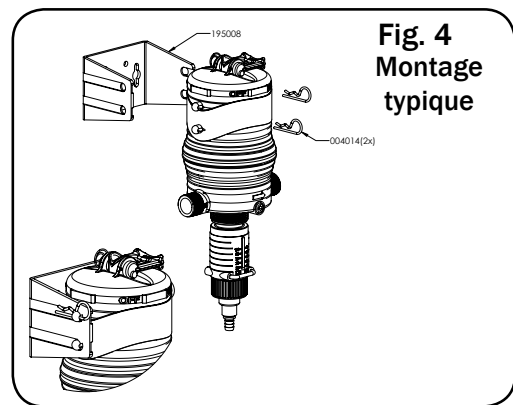


Fig. 4
Montage
typique

**REMARQUE: Ne pas dévisser la bague de réglage plus bas que le seuil.
Vérifiez le dosage en sortie de pompe pour vous assurer que celui demandé est bien le bon.**

MiniDos 0.4%, 1%, 2.5% and 5%

Fig. 1a

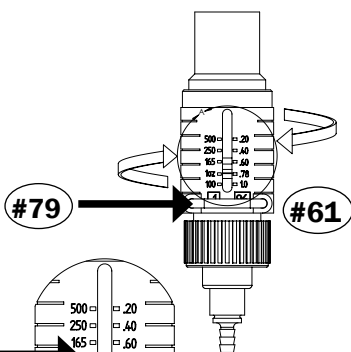
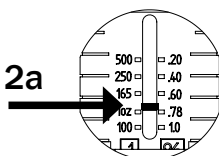


Fig. 2a



MiniDos 10%

Fig. 1b

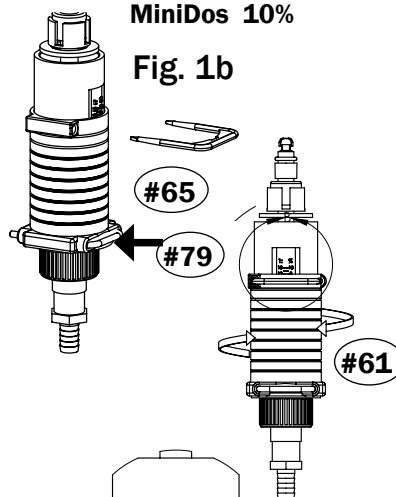
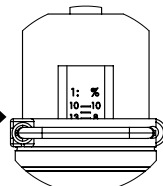


Fig. 2b



MiniDos 20%

Fig. 1c

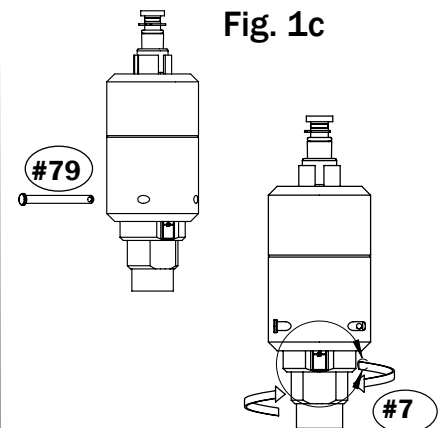
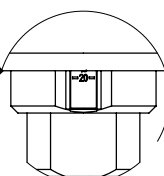


Fig. 2c



Installation Et Mise En Marche

Voir fig.4 et Fig. 5

Filtre (Requis)

Installer un filtre de 104 microns ou plus en fonction de la qualité de l'eau afin de prolonger la durée de vie de l'injecteur et pour que la garantie soit valide. Dosmatic recommande un filtre Twist II Clean® qui peut être commandé en plus de votre injecteur.

Fixation De L'injecteur

Fixer solidement votre injecteur à un objet solide tel qu'un mur ou directement sur un réseau d'eau froide. Veuillez noter que les flèches sur la pompe indiquent le sens du débit de l'eau.

Clapet Anti-Retour (Recommandé)

Installer un clapet qui respecte les normes du pays..

Dispositif De Sécurité (Recommandé)

Empêche la pression de dépasser les données techniques de l'appareil.

Installation De Vanne (Recommandé)

Permet de désinstaller l'appareil pour l'entretien ou le stockage lorsque vous ne l'utilisez pas.

Anti Coup De Bélier (Recommandé)

Empêche les coups de béliers d'abîmer l'injecteur lorsque l'on ferme trop rapidement les vannes solénoïdes, pneumatiques ou à commande manuelle.

Vanne Anti-Siphon (Facultatif)

Pour empêcher que le produit ne soit siphonné dans les lignes d'alimentation lorsque la vanne en amont est fermée. La vanne anti-siphon doit être installée en aval de la pompe.

Préventions Supplémentaires Contre Le Siphonage

Placer le récipient en dessous du tuyau d'aspiration. Si vous utilisez la vanne d'entrée pour couper l'arrivée d'eau cela peut provoquer un siphonage du produit dans la ligne d'alimentation.

Bac À Produit Chimique

Utiliser un récipient de n'importe quelle taille. Un couvercle est recommandé. Pour rattacher votre bac, insérer doucement le tuyau d'aspiration sur l'embout de la partie aspiration de la pompe. Placer la crépine dans le bac à produit à au moins 5 cm du fond et le remplir avec au moins 5 cm de solution chimique.

Ne Jamais Utiliser Des Lubrifiants À Base D'essence

L'injecteur est livré avec une fine couche de silicone autour des joints pour faciliter l'étanchéité de la pompe. Les lubrifiants à base d'essence tels que la vaseline®, l'huile pour bébés, WD40®, ou l'huile de moteur sur les joints toriques ou sur une partie de l'injecteur ne doit jamais être utilisé car cela peut entraîner la naissance de particules qui risquent de bloquer ou d'endommager l'injecteur.

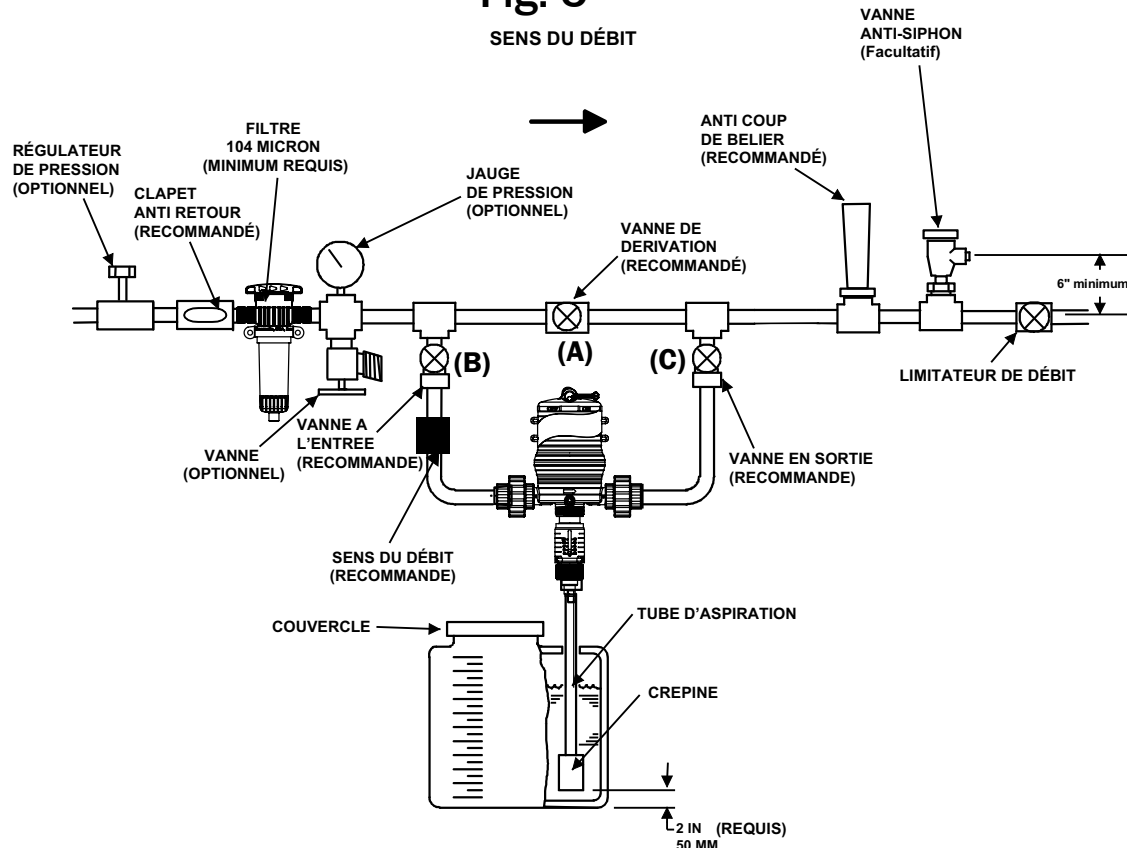


Vérification Du Système D'étanchéité Et Des Procédures De Mise En Marche

Ouvrez la vanne de dérivation (A), fermer la vanne d'entrée (B) et la vanne de sortie (C) pour empêcher l'eau de s'écouler dans l'injecteur. DOUCEMENT ouvrez la ligne d'eau principale. Faites s'écouler l'eau entre 11 et 45 l/min à travers le réseau. Ouvrez toutes les vannes situées en aval de votre injecteur pour laisser sortir l'air. Ouvrez LENTEMENT la vanne d'entrée (B). Ouvrez la vanne de sortie (C) et fermez la vanne de dérivation (A). Quand l'eau passe dans l'injecteur, vous entendez des « clics ». Vérifiez s'il y a des fuites et corriger si nécessaire.

Conseil schéma d'installation

Fig. 5



Injection Extérieure

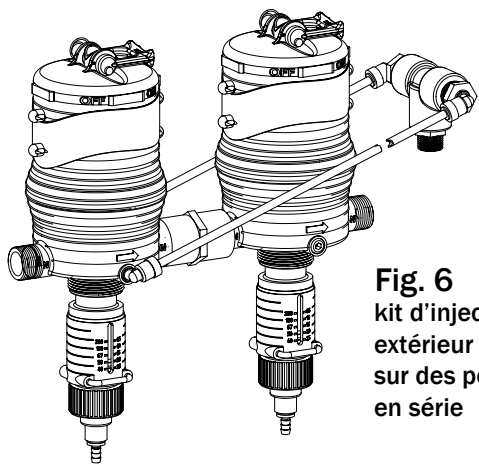


Fig. 6
kit d'injection
extérieur présenté
sur des pompes
en série

kit d'injection extérieur (non inclus) est recommandé pour:

Références des kits
011762

Pompes En Série:

On veut injecter plusieurs produits chimiques. Chaque pompe ajoute un produit dans le réseau d'eau après le deuxième injecteur ce qui évite les dommages éventuels (voir Fig. 6) Pour éviter l'accumulation de minéraux dans le corps de l'appareil. Mettre en place un kit lorsque l'injection du produit chimique cause des précipités de minéraux dans l'eau.

REMARQUE: quand vous mélangez plus d'un produit chimique, veuillez toujours vous référer à la notice d'information de votre fabricant de produit pour une utilisation en toute sécurité.

Entretien

Référence des pièces détachées page 83 à page 90.

RINCER L'INJECTEUR APRES CHAQUE UTILISATION

Les additifs qui restent dans la pompe peuvent sécher, encrasser ou endommager la partie basse lors de la prochaine utilisation. Placer le tuyau d'aspiration dans un 1 litre d'eau ou plus, contenant de l'eau fraîche filtrée. Aspirer l'eau à travers l'appareil jusqu'à ce que le bac soit vide. Cette procédure n'est pas nécessaire pour un fonctionnement quotidien.

NETTOYER LE BAC A PRODUIT

Laisser le couvercle en permanence sur le récipient pour empêcher la saleté, les mouches, les plumes et autres débris volants de pénétrer dedans. Rincer le bac soigneusement et souvent. Ne pas mélanger les produits chimiques qui pourraient réagir et former un précipité. Utiliser de l'eau **FILTREE** lors du remplissage des bacs.

NETTOYER LA CREPINE

Vérifiez la à chaque fois qu'un nouveau produit est utilisé. Nettoyez le filtre (# 27) et le tuyau d'aspiration (# 25) le cas échéant par un rinçage à l'eau douce. Remplacer si nécessaire. Empêchez la crépine de toucher le au fond du bac à produit pour empêcher la saleté et les précipités de boucher la crépine.

NETTOYER LE FILTRE A L'ENTREE DE LA POMPE

Nettoyer ou remplacer le filtre placé à l'entrée de la pompe si nécessaire pour prolonger la durée de vie de l'appareil et afin de réduire les pertes de pression.

BYPASS INJECTEUR

Lorsqu'il n'est pas en marche, utilisez (de préférence) la dérivation by-pass à 3 vannes sinon tournez le levier en position OFF sur le dessus de l'injecteur.

STOCKAGE

Pour un stockage prolongé, rincer l'injecteur (voir « Rincer l'injecteur après chaque utilisation») et le mettre sous l'eau dans un seau. Tous les mois, ajouter environ 30 ml d'eau de Javel pour éviter la propagation d'algues.
ATTENTION CRAINT LE GEL.

Effectuer ces procédures d'entretien pour prolonger la durée de vie de la pompe.

Voir page 84 à 85

Modèle MiniDos (0.4%)
(inclut le modèle avec joint en PAA)

Tous Les 3 À 6 Mois	Tous Les 6 À 12 Mois	Remplacer Si Nécessaire
1. Nettoyer les joints (#13). 2. Vérifier le joint #17 3. #51 nettoyer assemblée de l'arbre et/ou remplacer si nécessaire.	1. Remplacer le joint #17 et le Assemblée de l'arbre #51. 2. Nettoyer et/ou remplacer les soupapes anti-retour #13, tuyau d'aspiration #11.	1. #37 Cylindre 2. #17 joint 3. #51 tige de commande de l'arbre.

Voir page 86

Modèle MiniDos (1%),

Tous Les 3 À 6 Mois	Tous Les 6 À 12 Mois	Remplacer Si Nécessaire
1. Nettoyer les joints (#17, 14 & 13). 2. Vérifier le joint #17 3. #68 nettoyer le cylindre et/ou remplacer si nécessaire.	1. Remplacer le joint #17 et le piston doseur #44. 2. Nettoyer et/ou remplacer les soupapes anti-retour #13, tuyau d'aspiration #11.	1. #68 Cylindre 2. #14, #17 joint 3. #51 tige de commande du piston doseur. 4. le piston doseur #44.

Voir page 87 et 88

Modèles MiniDos (2.5%), (5%)

Tous Les 3 À 6 Mois	Tous Les 6 À 12 Mois	Remplacer Si Nécessaire
1. Nettoyer les joints (#17, 14 & 13). 2. Vérifier le joint #17 3. #37 nettoyer le cylindre et/ou remplacer si nécessaire.	1. Remplacer le joint #17 et le piston doseur #44. 2. Nettoyer et/ou remplacer les soupapes anti-retour #13, tuyau d'aspiration #11.	1. #37 Cylindre 2. #14, #17 joint 3. #52 tige de commande du piston doseur. 4. le piston doseur #44.

Voir page 89

Modèle MiniDos (10%),

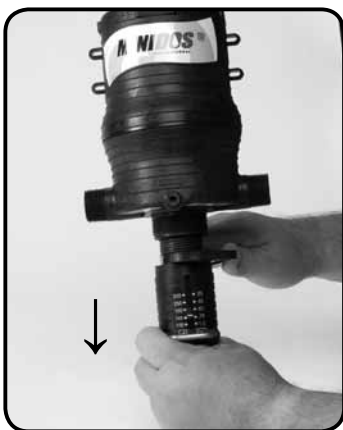
Tous Les 3 À 6 Mois	Tous Les 6 À 12 Mois	Remplacer Si Nécessaire
1. Nettoyer les joints (#17, 14 & 13). 2. Vérifier le joint #17 3. #37 nettoyer le cylindre et/ou remplacer si nécessaire.	1. Remplacer le joint #17 et le piston doseur #44. 2. Nettoyer et/ou remplacer les soupapes anti-retour #13, tuyau d'aspiration #11.	1. #37 Cylindre 2. #14, #17 joint 3. #52 tige de commande du piston doseur. 4. le piston doseur #44.

Voir page 90

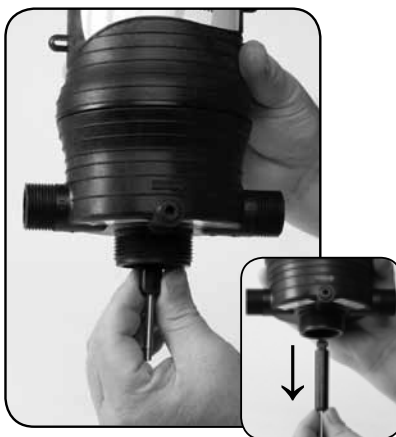
Modèle MiniDos (20%),

Tous Les 3 À 6 Mois	Tous Les 6 À 12 Mois	Remplacer Si Nécessaire
1. Nettoyer les joints (#17, 14). 2. Vérifier le joint #17 3. #7 nettoyer le cylindre et/ou remplacer si nécessaire.	1. Remplacer le joint #17 et le piston doseur #44. 2. Nettoyer et/ou remplacer #60.	1. #7 Cylindre 2. #14, #17 joint 3. le piston doseur #44.

Instructions pour l'entretien courant 0.4%



Étape 1.
Dévisser le CYLINDRE
EXTERNE #7 et l'enlever du
corps de pompe.



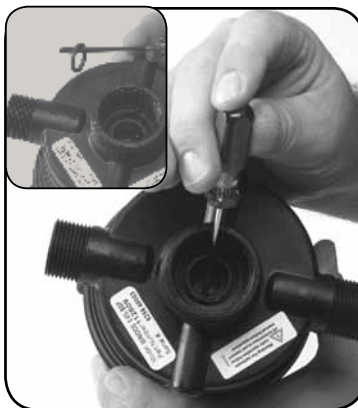
Étape 2.
Dévissez et retirez # 51 arbre
Assemblée.



Étape 3.
Retirez le joint n° 16.



Étape 4.
Retirez la RONDELLE DE
JOINTURE DE LA TIGE n° 82.



Étape 5.
Retirez le joint torique n° 17.



Étape 6.
Remplacez le joint torique
n° 17.



Étape 7.
Remplacez la RONDELLE DE
JOINTURE DE LA TIGE n° 82 et
le joint n° 16.

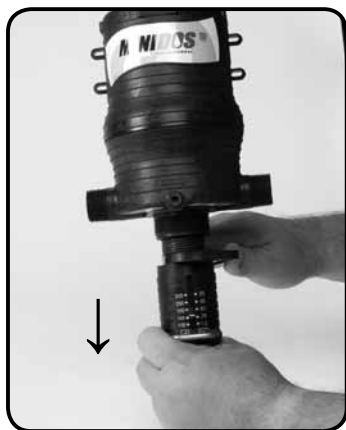


Étape 8.
Remplacez la TIGE n° 51.



Étape 9.
Revisser le CYLINDRE
EXTERNE #7 sur le corps
de pompe.

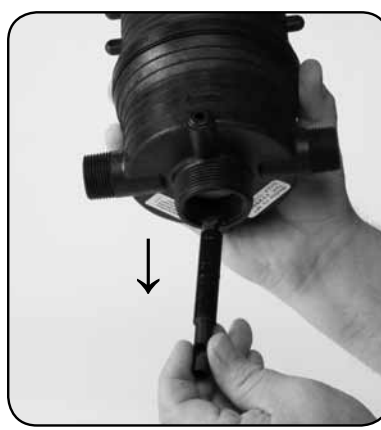
Instructions pour l'entretien courant 1%



Étape 1.
Dévisser le CYLINDRE EXTERNE #7 et l'enlever du corps de pompe.



Étape 2.
1/4 tourner à déverrouiller et supprimer # 51 bas arbre et remplacer.



Étape 3.
Enlever la TIGE DE COMMANDE #52.



Étape 4.
Retirez le JOINT n° 16 et la RONDELLE DE JOINTURE n° 82.



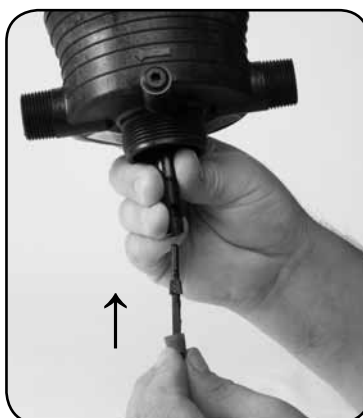
Étape 5.
Enlever le O-ring #17 et remplacer. Remplacer le JOINT TORIQUE #17.



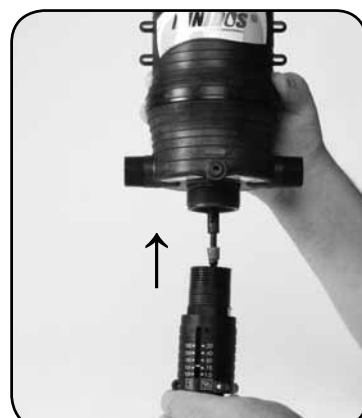
Étape 6.
Après avoir remplacé le # 82 sceau espaceur et # 18 joint d'étanchéité, remplacer # 52 arbre supérieure. Tourner à 1/4 de tour pour verrouiller en place.



Étape 7.
Réinstallez sceller espaceur #82 et le #16 joint d'étanchéité.

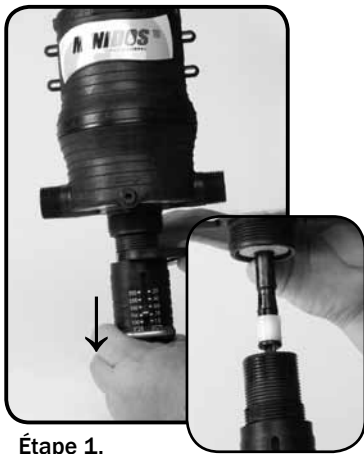


Étape 8.
Réinstallez puits inférieur avec nouveau piston de dosage et tourner à 1/4 de tour à verrouiller.



Étape 9.
Revisser le CYLINDRE EXTERNE #7 sur le corps de pompe.

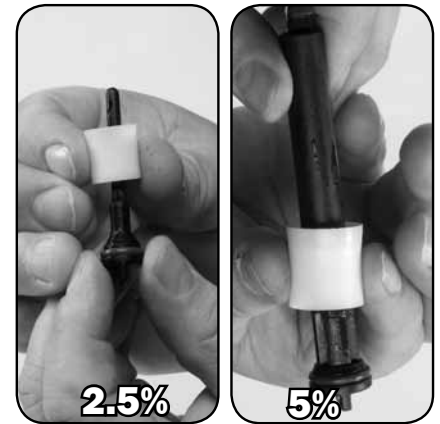
Instructions pour l'entretien courant 2.5% & 5%



Étape 1.
Dévisser le CYLINDRE EXTERNE #7 et l'enlever du corps de pompe.



Étape 2.
Faites pivoter les TIGES n° 51 et n° 52 de 90° et retirez.



Étape 3.
Remplacez le PISTON DOSEUR n° 44, les lèvres minces dirigées vers le haut. Nettoyez et inspectez le joint torique n° 14 et remplacez-le si nécessaire.



Étape 4.
Enlever et Nettoyer les joints #16 & #82.



Étape 5.
Remplacer le JOINT TORIQUE #17.



Étape 6.
Réinstallez la TIGE DE COMMANDE #52, le JOINT TORIQUE #17.



Étape 7.
Réinstallez #16 joint d'étanchéité et le sceller espaceur #82.



Étape 8.
Réinstallez la tige inférieure avec un nouveau piston doseur en le faisant pivoter de 90° pour enclenchement complet.



Étape 9.
Revisser le CYLINDRE EXTERNE #7 sur le corps de pompe.

Instructions pour l'entretien courant 10%



Étape 1.
Dévisser le CYLINDRE EXTERNE #7 l'enlever du corps de pompe.



Étape 2.
Twist pour déverrouiller et enlever la TIGE DE COMMANDE #52, #16 JOINT D'ÉTANCHÉITÉ et #15 MANDAT.



Étape 3.
Retirez la RONDELLE DE JOINTURE DE LA TIGE n° 83.



Étape 4.
Retirez le joint torique n° 17 et remplacez.



Étape 5.
Remplacez RONDELLE DE JOINTURE DE LA TIGE n° 83.



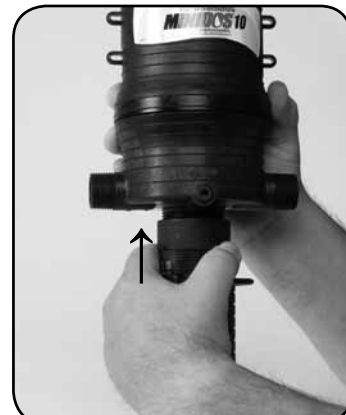
Étape 6.
Appuyez sur les pattes de la tige et retirez le PISTON DOSEUR n° 44.



Étape 7.
Remplacez le PISTON DOSEUR n° 44, les lèvres minces dirigées vers le haut (en direction de la partie supérieure de la tige).

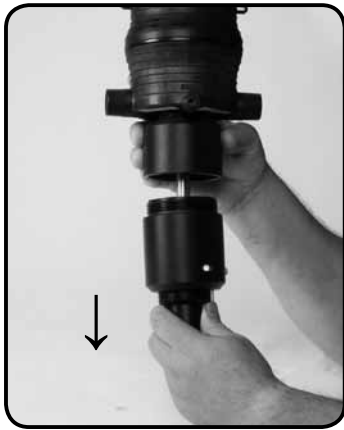


Étape 8.
Remplacez la TIGE DE COMMANDE #52, #16 JOINT D'ÉTANCHÉITÉ et #15 MANDAT.



Étape 9.
Revisser le CYLINDRE EXTERNE #7 sur le corps de pompe.

Instructions pour l'entretien courant 20%



Étape 1.
Dévisser le CYLINDRE EXTERNE #61 l'enlever du corps de pompe.



Étape 2.
Twist pour déverrouiller et enlever la CAPSCREW #93.



Étape 3.
Retirez le GUIDE DU PISTON DOSEUR n° 73, nettoyez et inspectez le joint torique n° 14.



Étape 4.
Retirez le PISTON DOSEUR n° 44.



Étape 5.
Twist et enlever l'ADAPTATEUR n° 72 ainsi que le joint torique n° 68, l'ARRÊTOIR DE JOINT n° 15 et la RONDELLE DE JOINTURE DE LA TIGE n° 83. Remplacez-les s'ils sont endommagés ou usagés.



Étape 6.
Retirez et remplacez le joint torique n° 17. Réinstallez la RONDELLE DE JOINTURE DE LA TIGE n° 83 et l'ARRÊTOIR DE JOINT n° 15.



Étape 7.
Reset # 68 joint torique et vis # 72 adaptateur sur corps.



Étape 8.
Remplacez le GUIDE DU PISTON DOSEUR n° 73 et le PISTON DOSEUR n° 44.



Étape 9.
Vissez le CYLINDRE EXTÉRIEUR n° 61 sur le corps.

DIAGNOSTIC DES ANOMALIES

Toujours augmenter la pression lentement (suivre les instructions page 31)

Problème	Cause	Solution
Ca Ne Clique Pas	l'eau ne s'écoule pas dans l'appareil	Est-ce que les bouchons rouges situés à l'entrée et la sortie du tuyau d'aspiration ont été enlevés? Est-ce que la pompe n'a pas été installée à l'envers? La flèche sur l'injecteur doit indiquer le sens du débit d'eau. Est-ce que l'injecteur est resté hors fonctionnement pendant une période plus ou moins longue? Si c'est le cas, plonger la pompe dans de l'eau à température ambiante pendant 24h ainsi les pièces détachées pourront réabsorber l'eau et reviendront à leur taille normale Si cela ne clique toujours pas, n'ouvrez en aucun cas le corps supérieur mais appeler le Service client Dosmatic.
	L'eau s'écoule dans la pompe	Le débit est inférieur ou supérieur aux capacités de l'injecteur (Voir les données techniques du débit maximum page 28). S'il est inférieur, augmenter le débit et s'il est supérieur, baisser le. Si la pression excède la limite maximum, mettre en place un réducteur de pression (Voir les données techniques du débit maximum page 28). Le levier ON/OFF est en position OFF alors le mettre position ON. La vanne en dérivation n'est pas fermée. Vérifier la et la mettre en position OFF.

Injecteur en cours de fonctionnement ou après entretien régulier

Problème	Cause	Solution
Ne Clique Pas	Le piston moteur # 9 est usé	Le Remplacer et nettoyer avec de l'eau filtrée.
	Le chapeau #1 ou le corps de pompe #40 est usé ou rayé	Remplacer, Installer ou nettoyer avec de l'eau filtrée.
	Le levier ON/OFF sur la position OFF	Le mettre sur la position ON.
	pas la vanne de dérivation fermée	la vanne de dérivation fermer.
	Filtre sale ou bouché	S'assurer que la taille des microns du filtre correspond bien à la filtration requise.
	la pièce #17 est usée ou pas insérée correctement	La remettre correctement.

Problème	Cause	Solution
Clique Mais N'aspire Pas Le Produit	Le tuyau d'aspiration #25 (#60 - 20%) ou l'embout du tuyau d'aspiration est fendu, perdu, fissuré ou bien la crépine est bouchée.	Vérifier le bon positionnement, remplacer et/ou nettoyer si nécessaire.
	Le piston doseur #44 est usé ou pas inséré correctement ou cylindre interne #37 (#68 - 1% & #7 - 20%) est usé	Remplacer le piston doseur #44 (0.4% modèle #51) et assurez vous qu'il soit inséré correctement, le côté évasé doit être dirigé vers le haut.
	Le presse joint #82 (#15 - 10% & 20%) n'est pas mis correctement.	Le remettre correctement.
	Joint torique # 14 ou dosage piston # 44 endommagé ou usés.	Le remplacer, 0.4% modèles remplacer # 51 Assemblée du corps
	Le clapet anti retour #13 (#60 - 20%)fuit:	Nettoyer et le remplacer si nécessaire.

Problème	Cause	Solution
Clique Mais Sous-Dose Le Produit	Le piston doseur #44 est usé	Remplacer, 0.4% modèles remplacer # 51 Assemblée du corps.
	Le cylindre interne #37 (#68 - 1% & #7 - 20%) est usé	Remplacer.
	La pompe marche à haut débit mais pas à bas débit	Changer le joint #17.
	Le piston moteur est usé	Remplacé le piston moteur #9.
	Le chapeau #1 ou le corps de pompe #40 est abîmé ou rayé	Remplacer, Installer ou nettoyer un filtre.

Problème	Cause	Solution
L'eau Retombe Dans Le Bac À Produit Chimique	Le clapet anti-retour #13 fuit	Vérifier la propreté de la zone de contact entre la pièce #11 (pas de PAA & 20%) et la pièce #13. La pièce 13 doit pouvoir circuler librement à l'intérieur de la pièce 11. Nettoyer l'ensemble à l'eau claire.
	Le joint du clapet anti-retour #13 a gonflé ou a été abîmé à cause d'une attaque chimique	Mettre un nouveau clapet anti-retour.
	Kit de tuyau #60 (20%) fuit	Remplacer.

Garantie



Félicitation Pour Votre Commande

Nous fabriquons les meilleures et les plus fiables pompes doseuses hydrauliques du marché. Notre garantie offre la meilleure couverture possible. Dosmatic fournit toutes les pièces détachées qui s'avèrent être défectueuses au niveau du matériel ou de la fabrication à compter de la date d'achat et en tenant compte des périodes suivantes:

3 ans	Le chapeau et le corps de pompe
2 ans	Le piston moteur
1 an	La partie basse de la pompe

Cette garantie couvre uniquement les défauts causés par le processus de fabrication dans les délais indiqués ci-dessus. La décision de prendre en charge la réparation sous garantie n'appartient qu'à Dosmatic Europe. Toute réparation effectuée sous garantie ne prolongera pas la période de garantie initiale.

Pour Que Votre Garantie Fonctionne

Votre seule responsabilité est l'entretien courant, le filtrage de l'eau et du produit injecté, le remplacement du joint torique et du piston doseur lorsqu'ils sont usés. Les joints et les joints toriques ne sont pas couverts par la garantie.

Cette garantie n'est pas valable si les défauts sont avérés être dus à une mauvaise utilisation du produit, un manque d'entretien, des impuretés dans l'eau comme le sable ou le fer, une installation défectueuse, le gel, un coup de bélier, une mauvaise utilisation, une utilisation abusive, des effets secondaires indésirables à cause du produit chimique que vous avez choisi d'injecter ou si des manipulations ont été effectuées sur la pompe par quiconque n'étant pas un distributeur Dosmatic agréé.

La garantie pourra être refusée si le corps de la pompe a été démonté. Si vous croyez que vous avez un problème dans le piston moteur ou à l'intérieur du corps de pompe, veuillez contacter Dosmatic ou un centre de réparation autorisé à prendre des dispositions pour envoyer l'injecteur afin d'être évalué et/ou réparé.

Dans aucun cas Dosmatic sera tenu pour responsable pour des dommages accidentels, spécifiques, indirects, ou des répercussions importantes si le problème vient d'une mauvaise utilisation ou incapacité à utiliser le produit correctement et si cela engendre des dommages sur la pompe.

Il n'y a aucune garantie possible explicite ou implicite venant des produits chimiques utilisés avec une pompe Dosmatic.

Dosmatic ou le distributeur agréé n'est pas responsable des dommages directs ou indirects, tels que des pertes économiques, résultant de la violation de cette garantie écrite ou implicite. Il n'existe aucune garantie, explicite ou implicite, qui s'étend au-delà de celle décrite ci-dessus. Dosmatic se réserve le droit de réparer ou remplacer le produit. De tels recours seront votre seul et unique recours pour toute violation de la garantie. Ces mesures sont les seuls et uniques recours que Dosmatic puissent vous apporter en cas de dysfonctionnement de produit en cours de garantie.

Pour retourner un injecteur pour une réparation sous garantie ou hors garantie:

Voir page 3 pour les informations relatives aux différentes filiales de Dosmatic.

1. Bien rincer l'injecteur avec de l'eau pour éliminer toute substance chimique et l'égoutter. S'assurer que la pompe soit bien emballée pour l'expédition.
2. Afin d'accélérer l'évaluation de la garantie ou bien des réparations avec ou sans garantie, veuillez joindre les éléments suivants: une copie de la facture originale, le numéro de série de l'appareil, le produit chimique utilisé, vos coordonnées, ainsi que le code que vous aura donné le service clientèle Dosmatic pour vous autoriser à renvoyer la pompe.
3. Envoyer la marchandise prépayée à Dosmatic ou à votre distributeur le plus proche. Pour connaître le nom de votre distributeur national ou si vous l'envoyez directement à Dosmatic, contacter le SAV.
4. Lorsqu'un est injecteur prit sous garantie : après inspection et évaluation des défauts de matériaux ou de fabrication, l'appareil sera réparé ou remplacé (selon la décision de Dosmatic) gratuitement et renvoyé au frais de Dosmatic.
5. Pour un injecteur qui n'est pas sous garantie: après analyse du problème, Dosmatic ou le distributeur local appellera le client pour un devis de réparation.

Deutsch

Inhalt

Arbeitsprinzip	41
Inhalt der Lieferung	42
Technische Daten	42
Sicherheitsmaßnahmen	43
Garantie Befolgung	43
Allgemeine Empfehlungen	43
Betrieb	44
Installation und Inbetriebsetzung	45
Empfohlenes Installationsdiagramm	45
Wartung	46
Außeneinspritzung	46
Routine-Wartungsanleitung 0.4%	47
Routine-Wartungsanleitung 1%	48
Routine-Wartungsanleitung 2.5% & 5%	49
Routine-Wartungsanleitung 10%	50
Routine-Wartungsanleitung 20%	51
Problemlösung	52
Garantie	53

Bitte lesen Sie diese Bedienungsanleitung genau durch, bevor sie die Dosmatic Dosierpumpe in Betrieb setzen.

Diese Broschüre beinhaltet die nötige Information für den Einsatz und die Wartung Ihrer neuen Dosmatic Dosierpumpe. Wenn Sie noch weitere Fragen zu dem Injektor, der Garantie, der Routinewartung oder der genauen Bedienung haben, kontaktieren Sie Ihren nächsten Vertreter oder den Dosmatic Kundendienst.

Diese Modelle sind zur Einspritzung flüssiger Konzentrate oder löslicher Pulver, die für die Einspritzung in Flüssigkeitssysteme geeignet und zugelassen sind, bestimmt.

Es ist die Verantwortung des Benutzers, anhand der Empfehlungen des Chemikalienherstellers, die korrekten Dosierungsangaben der Einheit zu bestimmen und zu versichern, dass die genaue Dosierung eingehalten wird.

Wartung und Garantie

Dosmatic bietet ab dem Erwerb eine Drei Jahre Garantie für ausschließlich Herstellungs- oder Materialfehler an. Bei richtigem Einsatz und Wartung, sollte die Leistung Ihrer Dosierpumpe langfristig sein. Bitte überprüfen Sie die komplette Garantiefinformation auf Seite 53.

Für Ihre Information

Die Seriennummer Ihrer Dosierpumpe befindet sich auf dem Körper des Injektors. Bitte schreiben Sie diese Nummer in das untere Feld und geben Sie diese an, wenn Sie Ihren Vertreter oder Dosmatic für Information, Teile oder Service anrufen.

Seriennummer.....

Erwerbsdatum.. ..

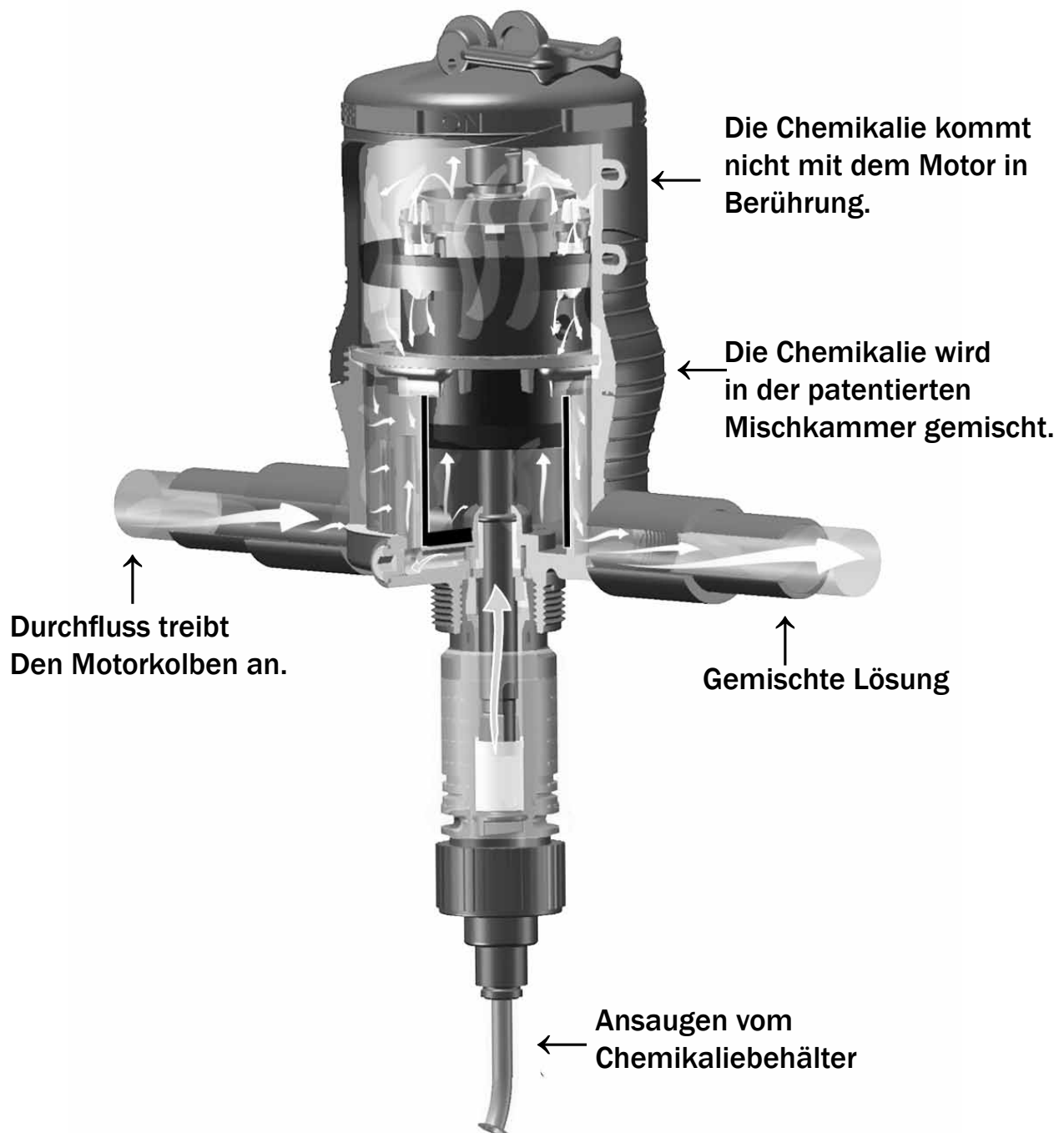
Wichtig:
Für Produktregistrierung
Besuchen Sie unsere Webseite
www.dosmatic.com
um das Produktregistrierungs-
formular auszufüllen!

Dieses Dokument ist keine vertragliche Bindung mit Dosmatic und dient nur zur Information. Dosmatic behält sich vor, Produktdaten oder Erscheinungsbild ohne vorherige Ankündigung zu ändern.

Arbeitsprinzip

Präzise und zuverlässig

Direkt an den Wasserkreislauf angeschlossen, benötigt die Dosierpumpe von Dosmatic keinen Strom, da sie vom durchfließenden Wasser angetrieben wird. Das Wasser setzt die Pumpe in Betrieb, welche die voreingestellte Menge an Konzentrat direct aus dem Behälter ansaugt. In der patentierten Mischkammer wird das Wasser zunächst mit dem Konzentrat vermischt, so dass eine homogene Mischung entsteht, die dann in aus der Pumpe gespritzt wird. Das Volumen des Konzentrates ist immer proportional zum durchfließenden Wasser, ungeachtet Durchfluss- oder Druckschwankungen.

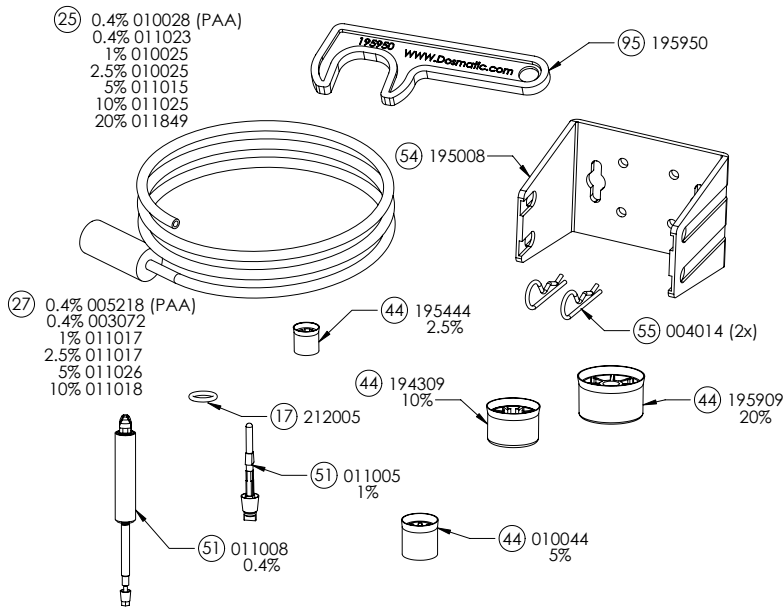


Inhalt der Lieferung

Die Dosierpumpe wird mit folgenden Elementen geliefert:

Dosmatic Injektor (nicht angezeigt)	Wandhalterung
Dosierkolben	Schrauben und Muttern
O-ring	Filterkopf
Bedienungsanleitung (nicht angezeigt)	Ansaugschlauch
Niedrigere Shaft-Versammlung	

Dosmatic USA
Certified ISO 9001:2008 QMS



Modell	NPT	BSP
0.4%	112608	112609
0.4% Heavy Duty	112638	112639
0.4% PAA	112608K	112609K
1%	112600	112601
1& Heavy Duty	112630	112631
2.5%	112602	112603
2.5% Heavy Duty	112632	112633
5%	112604	112605
5% Heavy Duty	112634	112635
10%	112606	112607
10% Heavy Duty	112636	112637
20%	112620	112621
20% Heavy Duty	112640	112641
20% Remote Injektion	112622	112623

Technische Daten



MiniDos 7 gpm (65 max. psi)

Modell 20% 4% - 20% (1:25 - 1:5)

Durchfluss: 0.07 - 7 gpm (0,26 - 27 l/mn)

Druck: 6 - 65 psi (0,41 - 4,5 bar)

Anschlüsse: 3/4" NPT/BSP

MiniDos 10 gpm (65 max. psi)

Modell 10% 2% - 10% (1:50 - 1:10)

Durchfluss: 0.07 - 10 gpm (0,26 - 38 l/mn)

Druck: 6 - 65 psi (0,41 - 4,5 bar)

Anschlüsse: 3/4" NPT/BSP

MiniDos 12 gpm (140 max. psi)

Modell 0.4% 0.025% - 0.4% (1:4000 - 1:250)

Modell 1% 0.20% - 1% (1:500 - 1:100)

Modell 2.5% 0.50% - 2.5% (1:200 - 1:40)

Modell 5% 1% - 5% (1:100 - 1:20)

Durchfluss: 0.03 - 12 gpm (0,25 - 46 l/mn)

Druck: 6 - 140 psi (0,41 - 9,7 bar)

Anschlüsse: 3/4" NPT/BSP

Gehäuse	Eingetragene Verbundfaserstoffe
Dosierungspräzision	+/- 10%
Wiederholbarkeit	+/-3%
Druckverlust	Auf Anfrage erhältlich
Höchsttemperatur	40°C
Mindesttemperatur	1°C
Maximale Höhe der Ansaugung	4 m
Maximale Länge der Ansaugung	15 m
Selbstansaugung	Ja
Erhältliche Dichtungen*:	Aftlas - Alkaliprodukte Viton - Pflanzliche Produkte, Öle, Säuren EPDM - Alkaliprodukte * Kontaktieren Sie Ihren Dosmaticvertreiber für umfangreiche Informationen über die Chemikalienbeständigkeit
Maximale Viskosität des Konzentrats	1 500 cP
Empfohlenes Zubehör	140 Mesh (104 Mikron) Filter, Kontrollventil, Druckregulierer, Durchflussbegrenzer.

Sicherheitsmaßnahmen Garantie Befolgung



Warnung, Bitte lesen Sie die Maßnahmen vor der Bedienung genau durch. Muss alle geltenden örtlichen Vorschriften und Regulierungen einhalten.

Nehmen Sie die Roten Kappen von der Installation ab
Ihre Dosierpumpe wird vor der Lieferung zu 100% in der Fabrik getestet und kann etwas Wasser beinhalten. Die drei roten Plastikkappen werden nach der Überprüfung aufgesetzt, um die Reinheit des Injektors zu versichern.

Bevor Sie Aggressive Chemikalien Anwenden
Fragen Sie bitte Ihren Vertreter, Chemikalienhersteller oder den Dosmatic Kundendienst nach der Verträglichkeit mit Ihrer Dosierpumpe. Tragen Sie immer Schutzkleidung, wie von Ihrem Chemikalienhersteller empfohlen

Markieren Sie alle Wasserleitungen, Ventile und Anschlüsse
Wenn die Lösung, die Sie anwenden, nicht trinkbar ist, dann sollen alle Leitungen markiert werden:

Achtung, nicht für den menschlichen Verzehr bestimmt!

Beobachten Sie den Auslassdurchfluss für Angemessenes Einspritzen
Es ist die Verantwortung des Benutzers, die eingespritzte Chemikalienabgabe zu beobachten.

Ein Filter wird Empfohlen und ist Erforderlich
Ije nach Wasserqualität, bringen Sie ein Filter 140 Mesh (104 Mikron) oder feiner an, um das Betriebsleben des Injektors zu verlängern und damit die Garantie gültig ist. Ein Filter ist erforderlich, da die meisten Flüssigkeiten Unreinheiten oder Partikel beinhalten, besonders wenn das Wasser aus einem Brunnen, Teich oder Fluss kommt.

Vermeiden Sie Potentiell Gefährliche Chemikalien Unfälle

Wählen Sie einen sicheren Ort. Chemikalienbehälter sollten von Kindern und/oder Bereichen mit viel Betrieb ferngehalten werden und der Ort darf nicht gegen Gefriertemperaturen empfindlich sein.

Vermeiden Sie Lösungsverschmutzung
Benutzen Sie nur reine GEFILTERTE Flüssigkeiten. Erlauben Sie nicht, dass Fremdkörper in den Lösungsbehälter eintreten. Diese könnten in die Wasserleitung gepumpt werden und Krankheiten ausbreiten. Schmutz, Ablagerungen und andere Fremdkörper im Lösungsbehälter können exzessive Abnutzung der Einheit verursachen.

Flüssigkeitstemperatur
Min: 34 °F (1 °C) Max: 100 °F (38 °C)

Maximaler Flüssigkeitsdruck
0,4%, 1%, 2,5%, 5% - 140 psi (9,7 bar)
10% & 20% haben einen höchsten Betriebsdruck von 65 psi (4,5 bar).
operative Druck und Durchfluss ist gesenkt, während der Verwendung von remote-Injektion-Kit.
Installieren Sie ein Druckregulierer und/oder ein Drucknachlassventil um zu versichern, dass der Betriebsdruck nicht das Maximum überschreitet.

Bevor Sie die Dosierpumpe vom System Entfernen Lassen Sie den Flüssigkeitsdruck ab. Während das System in Betrieb ist, schliessen Sie das Eingangsventil. Lassen Sie das Ausgangsventil offen um den Druck des Injektors und aller Teile des Systems nach dem Injektor abzulassen. Nun kann der Injektor sicher entfernt werden.

Allgemeine Empfehlungen

Bitte lesen Sie diese Bedienungsanleitung genau durch. Die genaue Befolgung des Prozesses verlängert das Leben Ihrer Dosierpumpe.

Für Langlebigkeit
Fangen Sie mit sauberer Flüssigkeit an, indem Sie ein Linienfilter benutzen um Unreinheiten zu beseitigen. Halten Sie den Lösungsbehälter zugedeckt und sauber. Halten Sie den Ansaugschlauchfilter 2" (5 cm) vom unteren Teil des Behälters entfernt. Führen Sie die Wartung wie empfohlen durch (siehe Wartung Seite 46).

Gebrauch von Löslichem Puder
Versichern Sie sich, dass die Chemikalie komplett aufgelöst ist, bevor sie den Injektor starten. Wenn nötig, lösen Sie die Chemikalie in heißem Wasser auf und lassen Sie sie vor dem Gebrauch abkühlen. Wenn die Chemikalie nicht aufgelöst wird, kann es zur vorzeitigen Abnutzung des Dosierkolben und des inneren Zylinders kommen.

Vermeiden Sie Extreme Temperaturen
Schützen Sie den Injektor vor Gefriertemperaturen oder exzessiver Hitze.

Spülen Sie die Dosierpumpe nach Gebrauch ab
Additive die im Injektor bleiben, können eintrocknen und das untere Ende bei der nächsten Inbetriebsetzung verschmutzen oder beschädigen (siehe Wartung Seite 46).

Die Dosierpumpe wird über einen Längeren Zeitraum nicht Gebraucht
Wenn der Injektor nicht richtig aufbewahrt wurde, können sich Anlagerungen auf dem Motor eingetrocknet haben (siehe Wartung Seite 46). Tauchen Sie die Einheit vor dem Gebrauch für acht Stunden in Wasser von einer Raumtemperatur von c.a. 72 °F (22 °C) ein.

Betrieb

Ein Klickendes Geräusch ist Normal

Wenn Flüssigkeit durch den Injektor läuft, wird er automatisch „klicken“ und eine bestimmte Menge der Lösung in die Wasserleitung einspritzen. Je höher die Durchflussrate, desto öfter wird es „klicken“. Der Injektor spritzt die Lösung proportional ein (zur selben Ratio) unabhängig vom Durchfluss.

Durchfluss

Durchfluss und Druck müssen innerhalb der bestimmten technische Daten für Ihr Modell liegen (siehe technische Daten auf Seite 42).

Änderung der Einspritzrate

Die Einspritzrate des Injektors ist einstellbar SOGAR WENN IN BETRIEB UND UNTER DRUCK. Um die Einspritzrate zu ändern siehe Fig. 1 (a, b oder c) und Fig. 2 (a, b oder c) je nach Einspritzrate.

MiniDos 0.4%, 1%, 2.5% und 5%, siehe Fig. 1a und 2a
Drehen Sie den Dosierregler (#61) (Fig. 1a) an der Einstelllinie (Fig. 2a) hoch oder runter um die gewünschte Dosierrate auszuwählen.

MiniDos 10%, siehe Fig. 1b und 2b

1. Entfernen Sie den oberen Riegel (#65) (Fig. 1b).
2. Drehen Sie den Dosierregler (#61) hoch oder runter, je nach gewünschter Einstellung. Stellen Sie den Dosierregler auf die gewünschte Dosierrate ein (Fig. 2b).
3. Fügen Sie den oberen Riegel wieder ein (#65). Die Klammer muss parallel zur Einstellung sein, um sie wieder einzufügen

MiniDos 20%, siehe Fig. 1c und 2c

1. Entfernen Sie den Ratio Sperrstift (#79) (Fig. 1c).
2. Drehen Sie den Außenzylinder (#7) hoch oder runter, je nach gewünschter Einstellung. Stellen Sie mit dem oberen Teil des Außenzylinders die gewünschte Dosierrate ein (Fig. 2c).

Bypass Bedienung

Mit dem ON/OFF Schalter (Fig. 3) können Sie die Einspritzung der Lösung in die Wasserleitung vorübergehend anhalten. Wenn Sie den Schalter auf OFF stellen, kann die Flüssigkeit durch den Injektor laufen ohne Chemikalien einzuspritzen. Sie werden kein „Klicken“ hören.

Wenn Sie den Schalter auf ON stellen, wird der Injektor normal arbeiten und Sie werden ein „Klicken“ hören wenn die Flüssigkeit läuft. Ein Drei-Wege Ventil Bypass wird empfohlen (siehe Fig. 5) um den Injektor ununterbrochen zu umgehen oder zu bedienen.

Ablauf Position
(Klicken)

Off Position
(Kein klicken)

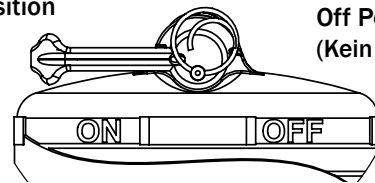


Fig. 3

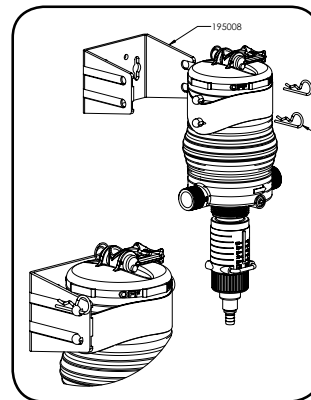


Fig. 4
Typische
Wandanbringung

ANM: Drehen Sie den Dosierregler nicht unter die niedrigste Einstelllinie.

Messen Sie die Ausgangsflüssigkeit um zu versichern, dass die gewünschte Dosierungsrate geliefert wird.

MiniDos 0.4%, 1%, 2.5% and 5%

Fig. 1a

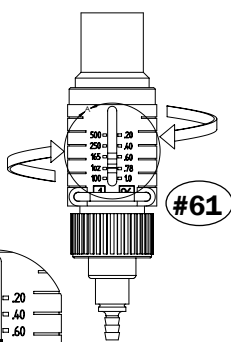
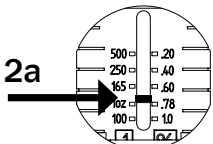


Fig. 2a



MiniDos 10%

Fig. 1b

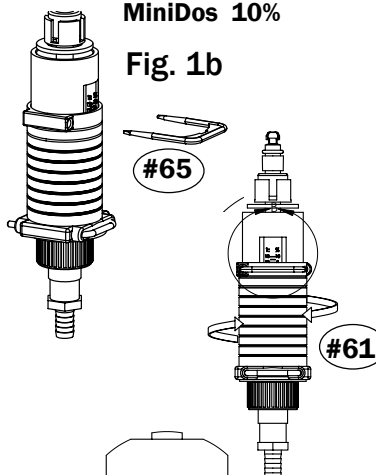
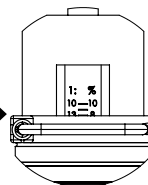


Fig. 2b



MiniDos 20%

Fig. 1c

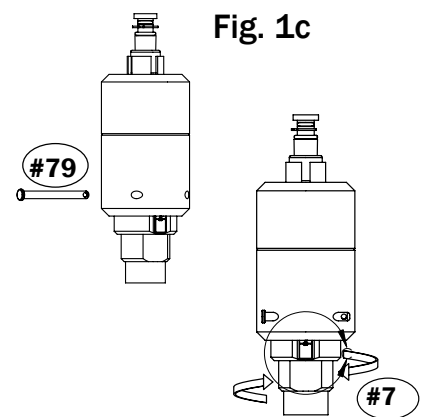
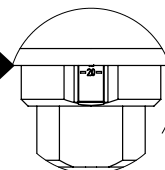


Fig. 2c



Installation und Inbetriebsetzung

Refer to Fig. 4 and Fig. 5

Filter (Erforderlich)

Je nach Wasserqualität, bringen Sie ein Filter 140 Mesh (104 Mikron) oder feiner an, um das Betriebsleben des Injektors zu verlängern und damit die Garantie gültig ist. Dosmatic empfiehlt ein Twist II Clean® Filter, der mit Ihrer Dosierpumpe bestellt werden kann.

Aufbau der Dosierpumpe

Befestigen Sie den Injektor sicher an ein solides Objekt, so wie eine Wand oder an eine kalte Wasserleitung. Der Pfeil auf dem Injektor zeigt die Durchflussrichtung an.

Rückschlagventil (Empfohlen)

Installieren Sie eins nach örtlichen Vorschriften.

Druck-Sicherheitselement (Empfohlen)

Verhindert, dass der Druck die technischen Daten der Einheit überschreitet.

Aufbau des Bypass-Ventils (Empfohlen)

Ermöglicht den Injektor nicht angeschlossen zu warten oder aufzuheben, wenn er nicht gebraucht wird.

Flüssigkeitsschläge Ableiter (Empfohlen)

Verhindert, dass bei Anwendung von Schließmagnet, Druckluft oder Handbetriebebenen Kugelventilen, Flüssigkeitsschläge den Injektor beschädigen.

Anti-Siphon Ventil (Beliebig)

Um zu verhindern, dass die Lösung (vom Lösungsbehälter) in die Flüssigkeitsleiter tritt wenn das stromaufwärts Ventil abgeschaltet ist. Das Anti-Siphon Ventil muss auf dem Auslaufausgang installiert werden.

Zusätzliche Siphonprävention

Stellen Sie den Lösungsbehälter unter den Saugschlauch Bausatz des Injektors. Wenn Sie die Eingangsseite als Schließventil benutzen, kann es dazu kommen, dass die Lösung in die Wasserleitung gehebert wird.

Lösungsbehälter

Der Behälter kann von jeder Größenordnung sein. Ein Deckel wird empfohlen. Um den Lösungsbehälter anzuschließen, drücken Sie das Ende des Saugschlauchs auf den Boden des Saugschlauch Bausatzes. Setzen Sie den Filter in den Lösungsbehälter ein, mindestens 2" (5 cm) vom Boden entfernt, und füllen mit Chemikalien Lösung.

Benutzen Sie nie Gleitmittel auf Petroleumbasis

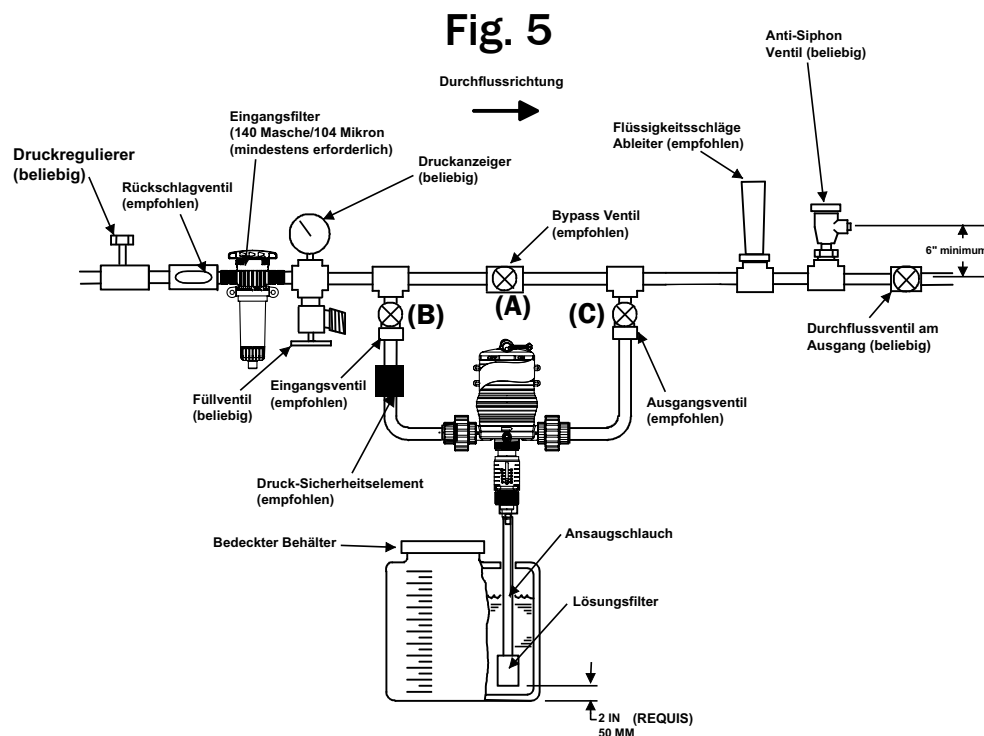
Der Injektor wird zur einfachen Montage mit einer dünnen Silikonhülse über den Dichtungen geliefert. Gleitmittel auf Petroleumbasis, so wie Vaseline®, Babyöl, WD40® oder Motoröl auf den O-Ringen oder anderen Teilen des Injektors sollten niemals benutzt werden, da sich Partikel darauf ansetzen können und der Injektor verstopft oder beschädigt werden kann.

Überprüfung von Undichtheit und Inbetriebsetzung

Öffnen Sie das Bypass Ventil (A), schließen Sie das Eingangsventil (B) und Ausgangsventil (C) um zu verhindern, dass Flüssigkeit in den Injektor läuft. Drehen Sie LANGSAM die Hauptwasserleitung auf. Lassen Sie die Flüssigkeit zwischen 5 -12 gpm (11-45 l/mn) durch das Installationssystem laufen. Schließen Sie alle Ventile flussabwärts vom Injektor aus eingeschlossene Luft auszulassen. Schließen Sie LANGSAM das Eingangsventil (B) auf. Öffnen Sie das Ausgangsventil (C) und schließen Sie das Bypass Ventil (A). Wenn die Flüssigkeit durch den Injektor läuft, werden Sie ein „Klicken“ hören. Überprüfen Sie undichte Stellen und korrigieren Sie wenn nötig.

Deutsch

Empfohlenes Installationsdiagramm



Außeneinspritzung

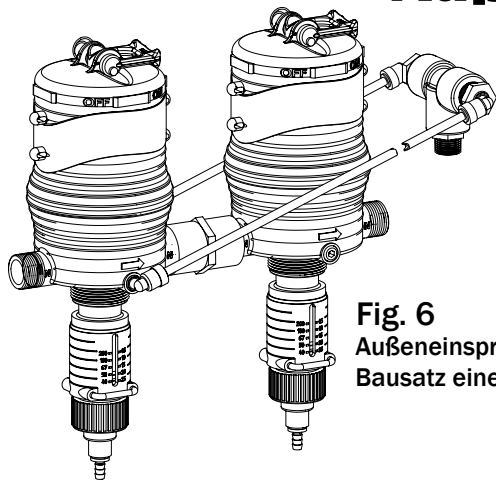


Fig. 6
Außeneinspritzung
Bausatz einer Serie.

Außeneinspritzung Bausatz (nicht inklusiv)

Empfiehlt sich für Folgendes:

Dosierpumpen in Serie:

Wenn mit zwei oder mehr Injektoren mehrfach Chemikalien eingespritzt werden. Jeder Injektor fügt dem Wassersystem Chemikalien bei während der nächste Injektor umgangen wird und potentielle Schäden des Injektors vermieden werden (siehe Fig. 6). Um Mineralbildung im Körper der Einheit zu verhindern. Wenn sich durch eingespritzte Chemikalien Minerale von der Flüssigkeit absetzen.

ANM: Wenn mehr als eine Chemikalie gemischt wird, wenden Sie sich an Ihr Chemikalienhersteller Handbuch für genaue Anwendung. Kontaktieren Sie Ihren Vertreter oder den Dosmatic Kundendienst für Information oder Bestellung.

Bausatznummer
011762

Wartung

Referenznummern beziehen sich auf Seite 83 - 90

SPÜLEN SIE DIE DOSIERPUMPE NACH GEBRAUCH AB

Additive die im Injektor bleiben, können trocknen und das untere Ende bei der nächsten Inbetriebsetzung verschmutzen oder beschädigen. Fügen Sie den Ansaugschlauch in ein 1 qt. (0.95 Liter) Behälter mit frischem Wasser ein. Lassen Sie das frische Wasser durch den Injektor fließen bis der Behälter leer ist. Dieser Prozess ist nicht mehr für weitere Bedienung nötig.

REINIGEN SIE DEN LÖSUNGSBEHÄLTER

Halten Sie den Behälter bedeckt, damit kein Schmutz, Fliegen, Federn oder Sonstiges eindringen. Spülen Sie den Behälter gut und oft aus. Mischen Sie keine Chemikalien, die reagieren und Ablagerungen verursachen können. Füllen Sie den Behälter mit GEFILTERTEM Wasser.

REINIGEN SIE DEN ANSAUGSCHLAUCHFILTER

Überprüfen Sie ihn bei jeder neuen Lösung. Reinigen Sie den Filter (#27) und den Ansaugschlauch (#25) mit frischem Wasser wenn nötig. Ersetzen Sie ihn wenn erforderlich. Halten Sie den Filter vom Boden des Behälters entfernt um zu verhindern, dass Schmutz und Ablagerungen ihn verstopfen.

REINIGEN SIE DEN EINGANGSFILTER

Reinigen oder ersetzen Sie den Eingangsfilter wenn erforderlich, um das Betriebsleben der Einheit zu verlängern und Druckverlust zu vermeiden.

BYPASS DOSIERPUMPE

Wenn Sie den Injektor nicht gebrauchen, stellen Sie ihn mit dem Drei Ventil Bypass (bevorzugt) oder mit dem ON/OFF Schalter auf OFF auf den Bypassmodus.

LAGERUNG

Für längere Lagerung spülen Sie den Injektor ab (siehe „Spülen Sie den Injektor nach Gebrauch ab“) und lagern Sie ihn unter Wasser in einem Behälter. Wenden Sie jeden Monat <0.1 oz. (30 ml) Chlorbleiche an um Algen zu bekämpfen. **VERHINDERN SIE GEFRIEREN.**

Wenden Sie sich an
Seite 84 & 85
MiniDos (0.4%)
Modell (Including
PAA)

Wenden Sie sich
an Seite 86
MiniDos (1%)
Modell

Wenden Sie sich
an Seite 87 & 88
MiniDos (2.5%),
(5%) Modells

Wenden Sie sich
an Seite 89
MiniDos (10%)
Modell

Wenden Sie sich
an Seite 90
MiniDos (20%)
Modell

Folgen Sie diesen Wartungsanweisungen
um die Langlebigkeit Ihrer Pumpe zu optimieren.

Alle 3-6 Monate	Alle 6-12 Monate	Ersetzen Sie wenn erforderlich
1. Reinigen Sie die Dichtungen (#13). 2. Überprüfen Sie den O-Ring #17, reinigen Sie und/oder ersetzen Sie den Schaft und Dosierkolben #51 wenn erforderlich.	1. Ersetzen Sie O-Ring #17 und Schaft und Dosierkolben #51. 2. Reinigen und/oder ersetzen Sie Tellerventil #13, saugschlauch Bausatz #11.	1. Zylinder # 37 2. O-Ring #17 3. Schaft und Dosierkolben #51.

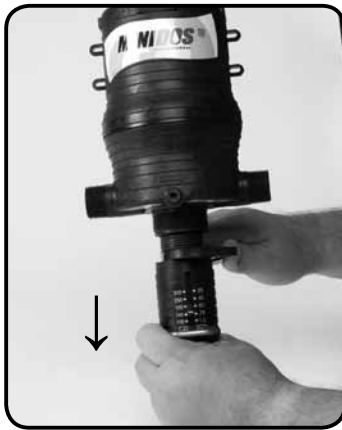
Alle 3-6 Monate	Alle 6-12 Monate	Ersetzen Sie wenn erforderlich
1. Reinigen Sie die Dichtungen (# 17, 14 & 13). 2. Überprüfen Sie den O-Ring #17, reinigen Sie und/oder ersetzen Sie den Zylinder #68 wenn erforderlich	1. Ersetzen Sie O-Ring #17 und Dosierkolben #44. 2. Reinigen und/oder ersetzen Sie Tellerventil #13, saugschlauch Bausatz #11.	1. Zylinder # 68 2. O-Ring #14, #17 3. Schaft und Dosierkolben #51. 4. Dosierkolben #44.

Alle 3-6 Monate	Alle 6-12 Monate	Ersetzen Sie wenn erforderlich
1. Reinigen Sie die Dichtungen (# 17, 14 & 13). 2. Überprüfen Sie den O-Ring #17, reinigen Sie und/oder ersetzen Sie den Zylinder #37 wenn erforderlich	1. Ersetzen Sie O-Ring #17 und Dosierkolben #44. 2. Reinigen und/oder ersetzen Sie Tellerventil #13, saugschlauch Bausatz #11.	1. Zylinder # 37 2. O-Ring #14, #17 3. Schaft und Dosierkolben #52. 4. Dosierkolben #44.

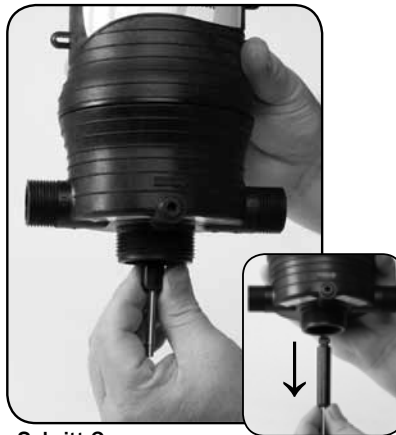
Alle 3-6 Monate	Alle 6-12 Monate	Ersetzen Sie wenn erforderlich
1. Reinigen Sie die Dichtungen (# 17, 14 & 13). 2. Überprüfen Sie den O-Ring #17, reinigen Sie und/oder ersetzen Sie den Zylinder #37 wenn erforderlich	1. Ersetzen Sie O-Ring #17 und Dosierkolben #44. 2. Reinigen und/oder ersetzen Sie Tellerventil #13, saugschlauch Bausatz #11.	1. Zylinder # 37 2. O-Ring #14, #17 3. Schaft und Dosierkolben #52. 4. Dosierkolben #44.

Alle 3-6 Monate	Alle 6-12 Monate	Ersetzen Sie wenn erforderlich
1. Reinigen Sie die Dichtungen (# 17, 14). 2. Überprüfen Sie den O-Ring #17, reinigen Sie und/oder ersetzen Sie den Zylinder #7 wenn erforderlich	1. Ersetzen Sie O-Ring #17 und Dosierkolben #44. 2. Reinigen und/oder ersetzen #60.	1. Zylinder #7 2. O-Ring #14, #17 3. Dosierkolben #44

Routine-Wartungsanleitung 0.4%



Schritt 1.
Unscrew #7 OUTER CYLINDER
from body.



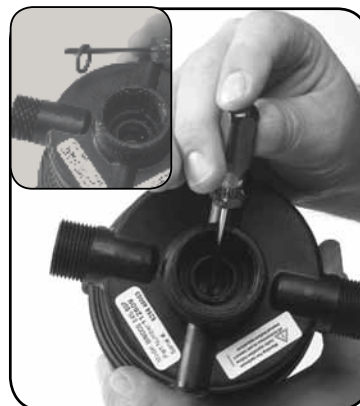
Schritt 2.
1/4 turn to remove #51 SHAFT
ASSEMBLY



Schritt 3.
Remove #16 Gasket.



Schritt 4.
Remove #82 SHAFT SEAL SPACER.



Schritt 5.
Remove #17 O-ring.



Schritt 6.
Replace #17 O-ring.



Schritt 7.
Replace #82 SHAFT SEAL
SPACER and #16 Gasket.

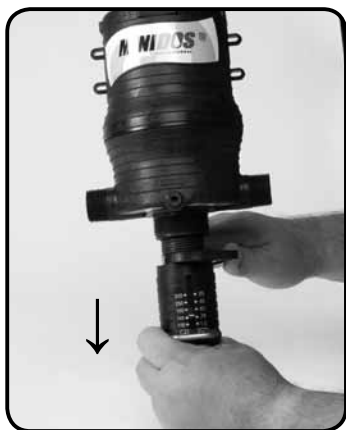


Schritt 8.
Replace #51 SHAFT
ASSEMBLY.



Schritt 9.
Screw #7 OUTER CYLINDER
onto body.

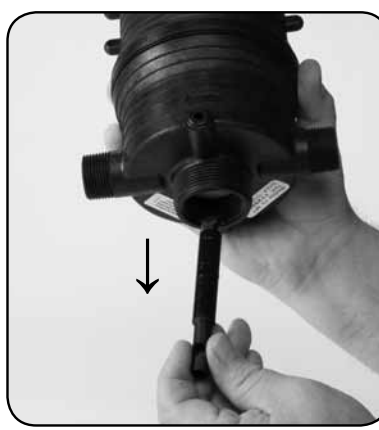
Routine-Wartungsanleitung 1%



Schritt 1.
Schrauben Sie den
AUSSENZYLINDER #7 vom
Körper ab.



Schritt 2.
1/4 wenden Sie sich an entsperren
und entfernen # 51 niedriger
Schaft und ersetzen.



Schritt 3.
Entfernen Sie den OBERE WELLE #52.



Schritt 4.
Entfernen Sie den Dichtring #16
und den WELLENDICHTUNG
ABSTANDHALTER #82.



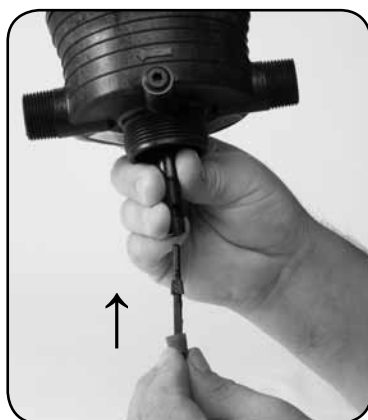
Schritt 5.
Entfernen Sie den O-ring #17 und
Ersetzen. Ersetzen Sie den O-ring #17.



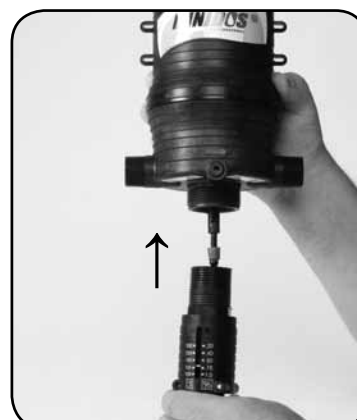
Schritt 6.
Nach dem Austausch von #
82 Siegel SPACER und # 18
Dichtung, ersetzen Sie # 52
obere Welle. Biegen Sie 1/4
Umdrehung in Ort zu sperren.



Schritt 7.
Installieren Sie wieder den
Spacer-Dichtung #82 und
Dichtung #16.

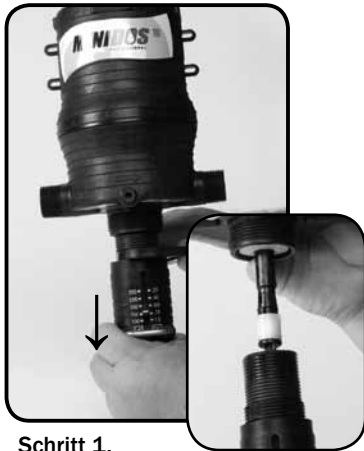


Schritt 8.
Installieren Sie Unterteil mit
neuen Dosierung Kolben und
biegen Sie 1/4 Umdrehung zu
sperrern.



Schritt 9.
Schrauben Sie den
AUSSENZYLINDER #7 in den
Körper ein.

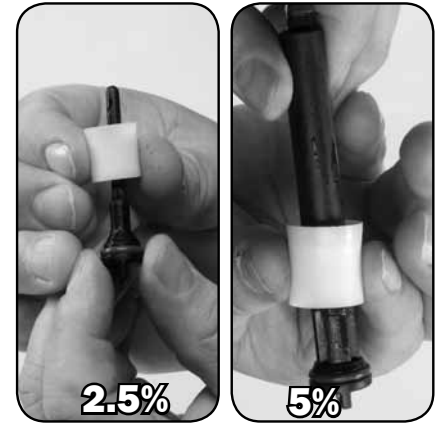
Routine-Wartungsanleitung 2.5% & 5%



Schritt 1.
Schrauben Sie den
AUSSENZYLINDER #7 vom
Körper ab.



Schritt 2.
Drehen Sie SCHAFT #51 oder
#52 90° und entfernen Sie ihn.



Schritt 3.
Ersetzen Sie den DOSIERKOLBEN
#44, dünne Lippen aufwärts.
Reinigen und ersetzen Sie den
O-Ring #14 wenn nötig.



Schritt 4.
Entfernen Sie den Reinigen sie
die dichtungen #16 und #82.



Schritt 5.
Ersetzen Sie den O-ring #17.



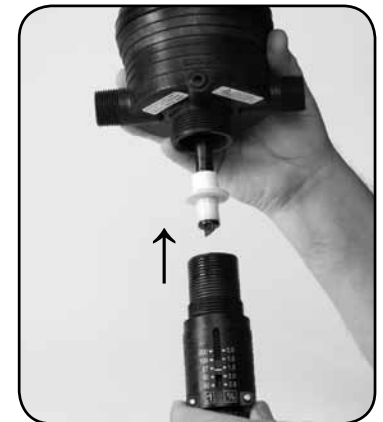
Schritt 6.
Installieren Sie wieder den
UNTEREN SCHAFT #52 und
O-ring #17.



Schritt 7.
Installieren Sie wieder den
Dichtung #16 und Spacer-
Dichtung #82.



Schritt 8.
Installieren Sie den unteren
Schaft mit dem neuen
Dosierkolben, indem Sie ihn
90° drehen bis er einrastet.



Schritt 9.
Schrauben Sie den
AUSSENZYLINDER #7 in
den Körper ein.

Routine-Wartungsanleitung 10%



Schritt 1.
Schrauben Sie den
AUSSENZYLINDER #7 vom
Körper ab.



Schritt 2.
Twist zu entsperren und entfernen
Sie den SCHAFT #52, #16
DICHTUNG und #15 RETAINER.



Schritt 3.
Entfernen Sie den
WELLENDICHTUNG
ABSTANDHALTER #83.



Schritt 4.
Entfernen Sie den O-Ring #17 und
ersetzen.



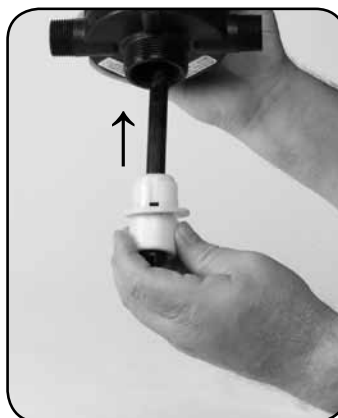
Schritt 5.
Ersetzen Sie den WELLENDICHTUNG
ABSTANDHALTER #83.



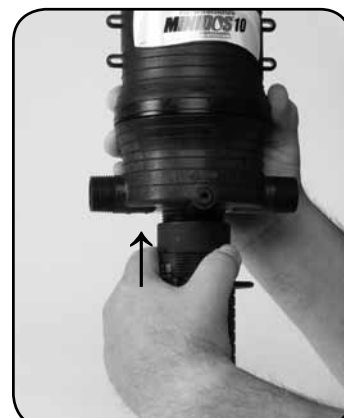
Schritt 6.
Drücken Sie die Laschen am
Schaft und entfernen Sie den
DOSIERKOLBEN #44.



Schritt 7.
Ersetzen Sie den
DOSIERKOLBEN #44, dünne
Lippen aufwärts (in Richtung
Schaft).

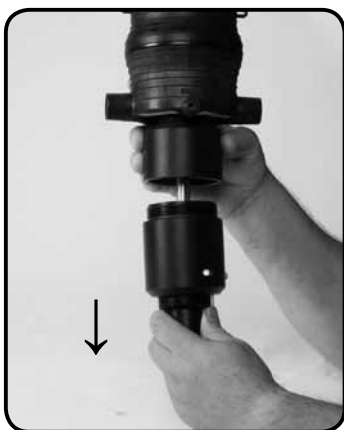


Schritt 8.
Ersetzen Sie den SCHAFT
#52, #16 DICHTUNG und #15
RETAINER.



Schritt 9.
Schrauben Sie den
AUSSENZYLINDER #7 in
den Körper ein.

Routine-Wartungsanleitung 20%



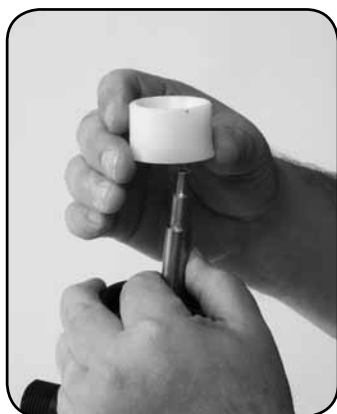
Schritt 1.
Schrauben Sie den
AUSSENZYLINDER #61 vom
Körper ab.



Schritt 2.
Twist zu entsperren und entfernen
Sie den CAPSCREW #93.



Schritt 3.
Entfernen Sie die
DOSIERKOLBENFÜHRUNG
#73, reinigen und überprüfen
Sie den O-Ring #14.



Schritt 4.
Entfernen Sie den
DOSIERKOLBEN #44.



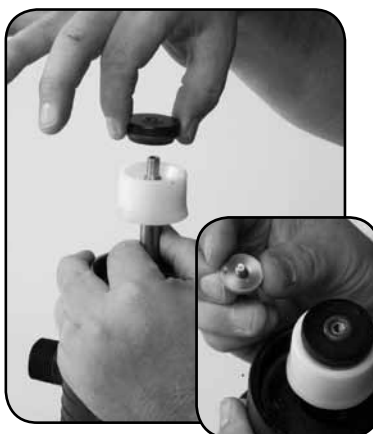
Schritt 5.
Entfernen Sie den ADAPTER
#72 so wie den O-Ring #68,
den DICHTRINGHALTER #15
und WELLENDICHTUNG
ABSTANDHALTER #83. Ersetzen Sie
falls beschädigt oder abgenutzt.



Schritt 6.
Entfernen und ersetzen Sie
den O-Ring #17. Installieren Sie
wieder den WELLENDICHTUNG
ABSTANDHALTER #83 und den
DICHTRINGHALTER #15.



Schritt 7.
Setzen Sie den O-Ring #68 ein
und schrauben Sie den Adapter
auf den Körper.



Schritt 8.
Ersetzen Sie die
DOSIERKOLBENFÜHRUNG #73 und
den Sie den DOSIERKOLBEN #44.



Schritt 9.
Aparafuse o CILINDRO
ESTERNO n° 61 no corpo.

Problemlösung

Neue Installation – Erhöhen Sie den Druck immer langsam (Folgen Sie der Inbetriebsetzung auf Seite 45)

Problem	Ursache	Lösung
Kein „Klicken“ ist hörbar	Das Wasser fließt nicht durch die Einheit	Sind die roten Kapfen an Eingang, Ausgang und Öffnungen des Saugschlauch Bausatzes entfernt? Ist die Einheit falschrum installiert? Der Pfeil auf der Einheit muss in die Richtung des Durchflusses zeigen. Wurde die neue Dosierpumpe für längere Zeit gelagert? Wenn ja, tauchen Sie den Injektor 24 Stunden bei Raumtemperatur in Wasser, so dass die Teile die Flüssigkeit aufsaugen können und zur normalen Größe anschwellen. Wenn es immer noch nicht klickt, öffnen Sie nicht den oberen Körper. Rufen sie den Dosmatic Kundendienst an.
	Wasser fließt durch die Einheit	Die Durchflussrate ist unter oder über der Nennströmung des Injektors. (Siehe technische Daten für maximale Durchflussrate auf Seite 42). Wenn drunter, erhöhen Sie die Durchflussrate. Wenn drüber, mindern Sie die Durchflussrate). Der Betriebsdruck überschreitet die Höchstgrenze. Installieren Sie ein Drucknachlassventil. (Siehe technische Daten für maximale Durchflussrate auf Seite 42). ON/OFF Schalter auf OFF. Setzen Sie den ON/OFF Schalter auf ON. Bypass Ventil nicht geschlossen. Überprüfen Sie und setzen Sie das Ventil auf OFF.

Dosierpumpe in Betrieb oder nach planmäßiger Wartung

Problem	Ursache	Lösung
Kein „Klicken“ ist hörbar	Hauptkolben Bausatz (#9) ist abgenutzt	Ersetzen Sie den Hauptkolben Bausatz. Reinigen Sie den Wasserfilter.
	Deckel (1#) oder Hauptkörper (#40) abgenutzt oder zerkratzt	Ersetzen Sie ihn, installieren Sie oder reinigen Sie den Wasserfilter.
	ON/OFF Schalter auf OFF	Setzen Sie den ON/OFF Schalter auf ON.
	Bypass Ventil nicht geschlossen	Nahe Bypass Ventil.
	Schmutziger oder verstopfter EingangsfILTER	Versichern Sie sich, dass die Maschengröße des Filters geeignet ist. Reinigen Sie den Filter.
	O-Ring (#17) abgenutzt oder nicht richtig eingerastet	Rasten Sie den O-Ring ein oder ersetzen Sie ihn.

Problem	Ursache	Lösung
Klicken ist hörbar, Lösung wird nicht angesaugt	Ansaugschlauch (#25) (#60 - 20%) oder Saugschlauch Bausatz (#11) brüchig, undicht, loser oder verstopfter Saugschlauch Filter.	Überprüfen Sie, dass der Schlauch fest sitzt, ersetzen Sie ihn und/oder reinigen Sie ihn wenn nötig.
	Dosierkolben (#44) abgenutzt oder nicht richtig installiert, oder innerer Zylinder #37 (#68 - 1% & #7 - 20%) abgenutzt	Ersetzen Sie ihn oder versichern Sie sich, dass der Dosierkolben während der Wartung erweitertes Ende aufwärts installiert wurde.
	Abdichtungs-Haltering #82 (#15 - 10% & 20%) nicht richtig installiert.	Installieren Sie ihn richtig.
	O-Ring (#14) oder Dosierkolben (#44) beschädigt oder abgenutzt	Ersetzen Sie ihn (#51 - 0.4%)
	Ventil (#13) undicht (#60 - 20%)	Reinigen Sie es und ersetzen Sie es wenn nötig.

Problem	Ursache	Lösung
Unter Einspritzen Kein Klickendes Geräusch	Dosierkolben (#44) abgenutzt	Ersetzen Sie ihn. (#51 - 0.4%)
	Innerer Zylinder #37 (#7 - 20%) abgenutzt	Ersetzen Sie ihn.
	Einheit arbeitet mit hohem Durchfluss und nicht mit niedrigem Durchfluss	Ersetzen Sie den O-Ring (#17).
	Hauptkolben Bausatz (#9) ist abgenutzt	Ersetzen Sie den Hauptkolben Bausatz. Reinigen Sie den Wasserfilter.
	Deckel (1#) oder Hauptkörper (#40) abgenutzt oder zerkratzt	Ersetzen Sie ihn, installieren Sie oder reinigen Sie den Wasserfilter.

Problem	Ursache	Lösung
Flüssigkeit Auffüllen Lösungsbehälter	Kontrollventil (#13) auf Undichtheit	Überprüfen Sie die Sitzfläche des Saugschlauch Bausatz (#11- nicht PAA 0.4% & 20%). Kontrollventil und Dichtung müssen lose in den Saugschlauch Bausatz passen. Reinigen Sie die Dichtung und das Innere des Bausatzes.
	Dichtung (#13) ist angeschwollen oder chemisch angegriffen.	Ersetzen Sie sie oder installieren Sie ein Kontrollventil.
	Schlauch-kit #60 (20%) auf Undichtheit	Ersetzen Sie ihn.

Garantie



Wir gratulieren Ihnen zu diesem Kauf

Dosmatic steht für die besten und zuverlässigsten, wasserbetriebenen Injektoren und bietet Ihnen dafür die beste Garantie, die es auf dem Markt gibt. Dosmatic bietet Ersatz für alle Teile an, die Material- und Produktionsfehler erweisen, für die folgenden Zeiträume ab Erwerb beim Originalvertreiber:

3 Jahre	Gehäuse und Körper
2 Jahre	Der Motorkolben Bausatz
1 Jahr	Unteres Teil der Pumpe (chemische Pumpe)

Die Dosmatic Produkte garantieren frei von Material- und Herstellungsfehlern in den oben genannten Zeiträumen zu sein. Dosmatic wird nach eigener Wahl jedes Teil, dass im normalen Gebrauch Fehler aufweist, reparieren oder ersetzen. Die Garantiereparaturen werden nicht über die anfänglichen Garantiezeiten erweitert.

Um Ihre Garantie zu erhalten

Ihre einzige Pflicht ist normale Wartung – einlaufende Flüssigkeiten und Lösungen zu filtern, O-Ringe und Dosierungskolben zu ersetzen. Dichtungen und O-Ringe werden nicht gedeckt.

Die Garantie deckt nicht Defekte durch Missbrauch, fehlende Wartung, Wasserverunreinigungen, wie bei Sand und Eisenpartikeln, fehlerhafte Installation, Gefrieren, Flüssigkeit oder Flüssigkeitsschlag, Schäden durch Missbrauch, Übermaß oder Folgeschäden von Einspritzung der Chemikalien oder Service von jedem nicht autorisierten Dienstleister. Dosmatic übernimmt keinerlei Haftung wenn das Produkt nicht gemäß der Bedienungsanleitung und den Technischen Angaben in diesem Handbuch gebraucht wird.

Die Garantie wird ungültig wenn der Körper auseinandergenommen wird. Wenn sie glauben, dass es ein Problem beim Zusammenbau des Motorkolben oder im Inneren der Körpers gibt, wenden Sie sich bitte an Dosmatic oder an ein zugelassenes Reparaturdienst um den Injektor für seine Auswertung oder Reparatur einzusenden.

UNTER KEINEN UMSTÄNDEN HAFTET DOSMATIC FÜR AUßERORDENTLICHE, BESONDERE, INDIRECTE ODER FOLGESCHÄDEN DURCH GEBRAUCH, MISSBRAUCH ODER UNFÄHIGKEIT DIESES PRODUKT ZU GEBRAUCHEN ODER DURCH PRODUKTFEHLER.

Es besteht keinerlei Haftung auf Produkte, die in Zusammenhang mit Dosmatic eingesetzt werden oder wurden.

Dosmatic oder zugelassene Vertreiber haften nicht für Außerordentlich- und Folgeschäden, wie wirtschaftliche Einbußen. Dosmatic bewahrt das Alleinrecht auf Reparatur oder Ersatz des Produktes. Dieses Rechtsmittel ist Ihr alleiniges und ausschließliches Rechtsmittel für jegliche Garantieverletzung. Es existieren keine weiteren Garantieverpflichtungen, außer der hier oben Beschriebenen.

Produktübergabe für Garantie- oder Nichtgarantiereparaturen:

Siehe Seite 3 für Dosmatic Land Kontaktinformation.

1. Bereinigen Sie die Einheit mit Wasser von jeglichen Chemikalien. Packen Sie die Einheit gut ein, um sie von Lieferschäden zu schützen.
2. Um Garantie- oder Nichtgarantiereparaturen oder Auswertung zu BESCHLEUNIGEN, fügen Sie bitte Folgendes bei: ein Kopie der Originalrechnung, die Seriennummer der Einheit, benutzte Chemikalie, Kontaktinformation und Rückautorisierungsnummer (RA), kontaktieren Sie Ihren Kundendienst um sie zu erhalten.
3. Senden sie die freigemachte Fracht an Dosmatic oder Ihren Vertreiber. Für Ihren Vertreiber oder um an Dosmatic zurückzusenden, kontaktieren Sie Ihren Dosmatic Kundendienst.
4. Für Garantiereparaturen: nach Inspektion und Feststellung der Produktions- oder Herstellungsfehler wird die Reparatur oder der Ersatz der Einheit nach Diskretion von Dosmatic gemacht, und ohne Kosten zurückgeschickt.
5. Für Nichtgarantiereparaturen: nach Inspektion wird Dosmatic oder ein Vertreiber Sie mit einem Kostenvoranschlag anrufen.

Español

Índice

Principio Operativo	55
Contenido de la caja	56
Características Técnicas	56
Precauciones de Seguridad	57
Cumplimiento de la Garantía	57
Consejos Generales	57
Instrucciones de Operación	58
Instalación y Puesta en Marcha	59
Diagrama de Instalación Sugerida	59
Mantenimiento	60
Inyección Remota	60
Instrucciones para Mantenimiento de Rutina 0.4%	61
Instrucciones para Mantenimiento de Rutina 1%	62
Instrucciones para Mantenimiento de Rutina	63
2.5% & 5%	63
Instrucciones para Mantenimiento de Rutina 10%	64
Instrucciones para Mantenimiento de Rutina 20%	65
Localización y Solución de Problemas	66
Garantía	67

Por favor, lea el manual con atención, antes de poner en funcionamiento su dosificador Dosmatic.

En este manual encontrará la información sobre el uso y cuidado de su nuevo dosificador Dosmatic. Si tiene alguna pregunta sobre el dosificador, la garantía, mantenimiento de rutina o uso apropiado, por favor, comuníquese con el distribuidor más cercano o con atención al cliente de Dosmatic.

Los modelos fueron diseñados para dosificar líquidos o polvos solubles recomendados y aprobados para ser inyectados en sistemas de fluidos.

Es responsabilidad del usuario determinar el porcentaje de dosificación de la unidad acorde a la recomendación del fabricante del químico para inyectar su producto, así como la comprobación periódica de que la concentración deseada es mantenida en el tiempo.

Mantenimiento y Garantía

Dosmatic brinda una garantía limitada de tres años, contados a partir de la fecha original de compra, que cubre sólo defectos en el material y la fabricación. El uso y cuidado apropiados de su equipo permitirá una vida útil duradera. Lea los términos completos de la garantía en la página 67.

Para su archivo

El N° de serie de su dosificador Dosmatic está ubicado en el cuerpo de la unidad. Por favor, escriba el N° en el espacio provisto y haga referencia a él si se comunica con su distribuidor o Dosmatic para obtener información, repuestos y reparaciones.

N° de serie.....

Fecha de compra.. ..

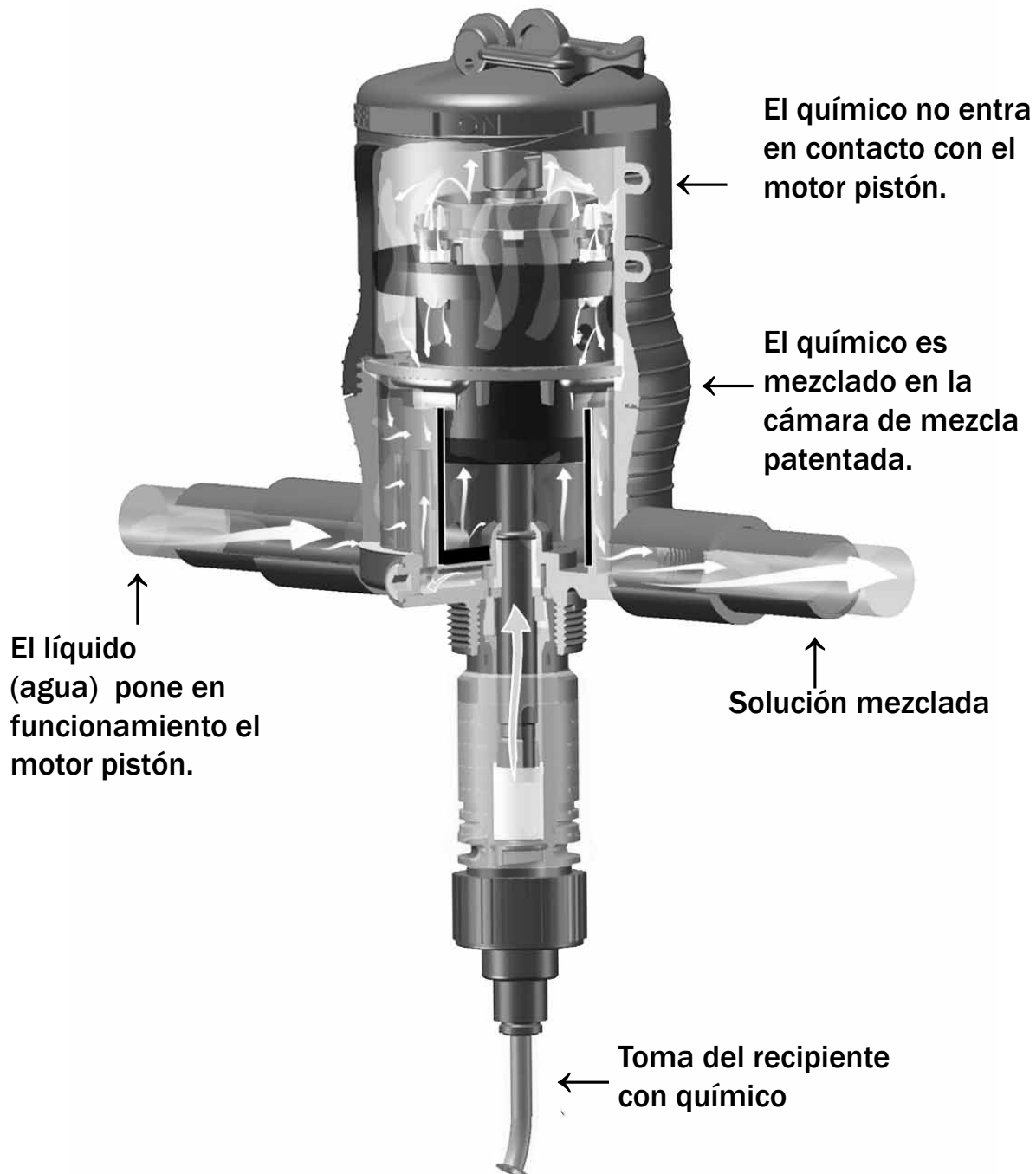
Importante:
**¡Complete el formulario
de registro de productos
en nuestro sitio en Internet
www.dosmatic.com!**

Este documento no constituye documento contractual por parte de Dosmatic y es sólo a título informativo. Dosmatic se reserva el derecho de modificar las especificaciones y apariencia del producto sin notificación previa.

Principio Operativo

Preciso y Confiable

Instalado directamente en la línea de agua, el dosificador funciona sin electricidad, utilizando la presión del caudal como fuente de energía. El líquido pone en funcionamiento el motor pistón que acciona el cilindro dosificador. Éste a su vez succiona el porcentaje requerido de solución directamente del tanque. Dentro de la cámara de mezcla patentada de Dosmatic, la solución se homogeniza con el líquido y la presión hace que esa mezcla sea conducida aguas abajo. La cantidad de solución inyectada será directamente proporcional al volumen de líquido que ingresa al dosificador, independientemente de las variaciones de caudal y presión.

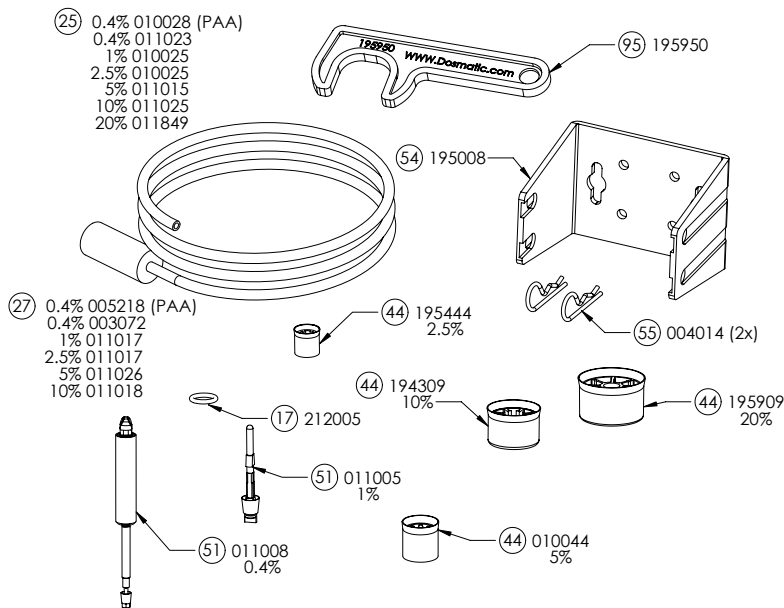


Contenido de la caja

Junto con el dosificador
podrá encontrar los siguientes componentes:

Dosificador Dosmatic (no representado) Soporte de montaje
Pistón dosificador Pernos y tuercas de montaje
O-ring Filtro
Manual (no representado) Manguera para succión
Asamblea de eje inferior

Dosmatic USA
Certificación ISO 9001:2008 SGC



	Modelo	NPT	BSP
	0.4%	112608	112609
	0.4% Pesados	112638	112639
	0.4% PAA	112608K	112609K
	1%	112600	112601
	1& Pesados	112630	112631
	2.5%	112602	112603
	2.5% Pesados	112632	112633
	5%	112604	112605
	5% Pesados	112634	112635
	10%	112606	112607
	10% Pesados	112636	112637
	20%	112620	112621
	20% Pesados	112640	112641
	20% inyección remota	112622	112623

Características Técnicas



MiniDos 7 gpm (65 psi máx.)

Modelo 20% 4% - 20% (1:25 - 1:5)

Caudal de trabajo: 0.07 - 7 gpm (0,26 - 27 l/mn)

Presión operativa: 6 - 65 psi (0,41 - 4,5 bar)

Conexión: 3/4" NPT/BSP

MiniDos 10 gpm (65 psi máx.)

Modelo 10% 2% - 10% (1:50 - 1:10)

Caudal de trabajo: 0.07 - 10 gpm (0,26 - 38 l/mn)

Presión operativa: 6 - 65 psi (0,41 - 4,5 bar)

Conexión: 3/4" NPT/BSP

MiniDos 12 gpm (140 psi máx.)

Modelo 0.4% 0.025% - 0.4% (1:4000 - 1:250)

Modelo 1% 0.20% - 1% (1:500 - 1:100)

Modelo 2.5% 0.50% - 2.5% (1:200 - 1:40)

Modelo 5% 1% - 5% (1:100 - 1:20)

Caudal de trabajo: 0.03 - 12 gpm (0,25 - 46 l/mn)

Presión operativa: 6 - 140 psi (0,41 - 9,7 bar)

Conexión: 3/4" NPT/BSP

Carcaza	Materiales especiales patentados
Precisión de la dosificación	+/- 10% del porcentaje de dosificación
Capacidad de repetición	+/-3%
Pérdida de presión	Disponible a pedido
Temperatura máxima	38°C
Temperatura mínima	1°C
Máxima succión vertical del concentrado	4 mts
Máxima succión horizontal del concentrado	15 mts
Autocebante	Sí
Material de sellos disponibles:	Aflas- ácido concentrado Viton - ácidos, aceites y pesticidas EPDM - químicos de base *Contáctese con su representante Dosmatic para mayor información sobre los productos químicos
Viscosidad máxima	1,500 cP (Ejemplo miel)
Accesorios recomendados	filtro de +140 mesh, válvula de retención, regulador de presión, restrictor de caudal.

Precauciones de Seguridad Cumplimiento de la Garantía



Advertencia, Lea las precauciones en su totalidad antes de poner en funcionamiento, por favor. Debe respetar todas las normativas locales pertinentes.

Quite los tapones rojos antes de la instalación

Cada modelo es 100% probado en fábrica antes del envío y puede contener una pequeña cantidad de agua. Los tres (3) tapones rojos son colocados luego de la prueba para asegurar la higiene del dosificador.

Antes de utilizar químicos agresivos

Póngase en contacto con su distribuidor, fabricante del químico o con atención al cliente de Dosmatic para confirmar la compatibilidad química con el dosificador. Siempre use la protección de seguridad apropiada recomendada por el fabricante de químico.

Señale las tuberías, válvulas y conexiones

Si el químico inyectado torna el agua no apta para el consumo, todas las tuberías deben llevar un distintivo como el que sigue:

¡ATENCIÓN: AGUA NO APTA PARA CONSUMO HUMANO!

Controle el caudal aguas abajo

Es responsabilidad del usuario controlar la salida del químico inyectado.

Filtro recomendado y obligatorio

Instale un filtro de 140 mesh (104 micrones) o más fino dependiendo de la calidad del líquido en su sistema en la entrada de su dosificador para prolongar la vida útil de su dosificador y para asegurar la validez de su garantía. Un filtro es imperativo ya que la mayoría de los fluidos tienen impurezas o partículas especialmente si la fuente es un pozo, estanque o lago.

Evite un potencial accidente con químicos peligrosos

Elija un lugar seguro. El tanque debe estar fuera del alcance de los niños y de zonas de tránsito frecuente. No debe ser expuesto a temperaturas de congelamiento.

Evite la contaminación de la solución

Utilice únicamente agua limpia FILTRADA. No permita que agentes contaminantes ingresen al tanque de la solución, ya que éstos serían bombeados a la tubería de líquido y podrían provocar la propagación de enfermedades. Suciedad, desechos y otros contaminantes en el tanque de solución también podrían provocar un desgaste excesivo.

Temperatura del líquido

Mín.: 34 °F (1 °C) Máx.: 100 °F (38 °C)

Presión máxima del líquido

Modelos 0.3%, 2.5%, 5% - 140 psi (9,7 bar)
Modelos 10% y 20%: presión operativa máx. de 65 psi (4,5 bar).
Si utiliza el kit de inyección remota, la presión operativa y el caudal de trabajo serán reducido.
Instale un regulador de presión y/o válvula de descompresión para asegurar que la presión operativa no exceda la máxima especificada.

Antes de quitar el dosificador del sistema

Descomprima la línea de líquido. Cuando el sistema está en funcionamiento, cierre la válvula de entrada. Deje la válvula aguas abajo abierta para despresurizar el dosificador y todas las partes del sistema aguas abajo. Así, será seguro desinstalar el dosificador.

Consejos Generales

Dedique un momento para leer este manual de instrucciones en su totalidad. Siga sus instrucciones ya que ayudarán a prolongar la vida útil de su dosificador.

Para una vida útil prolongada

Comience con líquidos o fluidos limpios utilizando un filtro en línea para reducir la presencia de impurezas. Mantenga el contenedor con la solución química cubierto y limpio. Siempre deje el filtro en el contenedor con la solución como mínimo a 5 cm (2") del fondo del contenedor. Asimismo, realice las tareas de mantenimiento recomendadas. (Lea "Mantenimiento" en pág. 60).

Utilización de polvos solubles

Al usar un producto químico soluble en agua, cerciórese de que está disuelto por completo antes de poner en marcha el dosificador. Usted puede disolver el producto químico en agua caliente, si es necesario, pero permita que el agua se enfríe antes de utilizarlo. En caso de no disolver totalmente el producto químico que es inyectado, se provocará un desgaste prematuro del pistón dosificador y del cilindro interno.

Evite exponer su Dosmatic a temperaturas extremas

Proteja el dosificador de temperaturas de congelamiento o calor excesivo.

Enjuague el dosificador después de cada uso

Si queda solución en el interior del dosificador, ésta se puede secar y dañar el cilindro dosificador cuando se ponga en marcha nuevamente. (Lea "Mantenimiento" en la pág. 60).

Dosificador sin uso por un tiempo prolongado

Si su dosificador no ha sido almacenado apropiadamente, es posible que los depósitos se hayan secado dentro del motor. (Lea "Mantenimiento" en la pág. 60). Antes de ponerlo en funcionamiento, sumerja toda la unidad en agua, colóquela en un lugar a una temperatura de aproximadamente 22°C (72°F) durante 8 horas.

Instrucciones de Operación

Funcionamiento Normal: Sonido de “Clics” dentro del motor

El caudal del líquido hará que el dosificador emita un sonido de “clics” y que inyecte la dosis establecida de solución en la línea de agua. A mayor caudal, mayor será la frecuencia de los “clics”. El dosificador fue diseñado para inyectar proporcionalmente la solución (al mismo porcentaje de dosificación) independientemente del caudal.

Caudal de operación

El caudal y la presión del líquido no deben exceder aquellos especificados para su modelo (Lea “Características técnicas” en pág. 56).

Ajuste de la dosificación

La dosificación en la unidad es regulable INCLUSO CUANDO ESTÁ EN FUNCIONAMIENTO Y BAJO PRESIÓN. Para ajustar la dosificación, consulte Fig. 1 (a, b o c) y Fig. 2 (a, b, o c) según el rango de dosificación. No remueva la pieza N°79 cuando el dosificador está en operación o bajo presión.

MiniDos 0.4%, 1%, 2.5% y 5%, consulte Fig 1a y 2a

Rote la camisa de regulación de dosificación (N°61 en Fig. 1a) hacia arriba o abajo con el indicador de la dosificación (Fig 2a) para obtener la dosificación deseada.

MiniDos 10%, consulte Fig 1b y 2b

1. Retire el Pasador, seguro superior (N°65 en Fig. 1b).
2. Rote la camisa de regulación de dosificación (N°61) hacia arriba o abajo para obtener la dosificación deseada. Alinee en la escala la parte superior de la camisa de regulación con el porcentaje deseado (Fig. 2b).
3. Reinserte el pasador, seguro superior (N°65). El pasador debe estar paralelo a la escala para poder reinsertarse.

MiniDos 20%, consulte Fig 1c y 2c

1. Retire el Pasador, seguro superior (N°79 en Fig. 1c).
2. Rote el cilindro externo (N°7) hacia arriba o abajo para obtener la dosificación deseada. Alinee en la escala la parte superior del cilindro externo con el porcentaje deseado (Fig. 2c).

Interruptor Bypass

La inyección de la solución en la cañería puede TEMPORALMENTE interrumpirse con el mecanismo bypass (Fig. 3). Si posiciona el interruptor ON/OFF en “OFF”, el líquido pasa por el dosificador sin que se inyecte el químico. No se oír el ruido de “clics” del motor.

En la posición “ON”, el dosificador operará normalmente y emitirá nuevamente “clics” cuando el líquido ingrese al dosificador. Se recomienda utilizar una instalación en disposición de tres válvulas (Consulte Fig. 5) para derivar el agua o realizar mantenimiento.

Posición de funcionamiento (“clics” en motor)

Posición detenida (sin “clics” en motor)

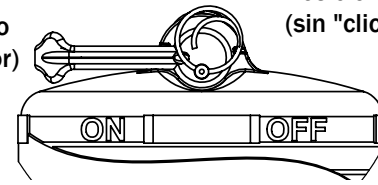


Fig. 3

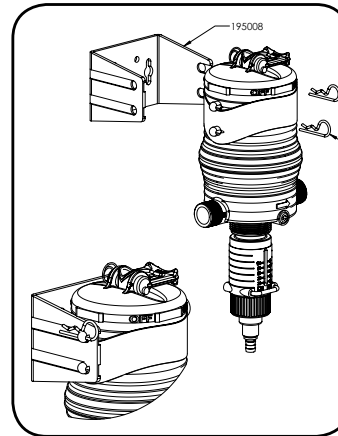
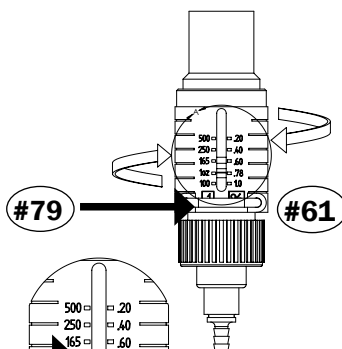


Fig. 4
Montaje típico en pared

Nota: No desenrosque la camisa de regulación de dosificación por debajo de la escala de dosificación. Compruebe la solución final aguas abajo para asegurarse de que el porcentaje correcto es dosificado.

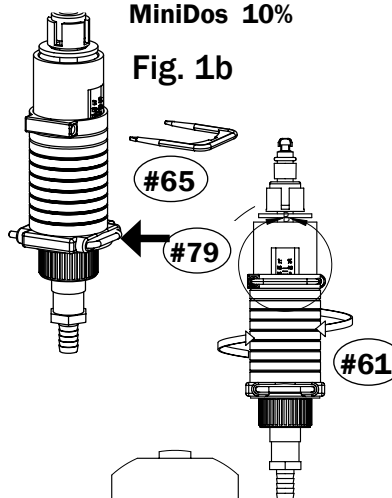
MiniDos 0.4%, 1%, 2.5% and 5%

Fig. 1a



MiniDos 10%

Fig. 1b



MiniDos 20%

Fig. 1c

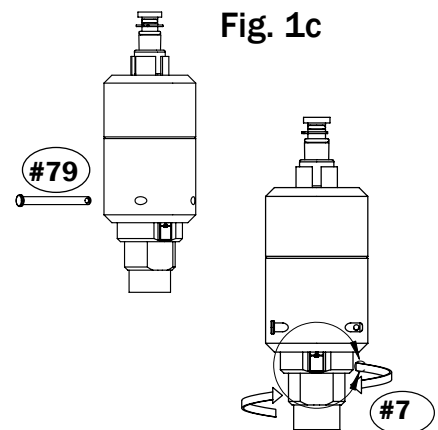


Fig. 2a

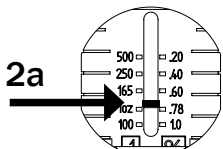


Fig. 2b

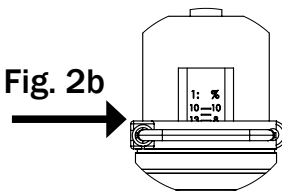
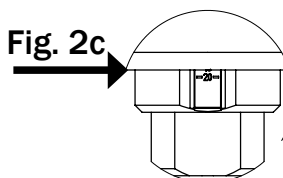


Fig. 2c



Instalación y Puesta en Marcha

Consulte Fig. 4 y Fig. 5

Filtro para líquidos (Obligatorio)

Instale un filtro de 140 mesh (104 micrones) o menor dependiendo de la calidad del líquido en su sistema en la entrada de su dosificador para prolongar su vida útil y para la validéz de su garantía. Dosmatic recomienda un filtro Twist II Clean® que puede adquirirse junto con su dosificador.

Montaje del dosificador

Monte el dosificador a un soporte sólido como una pared o directamente sobre la línea de fluido líquido. Observe la flecha en el dosificador que indica el sentido del caudal.

Válvula anti-retorno (recomendado)

Instale una válvula que cumpla las normativas locales.

Regulador de presión (recomendado)

Previene que la presión exceda las especificaciones técnicas de la unidad.

Disposición de válvulas - bypass (recomendado)

Permite que el dosificador pueda ser removido del sistema para tareas de mantenimiento o almacenamiento cuando no está en funcionamiento.

Dispositivo para golpe de ariete (recomendado)

Previene el daño por golpe de ariete, si se está operando con válvulas solenoides, válvulas neumáticas de cerrado rápido o incluso si se está operando con válvulas de bola manuales en su sistema de agua.

Válvula anti-sifón (opcional)

Para evitar que el químico concentrado (del tanque) sea expulsado a la fuente cuando la válvula de aguas arriba está cerrada. La válvula anti-sifón debe instalarse en la cañería aguas abajo de la unidad.

Prevención adicional de efecto sifón

Coloque el tanque con la solución concentrada por debajo de la boquilla para manguera para succión del dosificador. Si utiliza la válvula de entrada como una válvula de corte, puede causar que el producto concentrado sea expulsado en la línea aguas arriba.

Tanque de solución

Puede utilizar un tanque de cualquier tamaño. Se recomienda utilizar uno que cuente con una tapa. Para instalar el tanque de solución inserte cuidadosamente la manguera para solución en la boquilla para manguera. Coloque el filtro en el tanque de la solución dejando como mínimo 5 cm (2") de producto químico. Ve que el filtro esté cubierto por al menos 5 cm (2") de solución química.

Nunca utilice lubricantes derivados de petróleo

Recibirá el dosificador Dosmatic con una capa fina de silicona en torno a las juntas colocadas para facilitar el ensamblaje. Nunca utilice en los o-rings o en cualquier parte del dosificador lubricantes derivados del petróleo como vaselina, aceite de bebé, WD 40®, aceite de motor, etc. porque pueden hacer que las partículas se adhieran y obstaculicen o dañen el dosificador.

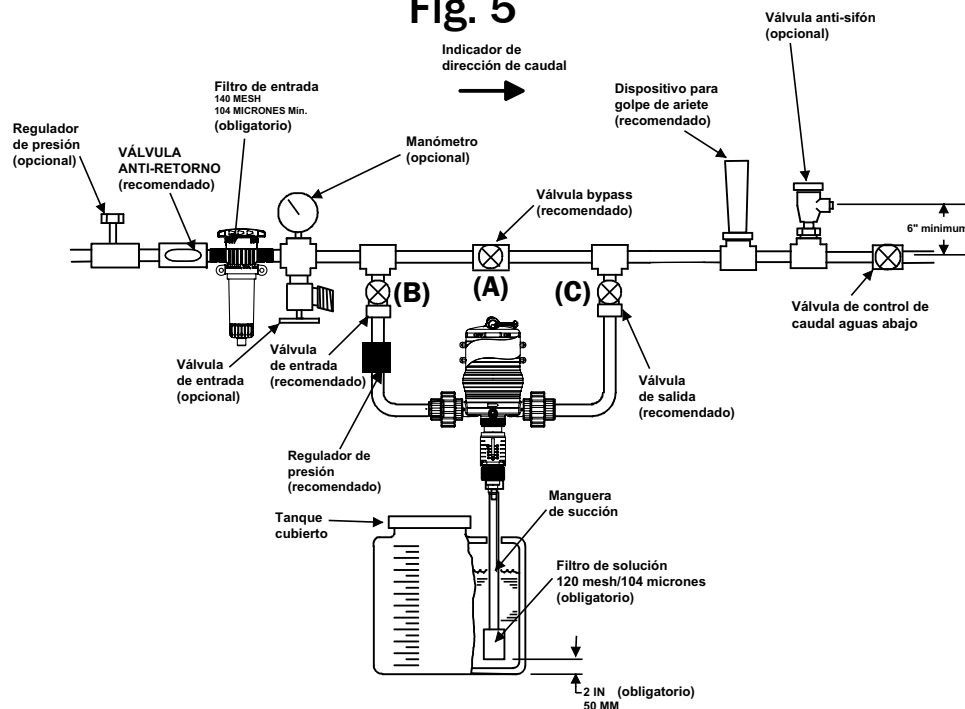


Revisión de pérdidas en el sistema y puesta en marcha

Abra la válvula bypass (A), cierre la válvula de entrada (B) y la válvula de salida (C), para que el líquido no ingrese al dosificador. Abra LENTAMENTE la tubería principal. Deje que el caudal corra entre 11 a 45 lpm (5 -12 gpm) en el sistema de tuberías. Abra todas las válvulas situadas aguas abajo del dosificador para expulsar aire que haya quedado atrapado. Abra LENTAMENTE la válvula en la conexión de entrada del dosificador (B). Abra la válvula (C) a la salida del dosificador. Cierre la válvula (A). El líquido circulará libremente a través del dosificador, oírá "clicks". Observe si existe alguna pérdida y haga las correcciones necesarias.

Diagrama de Instalación Sugerida

Fig. 5



Inyección Remota

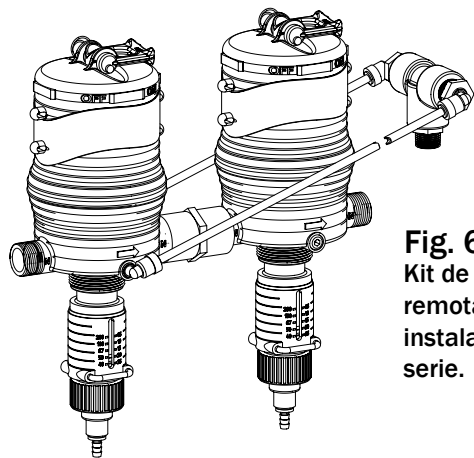


Fig. 6
Kit de inyección remota en instalación en serie.

Kit de inyección remota (no incluido)
Se recomienda para los siguientes casos:

Códigos de kits
011762

Instalación en serie:

Para inyectar varios químicos, puede hacerlo con dos o más dosificadores. Cada dosificador inyecta el químico en el sistema de líquido (o agua), deriva la mezcla y evita que el próximo dosificador entre en contacto con ella, así se evita el daño potencial (Fig. 6). Para prevenir la acumulación de minerales en el cuerpo de la unidad. Utilice este kit cuando inyecte químicos que causan precipitados minerales en los líquidos.

NOTA: cuando mezcle más de un químico, siempre consulte la guía informativa del fabricante del químico para la aplicación apropiada. Comuníquese con su distribuidor local o con atención al cliente de Dosmatic, si desea más información o colocar un pedido.

Mantenimiento

Referencias en págs. 83 a 90

Realice tareas de mantenimiento para prolongar la vida útil del dosificador.

ENJUAGUE EL DOSIFICADOR DESPUÉS DE CADA USO

Si queda solución en el interior del dosificador, ésta se puede secar y dañar el conjunto dosificador cuando se ponga en marcha nuevamente. Coloque la manguera para succión dentro de un tanque con 1 litro (1qt.) o más de agua limpia y filtrada. Haga funcionar el dosificador con agua limpia hasta que el tanque esté vacío. Este procedimiento no es necesario si la operación es continua.

LIMPIE EL TANQUE CON LA SOLUCIÓN

Manténgalo cubierto para evitar que tierra, insectos, plumas y agentes contaminante ingresen al tanque. Enjuague el tanque frecuentemente y por completo. No mezcle soluciones químicas que pueden reaccionar generando precipitaciones. Utilice únicamente AGUA FILTRADA cuando llene el tanque.

LIMPIE LA MALLA DE FILTRO DE SOLUCIÓN

Compruebe el estado cada vez que utilice una nueva solución. Limpie el filtro (Nº27) y la manguera (Nº25) tan seguido como sea necesario con agua limpia. Reemplácelos, si fuese necesario. No permita que el filtro toque el fondo del tanque con la solución para evitar que se obstruya con depósitos o precipitados.

LIMPIE EL FILTRO DE ENTRADA

Límpielo o reemplácelo cuando sea necesario con el fin de prolongar la vida de su dosificador y disminuir la pérdida de carga.

DOSIFICADOR EN BYPASS

Cuando el dosificador no esté en marcha, colóquelo en modo bypass con el sistema de disposición en 3 válvulas (recomendado). Utilice el interruptor on/off del dosificador para derivar el líquido en la posición "off".

ALMACENAMIENTO

Para almacenamiento prolongado, enjuague el dosificador con agua fresca (Lea "Enjuague el dosificador después de cada uso") y sumerja la unidad y las piezas en un recipiente con agua. Una vez por mes, aplique una pequeña cantidad, 29 ml (<0.1 oz.), de lavandina para evitar el desarrollo de algas. EVITE LA EXPOSICIÓN A TEMPERATURAS BAJO CERO.

Consulte las páginas 84 y 85
Modelos MiniDos (0.4%) & 0.4% PAA

Consulte las páginas 86
Modelos MiniDos (1%)

Consulte las páginas 87 y 88
Modelos MiniDos (2.5%), (5%)

Consulte las páginas 89
Modelos MiniDos (10%)

Consulte las páginas 90
Modelos MiniDos (20%)

Cada 3 - 6 meses	Cada 6 - 12 meses	Reemplace cuando fuese necesario
<ol style="list-style-type: none"> Limpie el asiento de las juntas (Nº13). Revise el O-ring Nº17, revise, limpie y, si fuese preciso, cambie el Conjunto de eje y pistón dosificador Nº51. 	<ol style="list-style-type: none"> Cambie el O-ring Nº17 y el Conjunto de eje y pistón dosificador Nº51. Limpie y/o cambie la válvula de retención Nº13. Verifique la boquilla de manguera para succión Nº11. 	<ol style="list-style-type: none"> Cilindro Nº37 O-ring Nº17. Conjunto de eje y pistón dosificador Nº51.

Cada 3 - 6 meses	Cada 6 - 12 meses	Reemplace cuando fuese necesario
<ol style="list-style-type: none"> Limpie el asiento de las juntas (Nº 17, 14 & 13). Revise el O-ring Nº17, revise, limpie y, si fuese preciso, cambie el cilindro Nº68. 	<ol style="list-style-type: none"> Cambie el O-ring Nº17 y el pistón dosificador Nº44. Limpie y/o cambie la válvula de retención Nº13. Verifique la boquilla de manguera para succión Nº11. 	<ol style="list-style-type: none"> Cilindro Nº68 O-ring Nº14, 17. Conjunto de eje y pistón dosificador Nº51. Pistón dosificador Nº44.

Cada 3 - 6 meses	Cada 6 - 12 meses	Reemplace cuando fuese necesario
<ol style="list-style-type: none"> Limpie el asiento de las juntas (Nº 17, 14 & 13). Revise el O-ring Nº17, revise, limpie y, si fuese preciso, cambie el cilindro Nº37. 	<ol style="list-style-type: none"> Cambie el O-ring Nº17 y el pistón dosificador Nº44. Limpie y/o cambie la válvula de retención Nº13. Verifique la boquilla de manguera para succión Nº11. 	<ol style="list-style-type: none"> Cilindro Nº37 O-ring Nº14, 17. Conjunto de eje y pistón dosificador Nº52. Pistón dosificador Nº44.

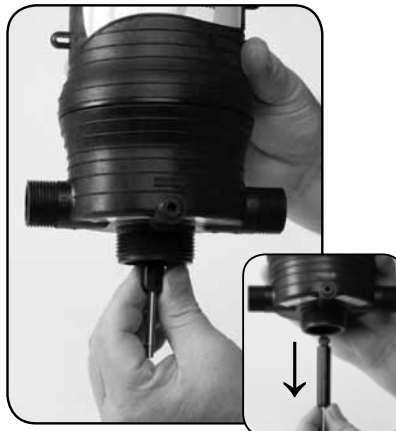
Cada 3 - 6 meses	Cada 6 - 12 meses	Reemplace cuando fuese necesario
<ol style="list-style-type: none"> Limpie el asiento de las juntas (Nº 17, 14 & 13). Revise el O-ring Nº17, revise, limpie y, si fuese preciso, cambie el cilindro Nº37. 	<ol style="list-style-type: none"> Cambie el O-ring Nº17 y el pistón dosificador Nº44. Limpie y/o cambie la válvula de retención Nº13. Verifique la boquilla de manguera para succión Nº11. 	<ol style="list-style-type: none"> Cilindro Nº37 O-ring Nº14, 17. Conjunto de eje y pistón dosificador Nº52. Pistón dosificador Nº44.

Cada 3 - 6 meses	Cada 6 - 12 meses	Reemplace cuando fuese necesario
<ol style="list-style-type: none"> Limpie el asiento de las juntas (Nº 17, 14). Revise el O-ring Nº17, revise, limpie y, si fuese preciso, cambie el cilindro Nº7. 	<ol style="list-style-type: none"> Cambie el O-ring Nº17 y el pistón dosificador Nº44. Limpie y/o cambie Nº 60. 	<ol style="list-style-type: none"> Cilindro Nº7 O-ring Nº14, 17. Pistón dosificador Nº44.

Instrucciones para Mantenimiento de Rutina 0.4%



Paso 1.
Unscrew #7 OUTER CYLINDER
from body.



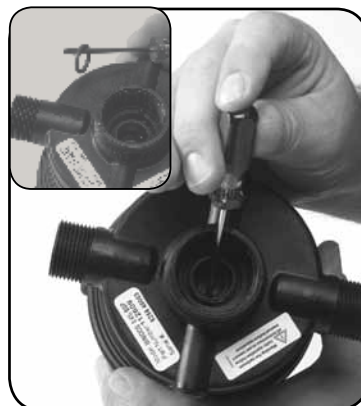
Paso 2.
1/4 turn to remove #51 SHAFT
ASSEMBLY



Paso 3.
Remove #16 Gasket.



Paso 4.
Remove #82 SHAFT SEAL SPACER.



Paso 5.
Remove #17 O-ring.



Paso 6.
Replace #17 O-ring.



Paso 7.
Replace #82 SHAFT SEAL
SPACER and #16 Gasket.

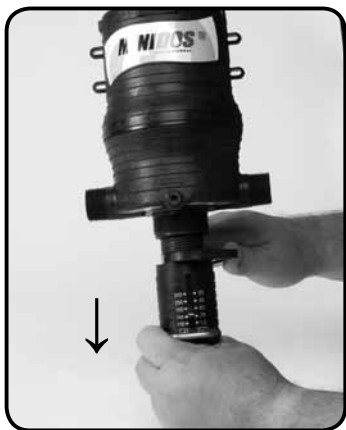


Paso 8.
Replace #51 SHAFT ASSEMBLY.



Paso 9.
Screw #7 OUTER CYLINDER
onto body.

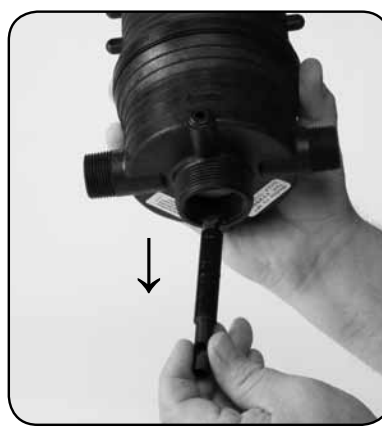
Instrucciones para Mantenimiento de Rutina 1%



Paso 1.
Desenrosque el CILINDRO EXTERIOR N°7 del cuerpo.



Paso 2.
1/4 a desbloquear y eliminar # 51 inferior del eje y reemplazar.



Paso 3.
Extraiga el EJE SUPERIOR N°52.



Paso 4.
Retire la JUNTA #16 y el SEPARADOR DE JUNTA.



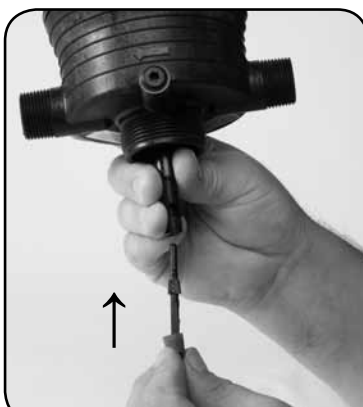
Paso 5.
Extraiga el O-ring N° 17 y reemplace. Reemplace el O-ring N°17.



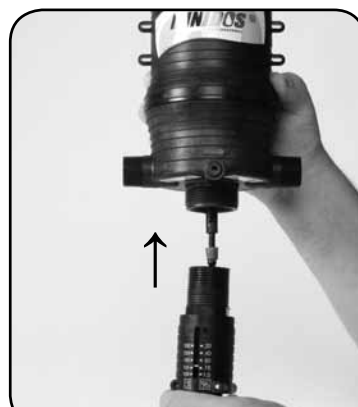
Paso 6.
Después de reemplazar a 82 # sello separador y # 18 juntas, reemplazar # 52 eje superior. Gire 1/4 vuelta para bloquear en el lugar.



Paso 7.
Reinserte del sellar espaciador N°17 y Junta de la N°16.



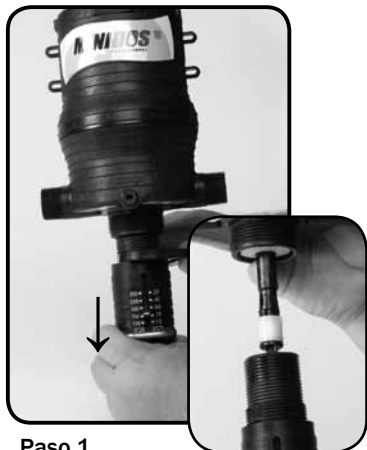
Paso 8.
Vuelva a instalar el eje inferior con nuevos pistones de dosis y gire 1/4 vuelta a bloquear.



Paso 9.
Enrosque el CILINDRO EXTERNO N°7 en el cuerpo de la unidad.

Instrucciones para Mantenimiento de Rutina

2.5% & 5%



Paso 1.
Desensrosque el CILINDRO EXTERIOR N°7 del cuerpo.



Paso 2.
Gire EJE #51 o #52 90° y extráigalo.



Paso 3.
Reemplace el PISTÓN DOSIFICADOR #44 con las lengüetas delgadas hacia arriba. Limpie y compruebe el o-ring #14 reemplace en caso necesario.



Paso 4.
Extraiga del Limpie el asiento de las juntas N° 16 y N° 82.



Paso 5.
Reemplace el O-ring N°17.



Paso 6.
Reinserte del EJE INFERIOR N°52 y O-ring N°17.



Paso 7.
Reinserte del Junta de la N°16 y sellar espaciador N°17.

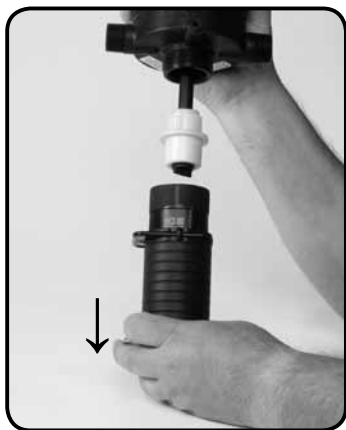


Paso 8.
Reinstale el eje inferior con el nuevo pistón dosificador girando 90° para que quede en su lugar.



Paso 9.
Enrosque el CILINDRO EXTERNO N°7 en el cuerpo de la unidad.

Instrucciones para Mantenimiento de Rutina 10%



Paso 1.
Desenrosque el CILINDRO EXTERIOR N°7 del cuerpo.



Paso 2.
Giro para desbloquear y extraiga el eje N°52, JUNTA DE LA N° 16 y RETENEDOR N° 15.



Paso 3.
Retire el SEPARADOR DE LA JUNTA DEL EJE #83.



Paso 4.
Retire el O-ring #17 y reemplace.



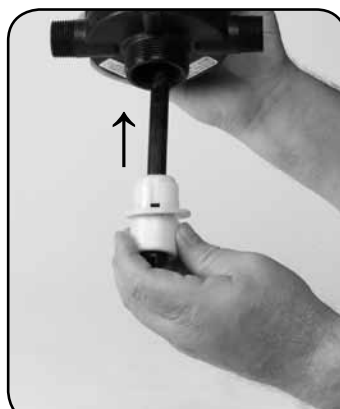
Paso 5.
Reemplace el SEPARADOR DE LA JUNTA DEL EJE #83.



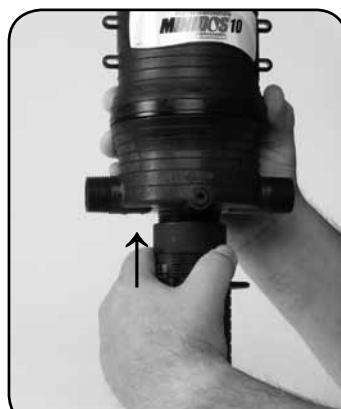
Paso 6.
Presione las pestañas en el eje y retire el PISTÓN DOSIFICADOR #44.



Paso 7.
Reemplace el PISTÓN DOSIFICADOR #44 con las lengüetas delgadas hacia arriba.

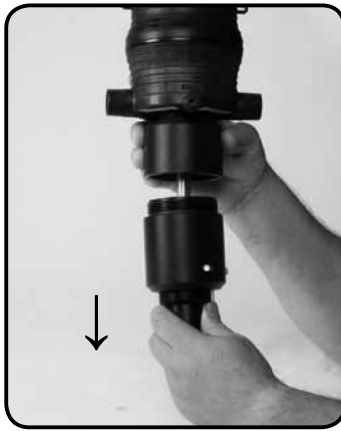


Paso 8.
Reemplace el eje N°52, JUNTA DE LA N° 16 y RETENEDOR N° 15.



Paso 9.
Enrosque el CILINDRO EXTERNO N°7 en el cuerpo de la unidad.

Instrucciones para Mantenimiento de Rutina 20%



Paso 1.
Desenrosque el CILINDRO EXTERIOR N°61 del cuerpo.



Paso 2.
Giro para desbloquear y extraiga el CAPSCREW N°93.



Paso 3.
Retire la GUÍA DEL PISTÓN DOSIFICADOR #73, limpie y compruebe el o-ring #14.



Paso 4.
Retire el PISTÓN DOSIFICADOR #44.



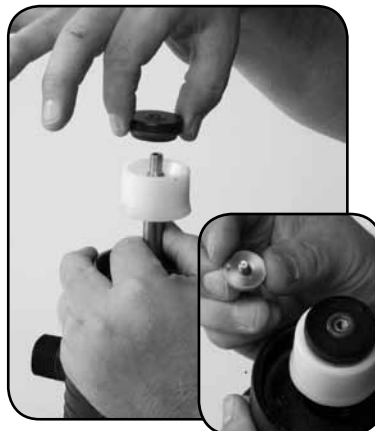
Paso 5.
Retire el ADAPTADOR #72, así como el o-ring #68, el RETÉN DE LA JUNTA #15 y el SEPARADOR DE LA JUNTA DEL EJE #83. Reemplace si está dañado o gastado.



Paso 6.
Retire y reemplace el o-ring #17. Reinstale el SEPARADOR DE LA JUNTA DEL EJE #83 y el RETÉN DE LA JUNTA #15.



Paso 7.
Coloque el o-ring n°68 y enrosque el ADAPTADOR n°72 en el cuerpo.



Paso 8.
Reemplace la GUÍA DEL PISTÓN DOSIFICADOR #73 y el PISTÓN DOSIFICADOR #44.



Paso 9.
Enrosque el CILINDRO EXTERIOR n° 61 en el cuerpo.

Localización y Solución de Problemas

Nueva instalación – siempre incremente la presión en el sistema lentamente (siga las “instrucciones para la puesta en marcha” en la pág. 59)

Problema	Causa	Solución
No Emite Sonido De “Clics”	El líquido NO fluye por la unidad	<p>¿Ha quitado los tapones rojos de las aberturas de la entrada, salida y succión?</p> <p>¿La unidad está instalada al revés? La flecha en el dosificador debe señalar la misma dirección que tiene el caudal.</p> <p>¿El dosificador nuevo ha sido almacenado por un periodo prolongado? De ser así, sumerja el dosificador en agua a temperatura ambiente por 24 horas para que las partes reabsorban el líquido y regresen a su tamaño original.</p> <p>Si el dosificador aún no hace ese sonido, no abra la parte superior del cuerpo. Comuníquese con el área técnica de Dosmatic.</p>
	El líquido fluye por la unidad	<p>¿El caudal es mayor o menor al especificado para el modelo? (Consulte las “características técnicas” para el caudal máximo en la pág. 56).</p> <p>Si el caudal es inferior al caudal indicado, increméntelo, Si el caudal es superior al caudal indicado, disminúyalo</p> <p>Si la presión supera la máxima admitida, instale un limitador de presión. (Consulte las “características técnicas” para la presión máxima en la pág. 56).</p> <p>El interruptor on/off está en posición off. Coloque el interruptor en ON.</p> <p>Válvula bypass no cerrada. Verifique y coloque la válvula en posición OFF.</p>

Dosificador en operación o luego del mantenimiento programado

Problema	Causa	Solución
No Emite Un Sonido De “Clics”	Conjunto pistón motor N°9 está desgastado	Reemplace el motor pistón N°9. Limpie el filtro aguas arriba.
	Cuerpo superior N°1 o cuerpo inferior N°40 gastado o dañado	Reemplace, Instale o limpie el filtro aguas arriba.
	El interruptor on/off está en posición off	Coloque el interruptor en ON.
	Válvula bypass no cerrado	Cierre la válvula.
	Filtro de entrada sucio u obstruido	Asegúrese que la medida de la malla es correcta para el proceso de filtrado. Limpie el filtro.
	O-ring N°17 desgastado o desmontado	Reemplace o monte correctamente el O-ring N°17.

Problema	Causa	Solución
Emite Un Sonido De “Clics”, Sin Succión De Solución	Manguera para succión N°25 (N°60 - 20%) o boquilla para manguera N°11 quebradas, suelta o presentan pérdidas o filtro para solución obstruido.	Verifique la conexión, reemplace y/o limpie, si fuese necesario.
	Pistón dosificador N°44 desgastado o instalado incorrectamente o cilindro interno #37 (#68 - 1% y #7 - 20%) gastado	Reemplácelo o asegúrese durante el mantenimiento de rutina de que el pistón dosificador N°44 esté instalado con el extremo ancho con borde fino hacia arriba.
	La junta de retención N°82 (N°15 - 10% y 20%) está instalado incorrectamente	Instale correctamente.
	El asiento del O-ring N°14 o pistón dosificador N°44 dañado o gastado	Reemplácelo. (0.4% - N°51)
	Válvula de retención a resorte N°13 presenta pérdidas: (N°60 - 20%)	Límpiala o reemplácela de ser necesario.

Problema	Causa	Solución
Emite Un Sonido. No Inyecta Lo Suficiente	Pistón dosificador gastado N°44	Reemplácelo. (0.4% - N°51)
	Cilindro interno N°37 (N°7 - 20%) desgastado	Reemplácelo.
	La unidad funciona a caudales altos y no a caudales bajos	Reemplácelo N°17 O-ring.
	Conjunto pistón motor N°9 está desgastado	Reemplace el motor pistón N°9. Limpie el filtro aguas arriba.
	Cuerpo superior N°1 o cuerpo inferior N°40 gastado o dañado	Reemplace, Instale o limpie el filtro aguas arriba.

Problema	Causa	Solución
Fluido desborda al tanque con la solución	Válvula de retención N°13 con pérdidas	Verifique el asiento de la junta en la boquilla de la manguera N°11 (No aplicable para PAA 0.4% y 20%). La válvula de retención y la junta deben encajar sin oposición en el interior de la boquilla. Limpie la junta y dentro de la boquilla.
	Sello en la pieza N°13 se deformó o sufrió ataque químico	Reemplace con una válvula de retención nueva.
	Kit de tubo # 60 (20%)	Reemplácelo.

Garantía



Felicitaciones Por Su Compra

Fabricamos los mejores y más confiables dosificadores hidráulicos disponibles. Nuestra garantía ofrece la mejor cobertura del sector. Dosmatic sustituirá todas las piezas en caso de probarse defecto en el material o la fabricación a partir de la fecha de compra según se detalla a continuación:

3 años	Cuerpo superior e inferior
2 años	Motor pistón
1 año	Cilindro dosificador

Los productos Dosmatic están garantizados contra posibles defectos de material o de mano de obra por los periodos mencionados anteriormente. Dosmatic, a su total discreción, reparará o reemplazará todo componente que falle en condiciones normales de uso. Toda reparación realizada bajo garantía no extenderá el periodo de garantía inicial.

Para conservar la cobertura

Su única responsabilidad es el mantenimiento normal de la unidad (filtración del agua entrante y reemplazo de o-rings y pistones dosificadores desgastados). Las juntas y o-rings no están cubiertos por la garantía.

La presente garantía no será válida si se encuentran defectos debido al uso indebido, falta de mantenimiento, impurezas en el líquido como son, arena y hierro, instalación incorrecta, congelamiento, golpe de ariete, abuso, efectos colaterales no deseados producidos por incompatibilidad química del producto que usted eligió dosificar o servicios brindados

por terceros no autorizados para dicha tarea. Dosmatic rechaza toda responsabilidad si el producto no es utilizado en cumplimiento con las instrucciones de operación y especificaciones indicadas por el presente manual de instrucciones.

La cobertura de la garantía podría anularse, si el cuerpo del dosificador es desmontado. Si Ud. cree tener algún problema en el pistón motor o en el interior del cuerpo, por favor, comuníquese con Dosmatic o centro de reparaciones autorizado para coordinar el envío del dosificador para su evaluación y/o reparación.

EN NINGÚN CASO, DOSMATIC SERÁ RESPONSABLE POR DAÑOS INCIDENTALES, ESPECIALES O INDIRECTOS O COLATERALES, INDEPENDIENTEMENTE QUE RESULTEN DEL USO, USO INDEBIDO O INCAPACIDAD DE USO DE ESTE PRODUCTO O DE LOS DEFECTOS DEL PRODUCTO.

No hay ninguna garantía expresa o implícita sobre los productos utilizados con los productos Dosmatic.

Dosmatic o el distribuidor autorizado no serán responsable por daños incidentales o indirectos tales como pérdidas económicas. Dosmatic se reserva el derecho exclusivo de reparar o reemplazar el producto. Dicho recuso será su único y exclusivo recurso ante el incumplimiento de la garantía. No hay otra garantía expresa o implícita, que amplíen la garantía más allá de los términos anteriormente mencionados.

Para enviar el dosificador para reparación bajo garantía o fuera de la cobertura:

Si desea información para comunicarse con Dosmatic, consulte la página 3.

1. Enjuague y drene por completo toda solución química del dosificador. Asegúrese de empacarlo apropiadamente para envío.
2. Para RÁPIDA evaluación y reparación bajo garantía o fuera de la cobertura, por favor incluya la siguiente información: una copia de la factura original, número de serie de la unidad, químico utilizado, datos de contacto, y número de Autorización de Devolución (RA), comuníquese con atención al cliente de Dosmatic para obtenerlo.
3. Envíe la unidad con flete pre-pago a Dosmatic o distribuidor local. Si desea comunicarse con su distribuidor local o con Dosmatic para efectuar la devolución, comuníquese con atención al cliente de Dosmatic.
4. Para un dosificador en GARANTÍA: Luego de pasar la inspección y si se determina que la unidad tiene defectos en el material o la fabricación, la unidad será reparada o reemplazada, a discreción de Dosmatic, sin costo, y será devuelta por flete prepago.
5. Para un dosificador FUERA DE LA COBERTURA: Luego de pasar la inspección Dosmatic o el distribuidor local se comunicará para pasar el estimado de la reparación.

Português

Índice

Princípio de Funcionamento	69
Embalagem	70
Características Técnicas	70
Precauções De Segurança	71
Comprimento de Garantia	71
Conselhos Gerais	71
Operação	72
Instalação e Pré-Operação	73
Diagrama De Instalação Recomendada	73
Manutenção	74
Injeção Remota	74
Instruções Para Manutenção De Rotina 0.4%	75
Instruções Para Manutenção De Rotina 1%	76
Instruções Para Manutenção De Rotina 2.5% & 5%	77
Instruções Para Manutenção De Rotina 10%	78
Instruções Para Manutenção De Rotina 20%	79
Análise e Resolução de Problemas	80
Garantia	81

Leia o manual cuidadosamente, por favor, antes da pre-operação do seu dosador Dosmatic. No manual encontrará a informação sobre o uso e cuidado do seu novo dosador Dosmatic. Se tiver alguma pergunta sobre o dosador, a garantia, manutenção de rotina ou uso apropriado, por favor, entre em contato com o distribuidor mais perto de você ou com atenção ao I cliente de Dosmatic.

Os modelos foram desenhados para dosar líquidos concentrados ou pós solúveis e aprovados para ser injetados em sistemas hidráulicos.

A responsabilidade do operador é a escolha da regulação da porcentagem da dosagem correta na unidade de acordo com as recomendações do fabricante para dispensar seu produto, e de assegurar que a dosagem apropriada seja mantida.

Manutenção e Garantia

Dosmatic oferece uma garantia limitada de três anos, contados a partir da data original da compra, que cobre só defeitos no material e a fabricação. O uso e cuidado apropriados do seu equipamento permitirá uma vida útil prolongada. Por favor, leia os termos completos da garantia na página 81.

Para Seu Arquivo

O N° de serie de seu dosador Dosmatic está localizado no corpo da unidade. Por favor, escreva o N° no espaço previsto e indique o número se entrar em contato com seu distribuidor ou com a Dosmatic para obter informação, peças de reposição e consertos.

N° de serie.....

Data de compra

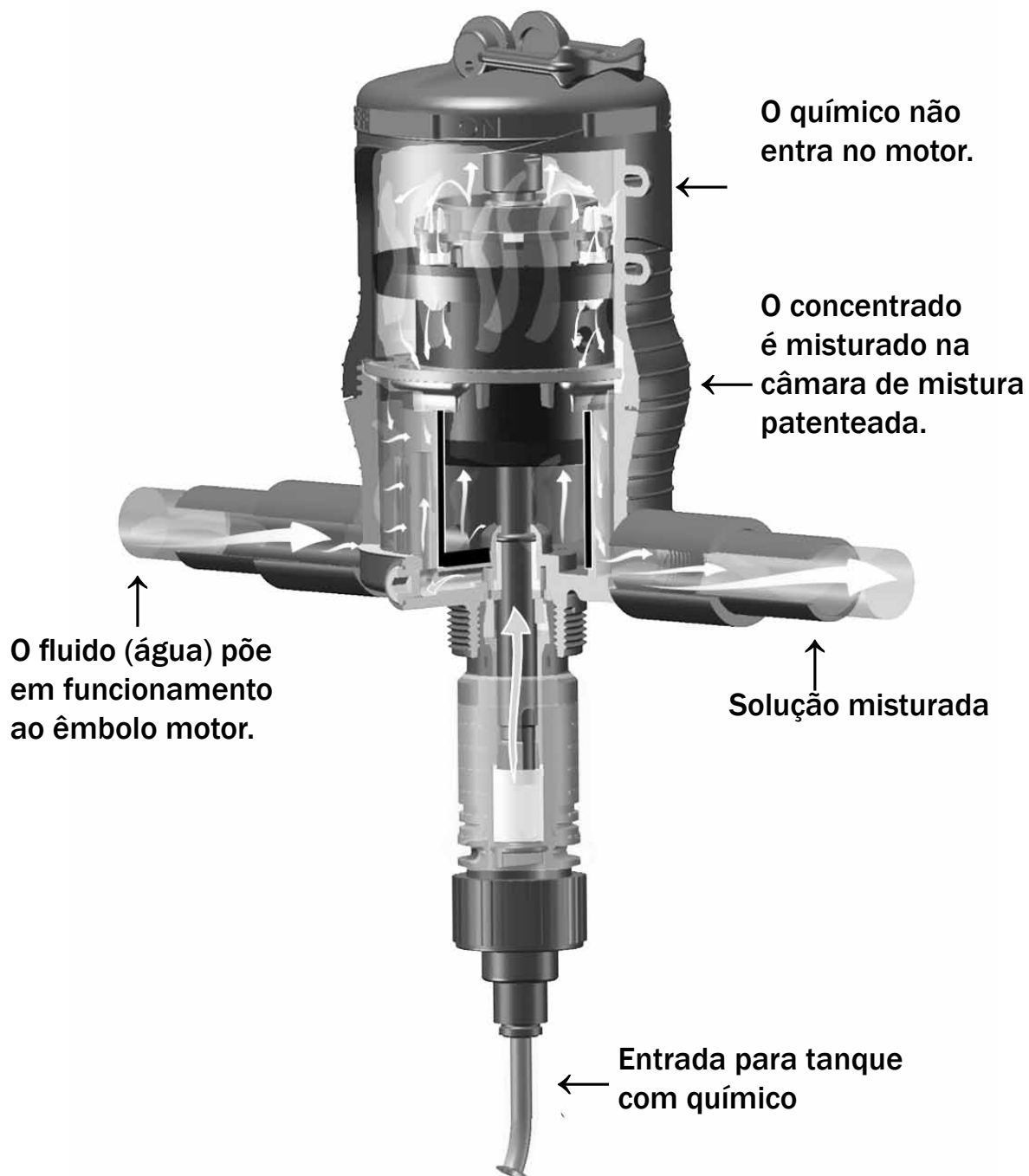
Importante:
Visite nosso site
www.dosmatic.com
para preencher nosso
formulário de cadastro
de produtos!

Esse documento não possui lastro contratual com a Dosmatic e é informativo unicamente. Dosmatic reserva-se o direito de alterar as especificações ou aparência dos produtos sem qualquer aviso prévio.

Princípio de Funcionamento

Acurado e confiável

Instalado diretamente numa rede de fornecimento de água, o dosador funciona sem eletricidade porque a pressão do fluido é sua força motriz. O fluido põe em funcionamento o dosador que aspira à porcentagem desejada do produto concentrado diretamente dum tanque com o químico. No interior do Dosmatic, o produto concentrado é homogeneizado com o fluido na câmara de mistura patenteada. Logo, a pressão do fluido conduz a solução para a saída do dosador. A quantidade de produto concentrado é proporcional ao volume de fluido a tratar no dosador, independentemente das variações de pressão e vazão.

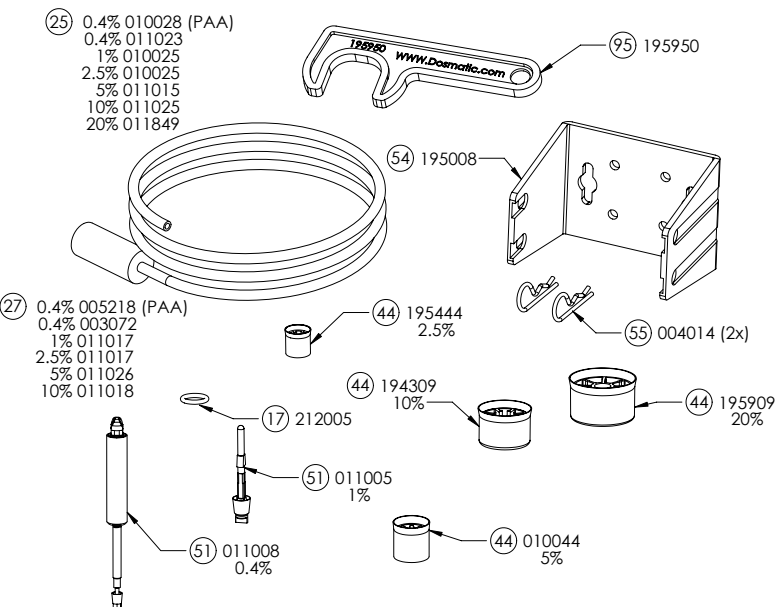


Embalagem

O dosador inclui com sua embalagem os seguintes itens:

Dosador Dosmatic (não ilustrado)
 Êmbolo dosador
 O-ring
 Manual Dosmatic (não ilustrado)
 Assembléia de eixo menor

Suporte de montagem
 Parafusos e porcas de montagem
 Filtro
 Mangueira de aspiração



Dosmatic USA
Certificação ISO 9001:2008
Sistema de gestão da qualidade

Modelo	NPT	BSP
0.4%	112608	112609
0.4% Pesados	112638	112639
0.4% PAA	112608K	112609K
1%	112600	112601
1& Pesados	112630	112631
2.5%	112602	112603
2.5% Pesados	112632	112633
5%	112604	112605
5% Pesados	112634	112635
10%	112606	112607
10% Pesados	112636	112637
20%	112620	112621
20% Pesados	112640	112641
20% injeção remota	112622	112623

Características Técnicas



MiniDos 7 gpm (65 psi máx)

Model 20% 4% - 20% (1:25 - 1:5)

Vazão operativa: 0.07 - 7 gpm (0,26 - 27 l/mn)

Pressão operativa: 6 - 65 psi (0,41 - 4,5 bar)

Conexão: 3/4" NPT/BSP

MiniDos 10 gpm (65 psi máx)

Model 10% 2% - 10% (1:50 - 1:10)

Vazão operativa: 0.07 - 10 gpm (0,26 - 38 l/mn)

Pressão operativa: 6 - 65 psi (0,41 - 4,5 bar)

Conexão: 3/4" NPT/BSP

MiniDos 12 gpm (140 psi máx)

Model 0.4% 0.025% - 0.4% (1:4000 - 1:250)

Model 1% 0.20% - 1% (1:500 - 1:100)

Model 2.5% 0.50% - 2.5% (1:200 - 1:40)

Model 5% 1% - 5% (1:100 - 1:20)

Vazão operativa: 0.03 - 12 gpm (0,25 - 46 l/mn)

Pressão operativa: 6 - 140 psi (0,41 - 9,7 bar)

Conexão: 3/4" NPT/BSP

Corpo	Material composto patenteado
Precisão de dosagem	+/- 10% da dosagem
Repetitividade	+/- 3% da proporção
Perda de pressão	Disponível sob encomenda
Temp. máx.	100°F/38°C
Temp. mín.	34°F / 1°C
Sucção máxima vertical do concentrado	13 pés / 3,6 metros
Sucção máxima horizontal do concentrado	49 pés / 15 metros
Auto-escorvante	Sim
Material de selos disponíveis: *Entre em contato com um representante Dosmatic se desejar informação sobre compatibilidade química.	Aflax Viton EPDM Kalrez Cobertura de Teflon
Viscosidade máx.	1.500 cP (Ex. mel)
Acessórios recomendados	Filtro de +140 mesh, válvula de retenção, regulador de pressão e restritor de vazão.

Precauções De Segurança Comprimento de Garantia



Advertência, Por favor, leia todas as precauções antes de operar a unidade. Deve respeitar a legislação local.

Tire as tampas vermelhas nas conexões antes de instalar o equipamento

Cada unidade é testada 100% na fábrica antes do envio e pode ter uma quantidade de água dentro. As três (3) tampas vermelhas são colocadas depois do teste para assegurar a limpeza do dosador.

Antes de utilizar químicos agressivos

Entre em contato com seu distribuidor, fabricante do químico ou com apoio ao cliente da Dosmatic se desejar informação sobre compatibilidade química do dosador. Sempre use a proteção de seguridade apropriada recomendada pelo fabricante do químico.

Marque as canalizações, válvulas e conexões

Se o químico dosado não é potável para consumo humano e marque a linha de água assim:

ATENÇÃO: água não potável para consumo humano!

Controle a vazão águas abaixo

O usuário é responsável de controlar o resultado do químico injetado.

Filtro recomendado e obrigatório

Instale um filtro de entrada de 140 mesh (104 micras) ou mais fino de acordo à qualidade do líquido para proteger o dosador e para a validade da sua garantia. O filtro é requerimento porque a maioria dos líquidos têm impurezas ou partículas especialmente se a fonte é um poço ou lago.

Evite um acidente químico potencialmente perigoso

O dosador deve estar num local seguro. Não deixe o produto ao alcance de crianças ou perto de locais onde passam muitas pessoas. Não exponha o sistema a temperaturas de congelamento.

Evite a contaminação da solução

Só utilize líquido FILTRADO. Evite que contaminantes ingressem ao tanque da solução porque serão injetados à canalização e podem disseminar doenças. Sujeira, resíduos, e outros contaminantes no tanque da solução podem desgastar excessivamente o dosador.

Temperatura do líquido

Mín: 34 °F (1 °C) Máx: 100 °F (38 °C)

Pressão máxima do líquido

Modelos 0.4%, 1%, 2.5%, 5% - 140 psi (9,7 bar)

Modelos 10% e 20%: pressão operativa máx. de 65 psi (4,5 bar).

Se utilizar o kit de injeção remota, a pressão e a vazão operativas serão reduzida.

Instale um regulador de pressão e/ou válvula de descompressão para assegurar que a pressão operativa não exceda a máxima.

Antes de quitar o dosador do sistema

Libere a canalização de líquido. Quando o sistema esteja em funcionamento, feche a válvula de entrada. Deixe a válvula águas abaixo aberta para liberar a pressão do dosador e todas as peças do sistema águas abaixo. Será seguro desinstalar o dosador.

Conselhos Gerais

Por favor, leia este manual completamente.

Siga suas instruções porque se prolongará assim a vida útil do seu dosador.

Para uma vida útil prolongada

Comece a operar com líquido ou fluido limpo com um filtro na canalização para reduzir a presença de impurezas. O tanque com a solução deve manter-se limpo e coberto. Assegure-se de que o filtro para a solução esteja colocado como mínimo a 5 cm (2") do fundo do tanque. Também, faça as tarefas de manutenção recomendadas (leia "Manutenção" na pág. 74).

Uso de pós solúveis

Se usar um produto químico solúvel em água, verifique que esteja dissolvido por completo antes de começar a usar o dosador. Pode dissolver o produto químico em água quente, se fosse necessário e se o produto químico não se arruinasse, mas permita que a água se esfrie antes de utilizá-lo. No caso de não dissolver totalmente o produto químico que é injetado, se provocará um desgaste prematuro do êmbolo dosador e do cilindro interno.

Evite expor seu Dosmatic a temperaturas extremas

Proteja o dosador de temperaturas de congelamento o calor excessivo.

Enxágüe o dosador após cada uso

O aditivo que fique num dosador pode-se ressecar e danar o conjunto dosador no seguinte uso. (Leia "Manutenção" na pág. 74).

Dosagem sem uso durante muito tempo

Se seu dosador não foi armazenado apropriadamente, é possível que depósitos tenham-se secado no motor. (Leia "Manutenção" na pág. 74). Antes de por o dosador em funcionamento, submerja a unidade em água filtrada a temperatura de aproximadamente 22°C (72°F) durante 8 horas.

Operação

Funcionamento Normal: Cliques no motor

A água para a linha de saída vai causar que o dosador emita um som “cliques” e injete a porcentagem desejada de químico na linha. Quanto maior a vazão, mais freqüentes serão os “cliques”, porque o dosador foi desenhado para injetar sempre proporcionalmente (a mesma porcentagem) seja qual for a vazão.

Vazão de operação

A vazão e pressão devem estar dentro das características técnicas estabelecidas. (Consulte as “Características técnicas” na pág. 70).

Regulação da dosagem

A porcentagem pode ser regulada **INCLUSIVE QUANDO O DOSADOR ESTÁ EM FUNCIONAMENTO E COM PRESSÃO**. Para regular a dosagem consulte a Fig 1 (a, b ou c) e Fig 2 (a, b ou c) de acordo com seu modelo. Não retire a peça N°79 se o dosador estiver em operação ou sob pressão.

MiniDos 0.4%, 1%, 2.5% e 5%, consulte Fig 1a e 2a
Gire a camisa reguladora de porcentagem (N°61 na Fig. 1a) para arriba ou embaixo com a Marca de Dosagem (Fig. 2a) para obter a dosagem desejada.

MiniDos 10%, consulte Fig. 1b e Fig. 2b

1. Retire a trava (N°65 no Fig. 1b).
2. Gire a camisa reguladora de porcentagem (N°61) para arriba ou embaixo para obter a dosagem desejada. Alinhe na escala a parte superior da camisa reguladora com a porcentagem desejada (Fig. 2b).
3. Insere a trava (N°65) novamente. A trava deve estar paralela à escala para poder inseri-la.

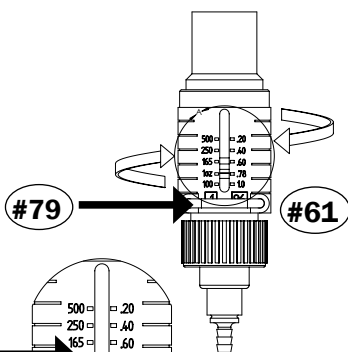
MiniDos 20%, consulte Fig.1c e Fig. 2c

1. Retire a trava (N°79 na Fig. 1c).
2. Gire o cilindro externo (N°7) para arriba ou embaixo para obter a dosagem desejada. Alinhe na escala a parte superior do cilindro externo com a porcentagem desejada (Fig. 2c).

NOTA: Não gire a camisa reguladora debaixo da menor marca de dosagem. Verifique que a dosagem desejada seja injetada na solução final.

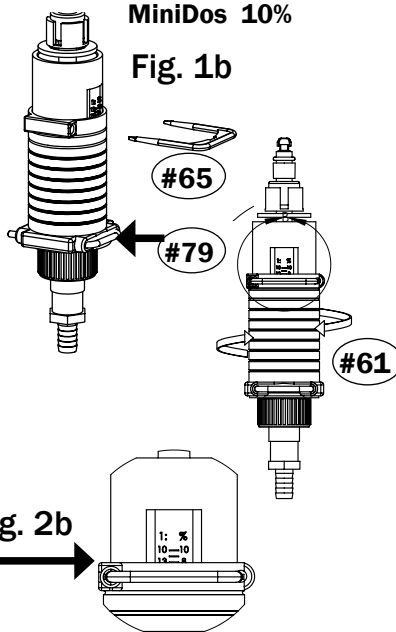
MiniDos 0.4%, 1%, 2.5% and 5%

Fig. 1a



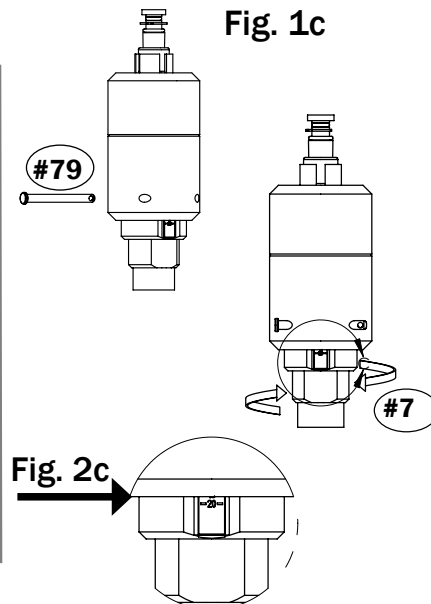
MiniDos 10%

Fig. 1b

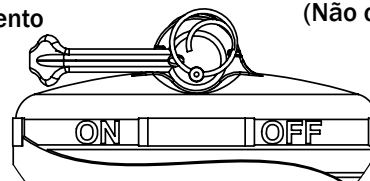


MiniDos 20%

Fig. 1c



Posição de funcionamento (Clica)



Posição de detida (Não clica)

Fig. 3

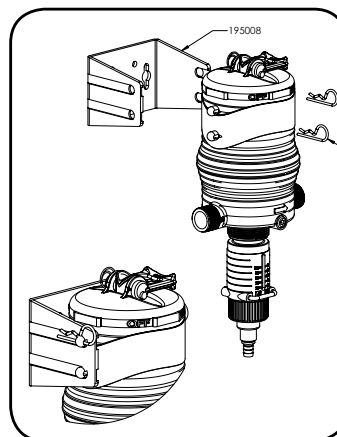


Fig. 4
Instalação
típica em parede

Instalação e Pré-Operação

Consulte as Fig. 4 e Fig. 5

Filtro para líquidos (Necessário)

Instale um filtro de entrada de 140 mesh (104 micras) o mais fino de acordo à qualidade do líquido para proteger o dosador e para a validade da sua garantia. Dosmatic recomenda um filtro Twist II Clean® que você pode comprar com seu dosador.

Montagem do dosador

Monte o dosador a uma estrutura sólida como uma parede numa canalização de fluido frio. As flechas não corpo do dosador indicam a direção do fluxo.

Válvula anti-retorno (recomendado)

Instale uma válvula de acordo e com os códigos locais.

Regulador de pressão (recomendado)

Ele evita que a pressão excede as especificações técnicas da unidade.

Disposição de três válvulas (recomendado)

Permite desligar a unidade para realizar a manutenção e armazenamento quando a unidade não estiver em funcionamento.

Dispositivo para golpe de aríete (recomendado)

Evita o dano por golpe de aríete, se estiver operando com válvulas solenóides, válvulas pneumáticas de fechamento rápido ou inclusive se estiver operando com válvulas de esfera manuais no sistema de água.

Válvula anti-sifonagem (opcional)

Para evitar que o químico concentrado (do tanque) seja expulso à fonte quando a válvula de águas arriba estiver fechada. A válvula anti-sifonagem deve instalar-se na canalização águas abaixo da unidade.

Prevenção adicional para efeito sifonagem

Coloque o tanque com a solução concentrada debaixo da peça de encaixe na mangueira de aspiração. Se utilizar a válvula de entrada como válvula de corte, pode causar que o produto concentrado seja expulso para a canalização águas arriba.

Tanque de solução

Pode utilizar qualquer tamanho de tanque, mas recomendamos um tanque com uma tampa. Para conectar o tanque com a solução instale o extremo da mangueira de aspiração na peça de encaixe. Coloque o filtro de aspiração pelo menos 5cm (2") do fundo do tanque. Cobre o filtro de aspiração como pelo menos 5cm (2") de produto químico.

Nunca utilize lubrificantes derivados do petróleo

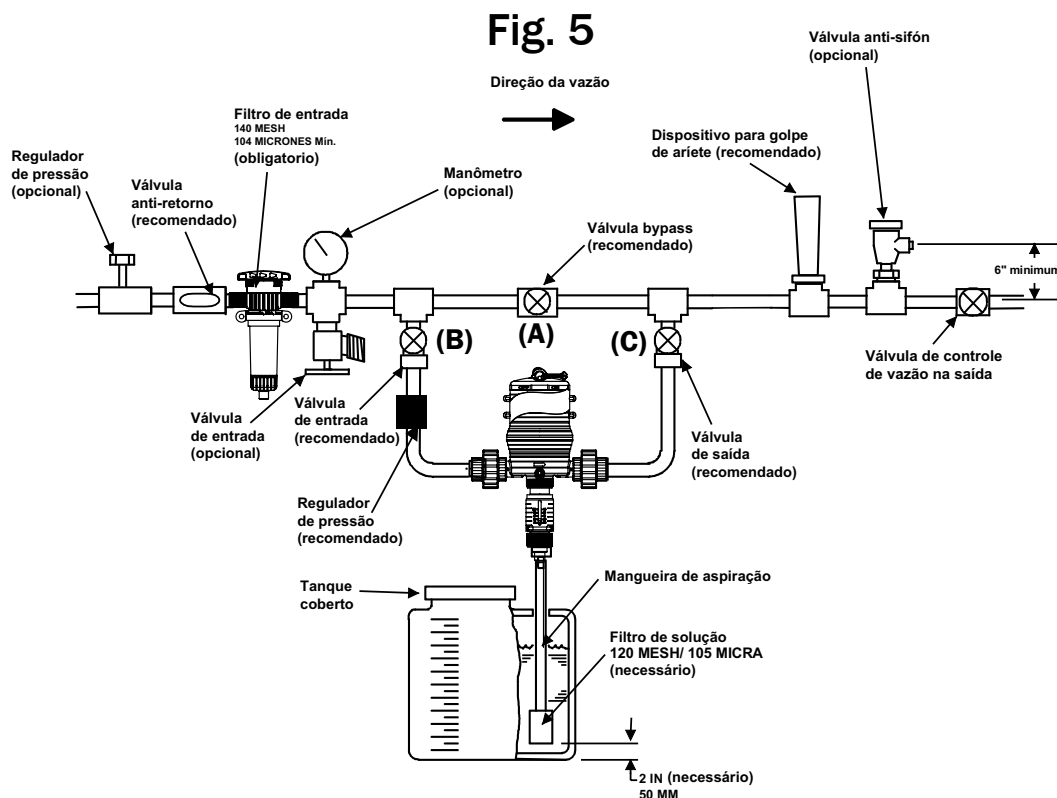
Receberá o dosador Dosmatic com uma capa fina de silicone nas juntas colocadas para facilitar o armado. Nunca utilize nos anéis o-rings ou em qualquer parte do dosador lubrificantes derivados do petróleo como vaselina, óleo de bebê, WD 40®, lubrificante de motor, etc. porque podem causar que as partículas se aderem e obstaculizem ou danem o dosador.

Verifique se o sistema tiver alguma goteira e pré-operação



Abra a válvula bypass (A), feche a válvula de entrada (B) e válvula de saída (C) para que a água não ingresse ao dosador. Abra PROGRESSIVAMENTE a linha de entrada principal. Deixe que a vazão flua a 11-45 lpm (5 -12 gpm) no sistema. Abra todas as válvulas na linha de saída do dosador para eliminar o ar existente em seu interior. Abra PROGRESSIVAMENTE a válvula da linha de entrada (B). Abra a válvula (C) na saída do dosador. Feche a válvula (A). Tanto a água passe pelo dosador, o dosador e vai emitir um som "clique" contínuo. Verifique se o sistema tiver alguma goteira e faça as correções.

Diagrama De Instalação Recomendada



Injeção Remota

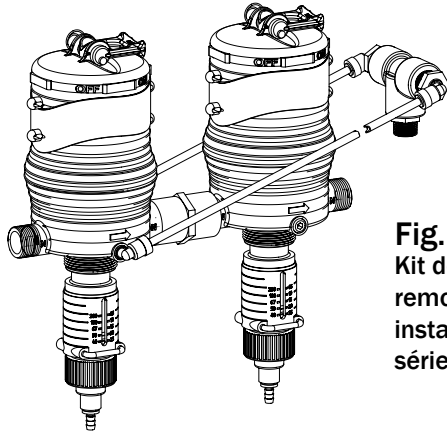


Fig. 6
Kit de injeção remota com instalação em série.

Kit de injeção remota (não incluído)

Is recommended for the following:

Equipamento
parte os Números
011762

Instalação em série:

Para utilizar vários químicos, podem-se instalar dois ou mais dosadores. Cada dosador injeta o químico no sistema de líquidos (ou água), e deriva a mistura e evita que a primeira solução química ingresse ao seguinte dosador. Evita-se o dano potencial (Fig. 6). Para evitar a acumulação de minerais no corpo da unidade. Utilize o kit quando injete químicos que causam precipitados minerais nos líquidos.

NOTA: quando misture mais dum químico, sempre consulte a guia informativa do fabricante do químico sobre a aplicação apropriada. Entre em contato com seu distribuidor local ou com apoio ao cliente da Dosmatic, se desejar mais informação ou fazer um pedido.

Manutenção

Consulte os números de referência nas páginas 83 - 90

ENXÁGÜE O DOSADOR APÓS CADA USO

O aditivo que fique num dosador pode ressecar, e danar o conjunto dosador no seguinte uso. Submija a mangueira de aspiração num litro (1 qt) de água limpa e filtrada e opere o dosador para que aspire a água até que o tanque fique vazio. Este procedimento não é preciso para um dosador em operação continua.

LIMPE O TANQUE DE PRODUTO QUÍMICO

Mantenha a recipiente do produto coberto para evitar que ingressem resíduos, insetos, plumas ou resíduos transportados pelo vento. Enxágüe bem o tanque o faça-o com freqüentemente. Não misture químicos que podem reagir e causar precipitação. Utilize líquido **FILTRADO** quando encha o tanque.

LIMPE O CRIVO DO FILTRO DA MANGUEIRA DE ASPIRAÇÃO

Controle-o cada vez que um novo produto é acrescentado. Limpe-o o filtro (Nº27) e a mangueira de aspiração (Nº25) tantas vezes que for necessário com água fresca.. Troque-os, se necessário. Assegure-se de que o filtro não esteja colocado no fundo do tanque do produto para prevenir que os resíduos e precipitados obstruam o filtro.

LIMPE O FILTRO DE ENTRADA

Limpe ou troque o filtro de entrada para assegurar uma vida útil do seu dosador e reduzir a perda de pressão.

DOSADOR EM BYPASS

Quando o dosador não estiver em operação, coloque-o em bypass com o sistema de disposição em 3 válvulas (recomendado). Utilize a chave on/off do dosador para derivar o líquido com a posição "off".

ARMAZENAMENTO

Para armazenamento por períodos longos, enxágüe o dosador com água limpa e ponha num recipiente de 5 galões como água, todos os meses, verta uma pequena quantidade, 29 ml (<0.1 oz.) de água sanitária para evitar as algas. **EVITE A EXPOSIÇÃO A TEMPERATURAS DE CONGELAMENTO**

Faça as tarefas de manutenção para uma vida útil prolongada do dosador.

Consulte as páginas 84 e 85
Modelo
MiniDos (0.4%)
(inclui 0.4% PAA)

Cada 3 - 6 Meses	Cada 6 - 12 meses	Substitua quando for necessário
1. Limpe o área dos selos (Nº13). 2. Revise o O-ring Nº17, revise, limpe e, se for preciso, substitua o Conjunto de eixo e e êmbolo dosador Nº51	1. Substitua o O-ring Nº17 e o Conjunto de eixo e e êmbolo dosador Nº51. 2. Limpe e/ou substitua a válvula de retenção Nº13, verifique a peça de encaixe na mangueira Nº11.	1. Cilindro Nº37 2. O-ring Nº17 3. Conjunto de eixo e e êmbolo dosador Nº51

Consulte as páginas 86
Modelo
MiniDos (1%)

Cada 3 - 6 Meses	Cada 6 - 12 meses	Substitua quando for necessário
1. Limpe o área dos selos (Nº 17, 14, 13). 2. Revise o O-ring Nº17, revise, limpe e, se for preciso, substitua o cilindro Nº68	1. Substitua o O-ring Nº17 e o êmbolo dosador Nº44. 2. Limpe e/ou substitua a válvula de retenção Nº13, verifique a peça de encaixe na mangueira Nº11	1. Cilindro Nº68 2. O-ring Nº14, 17 3. Conjunto de eixo e e êmbolo dosador Nº51 4. Êmbolo dosador Nº44

Consulte as páginas 87 e 88
Modelos
MiniDos (2.5%),
(5%)

Cada 3 - 6 Meses	Cada 6 - 12 meses	Substitua quando for necessário
1. Limpe o área dos selos (Nº 17, 14, 13). 2. Revise o O-ring Nº17, revise, limpe e, se for preciso, substitua o cilindro Nº37	1. Substitua o O-ring Nº17 e o êmbolo dosador Nº44. 2. Limpe e/ou substitua a válvula de retenção Nº13, verifique a peça de encaixe na mangueira Nº11	1. Cilindro Nº37 2. O-ring Nº14, 17 3. Conjunto de eixo e e êmbolo dosador Nº52 4. Êmbolo dosador Nº44

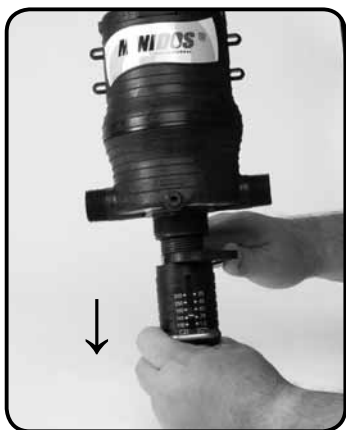
Consulte as páginas 89
Modelo
MiniDos (10%)

Cada 3 - 6 Meses	Cada 6 - 12 meses	Substitua quando for necessário
1. Limpe o área dos selos (Nº 17, 14, 13). 2. Revise o O-ring Nº17, revise, limpe e, se for preciso, substitua o cilindro Nº37	1. Substitua o O-ring Nº17 e o êmbolo dosador Nº44. 2. Limpe e/ou substitua a válvula de retenção Nº13, verifique a peça de encaixe na mangueira Nº11	1. Cilindro Nº37 2. O-ring Nº14, 17 3. Conjunto de eixo e e êmbolo dosador Nº52. 4. Êmbolo dosador Nº44.

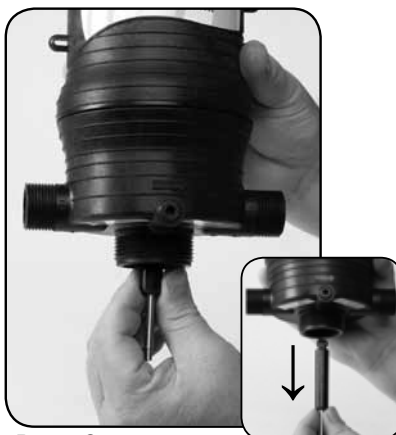
Consulte as páginas 90
Modelo
MiniDos (20%)

Cada 3 - 6 Meses	Cada 6 - 12 meses	Substitua quando for necessário
1. Limpe o área dos selos (Nº 17, 14). 2. Revise o O-ring Nº17, revise, limpe e, se for preciso, substitua o cilindro Nº7	1. Substitua o O-ring Nº17 e o êmbolo dosador Nº44. 2. Limpe e/ou substitua Nº 60.	1. Cilindro Nº7 2. O-ring Nº14, 17 3. Êmbolo dosador Nº44.

Instruções Para Manutenção De Rotina 0.4%



Passo 1.
Desparafuse o CILINDRO EXTERNO nº 7 no corpo.



Passo 2.
Remove o CONJUNTO DO EIXO nº 51.



Passo 3.
Remove a gaxeta nº 16.



Passo 4.
Remove o anel "O" nº 17.



Passo 5.
Troque o anel em O no. 17.



Passo 6.
Substitua o anel em O no. 17.



Passo 7.
Substitua o ESPAÇADOR DA VEDAÇÃO DO EIXO nº 82.

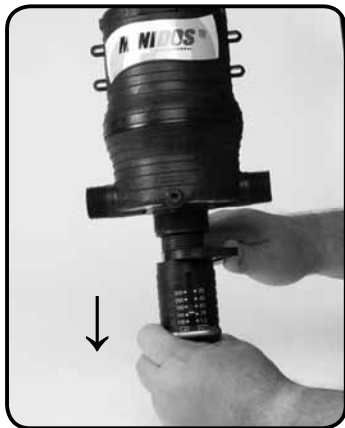


Passo 8.
Substitua o CONJUNTO DO EIXO nº 51.



Passo 9.
Aparafuse o CILINDRO EXTERNO nº 7 no corpo.

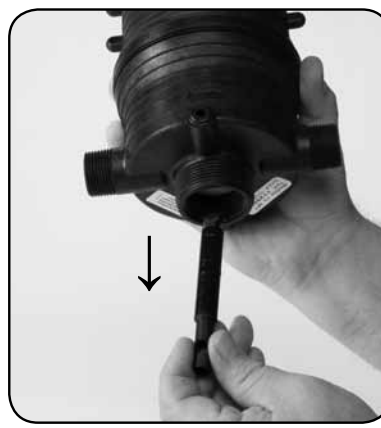
Instruções Para Manutenção De Rotina 1%



Passo 1.
Desenrosque o CILINDRO EXTERNO Nº7 do dosador.



Passo 2.
1/4 vire para desbloquear e remover # 51 menor eixo e substituir.



Passo 3.
Remova o EIXO SUPERIOR Nº52.



Passo 4.
Remova a GAXETA Nº 16 e o ESPAÇADOR DA VEDAÇÃO nº 82.



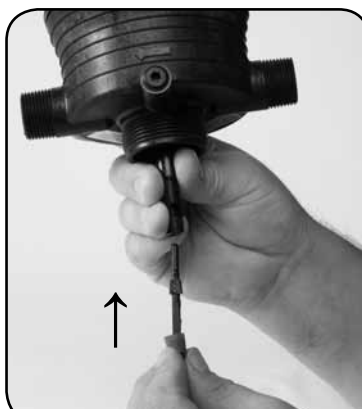
Passo 5.
Remova o O-ring Nº 17 o substitua. Substitua o O-ring Nº17.



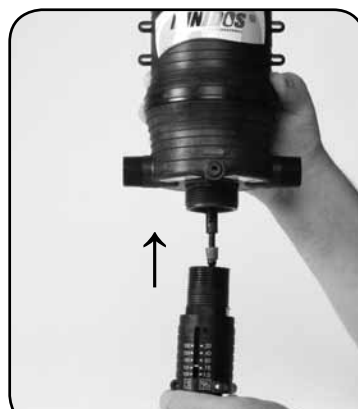
Passo 6.
Depois de substituir # 82 selo espaçador e # 18 GASKET, substituir # 52 eixo superior. Vire 1/4 de volta para bloquear no lugar.



Passo 7.
Insira o selar espaçador Nº82 e Junta Nº16.



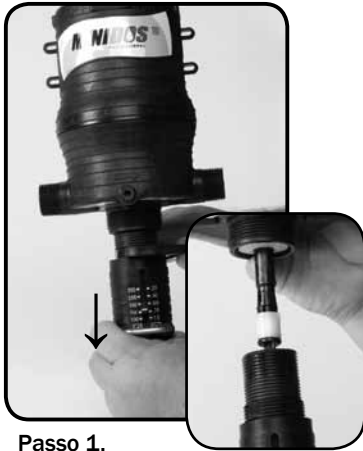
Passo 8.
Reinstale o eixo menor com novo pistão de dosagem e virar 1/4 de volta para bloquear..



Passo 9.
Enrosque o CILINDRO EXTERNO Nº7 no corpo da unidade.

Instruções Para Manutenção De Rotina

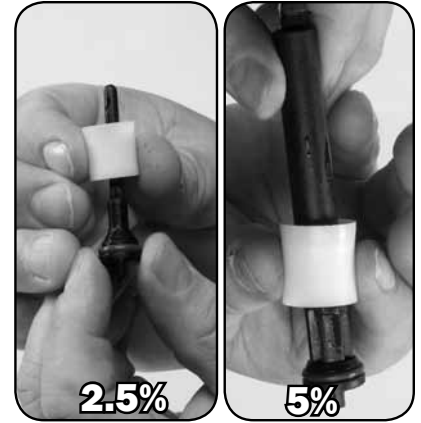
2.5% & 5%



Passo 1.
Desenrosque o CILINDRO EXTERNO N°7 do dosador.



Passo 2.
Gire o EIXO de 90° n° 51 ou n° 52 e remova.



Passo 3.
Recoloque o PISTÃO DOSADOR n° 44 com as bordas finas voltadas para cima. Limpe e inspecione o anel "O" n° 14 e substitua, se necessário.



Passo 4.
Remova e Limpe o área dos selos N° 16 e N° 82.



Passo 5.
Substitua o O-ring N°17.



Passo 6.
Insira o EIXO INFERIOR N°52 e O-ring N°17.



Passo 7.
Insira o Junta N°16 e selar espaçador N°82.

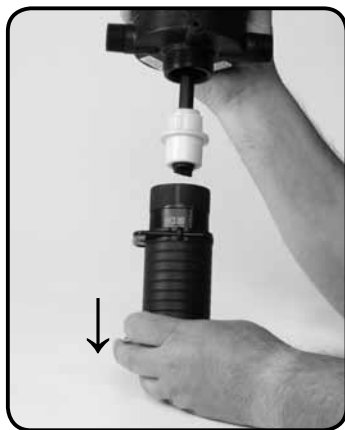


Passo 8.
Reinstale o eixo inferior com o novo pistão dosador girando 90° para travá-lo no lugar.



Passo 9.
Enrosque o CILINDRO EXTERNO N°7 no corpo da unidade.

Instruções Para Manutenção De Rotina 10%



Passo 1.
Desenrosque o CILINDRO EXTERNO N°7 do dosador.



Passo 2.
Torcer para desbloquear e EIXO N°52, JUNTA N° 16 e RESPONSÁVEL PELA RETENÇÃO N° 15.



Passo 3.
Remove o ESPAÇADOR DA VEDAÇÃO DO EIXO n° 83.



Passo 4.
Remove o anel O-ring n° 17 o substitua.



Passo 5.
Substitua o ESPAÇADOR DA VEDAÇÃO DO EIXO n° 83.



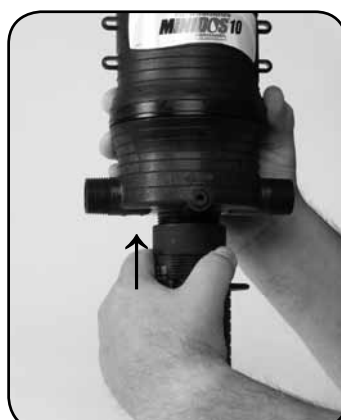
Passo 6.
Aperte as orelhas do eixo e remova o PISTÃO DOSADOR n° 44.



Passo 7.
Substitua o PISTÃO DOSADOR n° 44 com as bordas finas voltadas para cima (em direção à parte superior do eixo).

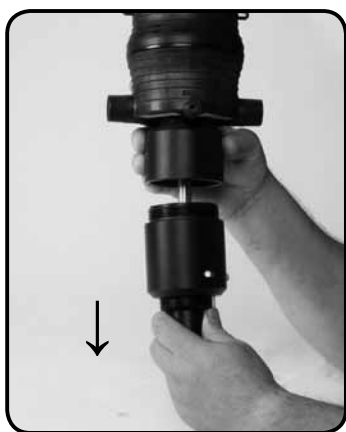


Passo 8.
Substitua o EIXO N°52, JUNTA N° 16 e RESPONSÁVEL PELA RETENÇÃO N° 15.



Passo 9.
Enrosque o CILINDRO EXTERNO N°7 no corpo da unidade.

Instruções Para Manutenção De Rotina 20%



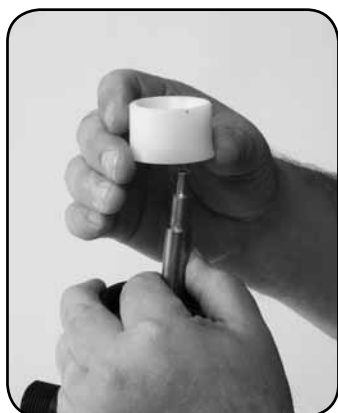
Passo 1.
Desenrosque o CILINDRO EXTERNO N°61 do dosador.



Passo 2.
Torcer para desbloquear e CAPSCREW N°93.



Passo 3.
Remove o GUIA DO PISTÃO DOSADOR n° 73, limpe e inspecione o anel "O" n° 14.



Passo 4.
Remove o PISTÃO DOSADOR n° 44.



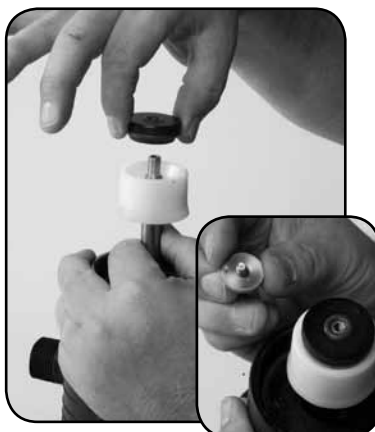
Passo 5.
Remove o ADAPTADOR n° 72 bem como o anel "O" n° 68, o RETENTOR DA VEDAÇÃO n° 15 e o ESPAÇADOR DA VEDAÇÃO DO EIXO n° 83. Substitua se danificado ou gasto.



Passo 6.
Remove e substitua o anel "O" n° 17. Reinstale o ESPAÇADOR DA VEDAÇÃO DO EIXO no 83 e o RETENTOR DA VEDAÇÃO no 15.



Passo 7.
Coloque n° 68 o-ring e parafuso n° 72 adaptador sobre o corpo.



Passo 8.
Substitua o GUIA DO PISTÃO DOSADOR n° 73 e o PISTÃO DOSADOR n° 44.



Passo 9.
Aparafuse o CILINDRO EXTERNO n° 61 no corpo.

Análise e Resolução de Problemas

Nova instalação – sempre incremente a pressão do sistema lentamente (Instruções para a pre-operação na pág. 73)

Problema	Causa	Solução
Motor não faz o som “clique”	O líquido NÃO FLUI na unidade	Tem tirado as cápsulas vermelhas nas conexões de entrada, saída e para mangueira? A unidade está instalada ao contrário? O fluxo de água deve ir à mesma direção que a flecha desenhada no corpo do dosador. O novo dosador tem sido armazenado por muito tempo? Se esse for seu caso, submerja o dosador em água por 24 horas para que as juntas reabsorvam o líquido e regressem a seu tamanho original. Se o dosador não fizer “cliques”, não abra a parte superior do corpo. Entre em contato com a Área Técnica da Dosmatic.
	O líquido FLUI na unidade	A vazão excede a vazão de funcionamento do dosador. (Consulte as “Características técnicas” para a vazão na página 70) Se a vazão é inferior à especificada, incremente-a. Se a vazão é superior à especificada, reduza-a A pressão de funcionamento excede a pressão de funcionamento máxima para o dosador. (Consulte as “Características técnicas” para a pressão na página 70). A chave on/off está em posição Off. Coloque a chave em ON. A válvula by-pass está fechada : Verifique e abra a válvula OFF

Dosador em operação ou depois da manutenção programada

Problema	Causa	Solução
Motor não faz o som “clique”	Conjunto de êmbolo principal desgastado N°9	Troque a peça N°9: Limpe o filtro de entrada.
	Corpo superior N°1 ou corpo inferior N°40 desgastado ou raiado	Troque, instale um filtro águas arriba ou limpe-o.
	Chave on/off em posição off	Coloque a chave em ON.
	Válvula bypass não fechada	Feche a válvula.
	Filtro da mangueira de aspiração obstruído	Verifique que a medida do crivo é correta para o processo de filtrado. Limpe o filtro.
	O-ring N°17 desgastado o desmontado	Troque o instale corretamente o O-ring N°17.

Problema	Causa	Solução
Motor faz o som “clique”, sem aspiração de solução	Mangueira de aspiração N°25 (N° 60 - 20%) ou a peça de encaixe da mangueira de aspiração N°11 quebradas, tem goteiras, frouxa ou tem filtro de solução obstruídos.	Verifique a conexão, troque-os ou limpe-os, se for necessário.
	O êmbolo dosador (44) e o cilindro interno #37 (#68 - 1% y #7 - 20%) desgastado o não foram instalados corretamente	Troque ou verifique que durante a manutenção de rotina o êmbolo dosador N°44 estiver com o extremo campaniforme para arriba.
	Anel retentor N°82 (N°15 - 10% y 20%) estiver instalado incorretamente	Instale corretamente.
	O alojamento do O-ring N°14 ou êmbolo dosador N°44 danado o desgastado	Troque-o. (0.4% - N° 51)
	Gotejamento na válvula N°13 de retenção: (N° 60 - 20%)	Limpe-a e troque-a, se for necessário.

Problema	Causa	Solução
Motor faz o som “clique”, subdosagem	Êmbolo dosador desgastado N°44	Troque-o.(0.4% - N° 51)
	Cilindro interno N°37 (N°7 - 20%) desgastado	Troque-o.
	A unidade opera com vazões altas mas não com vazões baixas	Troque o o-ring N°17
	Conjunto de êmbolo principal desgastado N°9	Troque a peça N°9: Limpe o filtro de entrada.
	Corpo superior N°1 ou corpo inferior N°40 desgastado ou raiado	Troque-o, instale um filtro águas arriba ou limpe-o.

Problema	Causa	Solução
ÁGUA SOBRECARRGA O TANQUE COM O PRODUTO	Gotejamento na válvula de retenção N°13	Verifique a área do alojamento da peça de encaixe da mangueira de aspiração N°11 (Não aplicable para PAA 0.4% ou 20%). A válvula de retenção e o-ring devem encaixar frouxos na peça de encaixe da mangueira. Limpe o O-ring e interior da peça.
	A arruela sobre a peça N°13 está inchada.	Troque-a com um conjunto de válvula de retenção
	Kit de Mangueira #60 (20%) aspiração	Troque-o.

Garantia



Parabéns Por Sua Compra

Fabricamos os melhores e mais confiáveis dosadores hidráulicos no mercado. Nossa garantia oferece a melhor cobertura da indústria. Dosmatic substituirá todas as peças que se comprovarem defeituosas respeito do material ou processo de fabricação desde a data de compra pelos seguintes períodos:

3 anos	Corpo superior e inferior
2 anos	Motor hidráulico
1 ano	Conjunto dosador (bomba química)

Os produtos Dosmatic estão garantidos contra defeitos de material e fabricação durante os períodos declarados acima. Dosmatic, por própria opção, consertará ou substituirá o qualquer componente que falhe em uso normal. Os consertos sob garantia não prolongaram o período da garantia inicial.

Para Conservar La Garantia

Sua única responsabilidade é a manutenção comum da unidade (filtração da água de entrada e substituição dos anéis o-rings e êmbolos dosadores desgastados. Os selos e o-rings não estão cobertos pela garantia).

A garantia não será válida se os defeitos constatados são provenientes dum uso inadequado dos produtos, falta de manutenção, impureza da água, como areia e ferro, entre outros, uma instalação anormal do aparelho, congelamento, golpe de aríete, abuso, efeitos colaterais não desejados

produzidos pelos produtos químicos que escolheu dosar ou assistência técnica por pessoas não autorizadas. Dosmatic não é responsável se o produto é utilizado em descumprimento das instruções e características técnicas do presente manual de instruções.

A garantia será anulada, se o corpo do aparelho é desmontado. Se achar que tem um problema com o conjunto do êmbolo motor ou dentro do corpo, por favor, entre em contato com a Dosmatic ou um centro de conserto autorizado para coordenar o envio do seu dosador para inspeção e/ou conserto.

Não existe nenhuma garantia expressa ou implícita respeito aos produtos utilizados com os produtos Dosmatic.

SOB HIPÓTESE ALGUMA, A DOSMATIC SE RESPONSABILIZARÁ POR DANOS E/OU PREJUÍZOS INCIDENTAIS, ESPECIAIS, INDIRETOS OU CONSEQÜENCIAIS DECORRENTES DO USO, USO INDEVIDO OU DA INCAPACIDADE DE UTILIZAR O PRODUTO OU DECORRENTES DOS DEFEITOS DO PRODUTO.

Dosmatic e seus distribuidores autorizados não se responsabilizarão pelos danos e/ou prejuízos conseqüenciais ou indiretos como perdas financeira. Dosmatic se reserva o direito exclusivo para consertar ou substituir o produto. As soluções constantes neste termo de garantia são as únicas e exclusivas oferecidas para descumprimento da garantia. Não existe nenhuma outra garantia, expressa ou implícita, exceto conforme expressamente declarado acima.

Para retornar a unidade para conserto em garantia o sem garantia:

Consulte pág. 3 para entrar em contato com Dosmatic.

1. Enxugue completamente toda a solução química e esvazie-a . Empaque a unidade apropriadamente para ou envió.
2. Para uma avaliação e conserto RÁPIDOS com ou sem garantia, por favor, envie copias de: fatura original, número de série da unidade, informação do químico utilizado, dados de contato, e o número de Autorização de Devolução, entre em contato com apoio ao cliente de Dosmatic para obtê-lo.
3. Envie com frete pre-pago a Dosmatic ou seu distribuidor local. Para entrar em contato com seu distribuidor local, ou para enviar a Dosmatic, entre em contato com o apoio ao cliente de Dosmatic de do país.
4. Para o dosador COM GARANTIA: depois da inspeção e a confirmação de que a unidade tem defeitos no material ou fabricação, a unidade será consertada ou substituída a opção da Dosmatic, sem custo e enviado com frete pré-pago.
5. Para o dosador SEM GARANTIA: Dosmatic ou seu distribuidor local entrara em contato para informar o valor estimado do conserto depois da inspeção.

Dosmatic[®]

a Hydro Systems Brand

KITS ET LISTE DES PIÈCES DÉTACHÉES

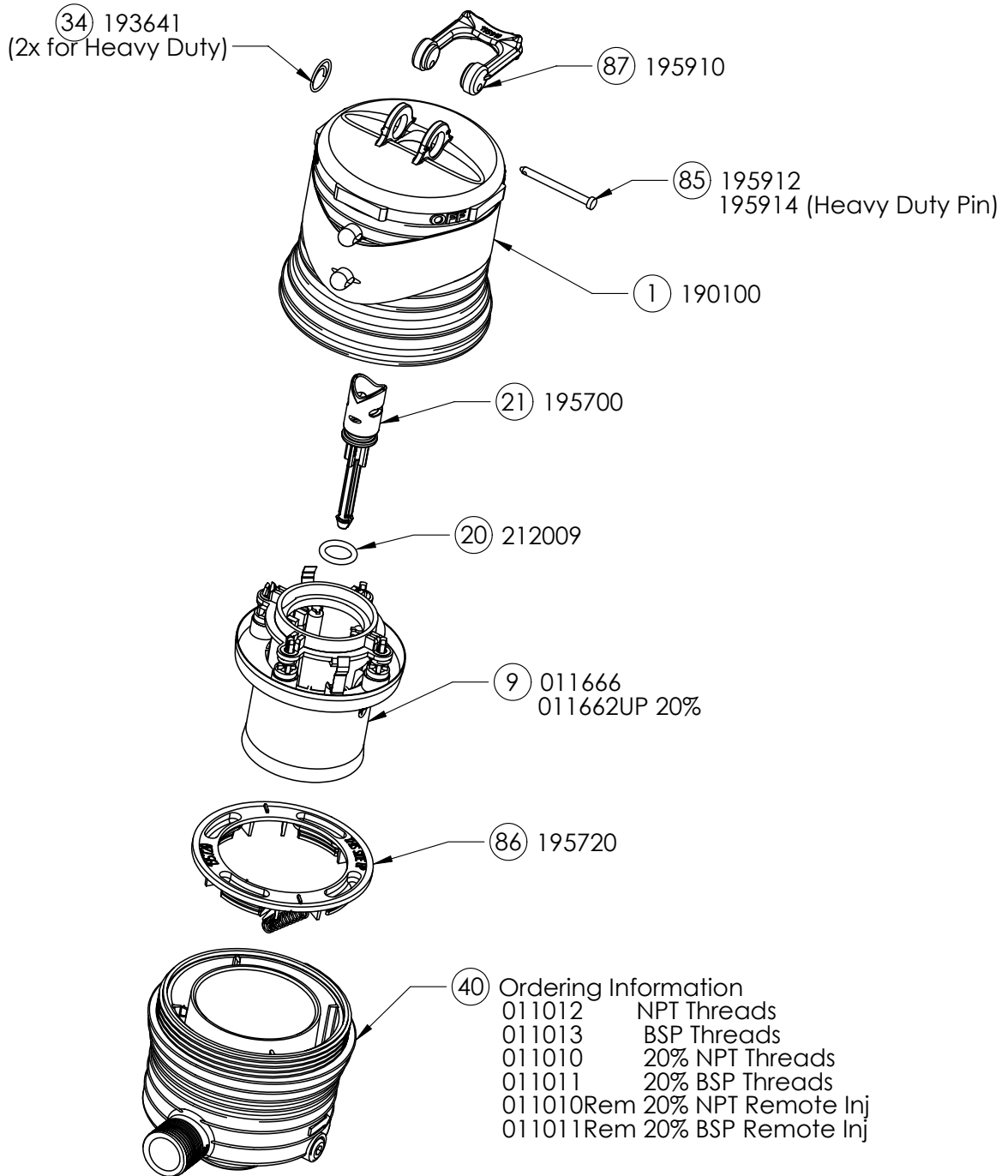
UNTERES ENDE INJEKTOR UND VERSCHLIESSTEILSATZ

LISTA DE KITS Y COMPONENTES DE REPUESTO

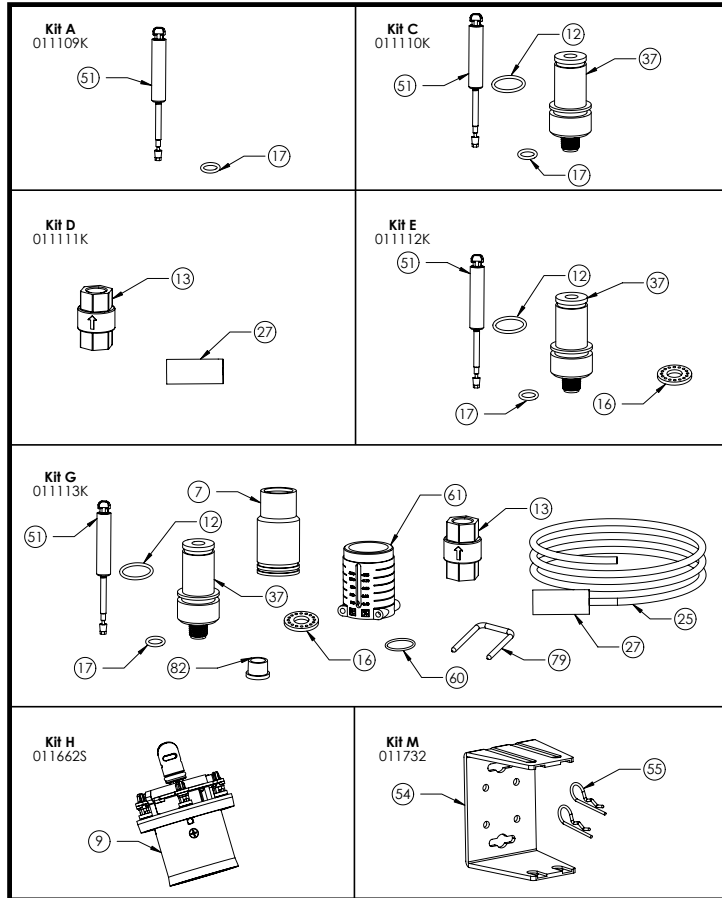
PEÇAS DE DESGASTE E DO CONJUNTO DOSADOR

0.4% PAA:	84
0.4%:	85
1%:	86
2.5%:	87
5%:	88
10%:	89
20%:	90
Accessories	91
Accessoires	91
Zubehör	91
Accesorios	91
Acessórios	91

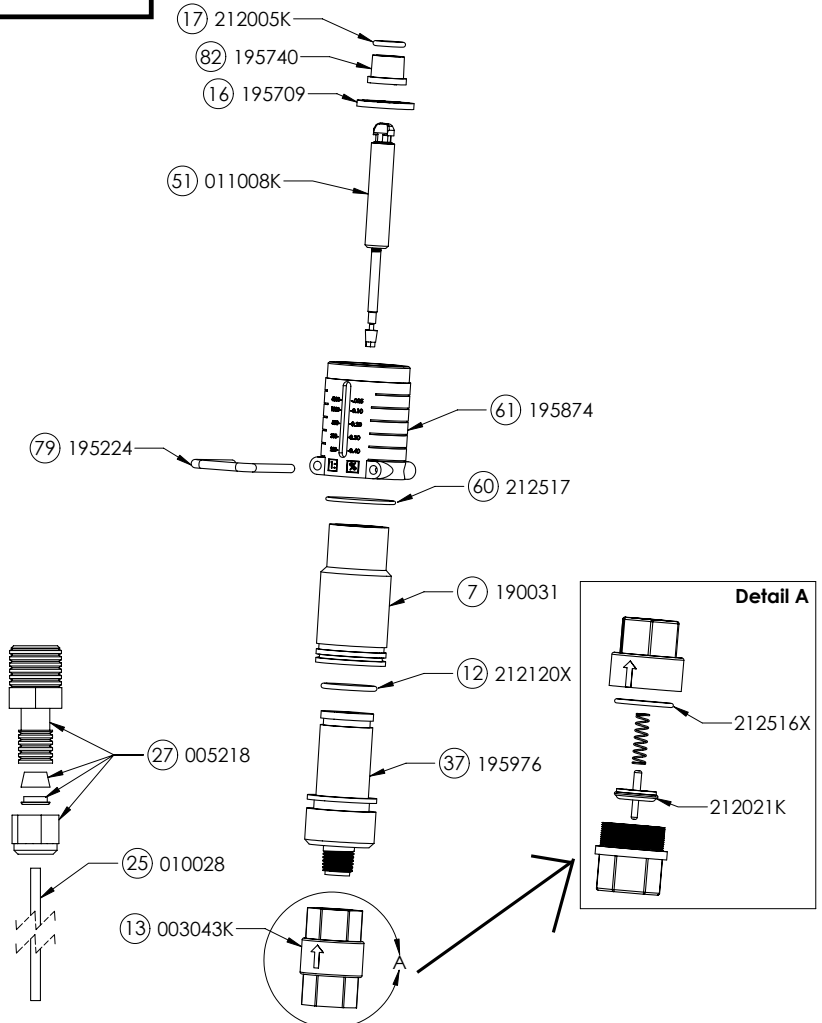
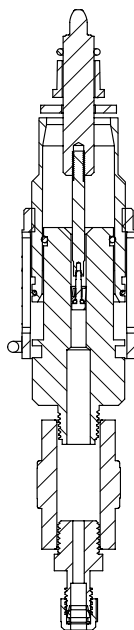
SCHEMA
INJEKTORREPARATURTEILE
DIAGRAMA
PEÇAS DE REPOSIÇÃO DO DOSADOR



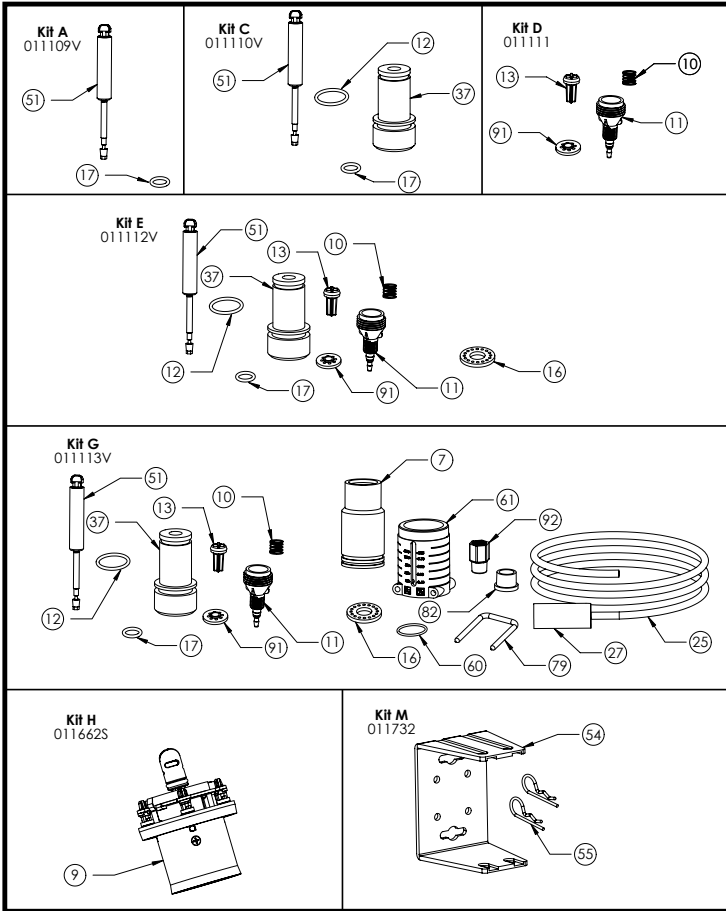
0.4% PAA:



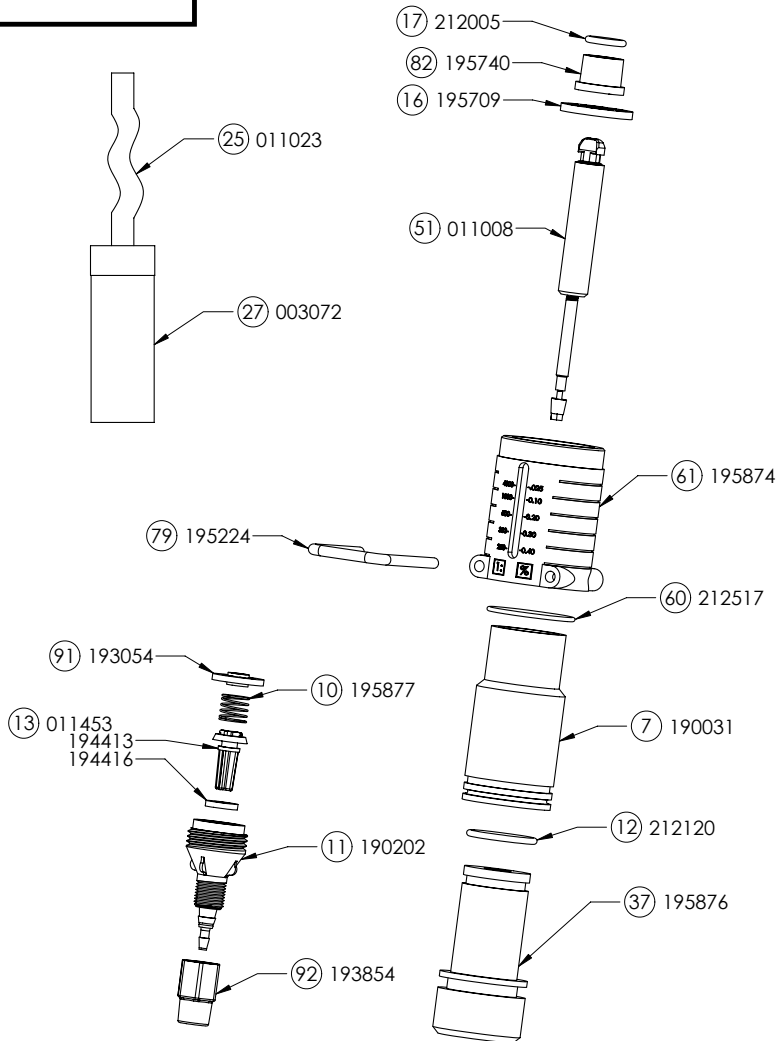
Lower End Assembly
Ensemble partie basse
Unteres Ende Bausatz
Conjunto Dosificador
Conjunto Dosador



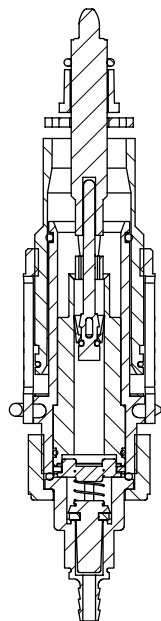
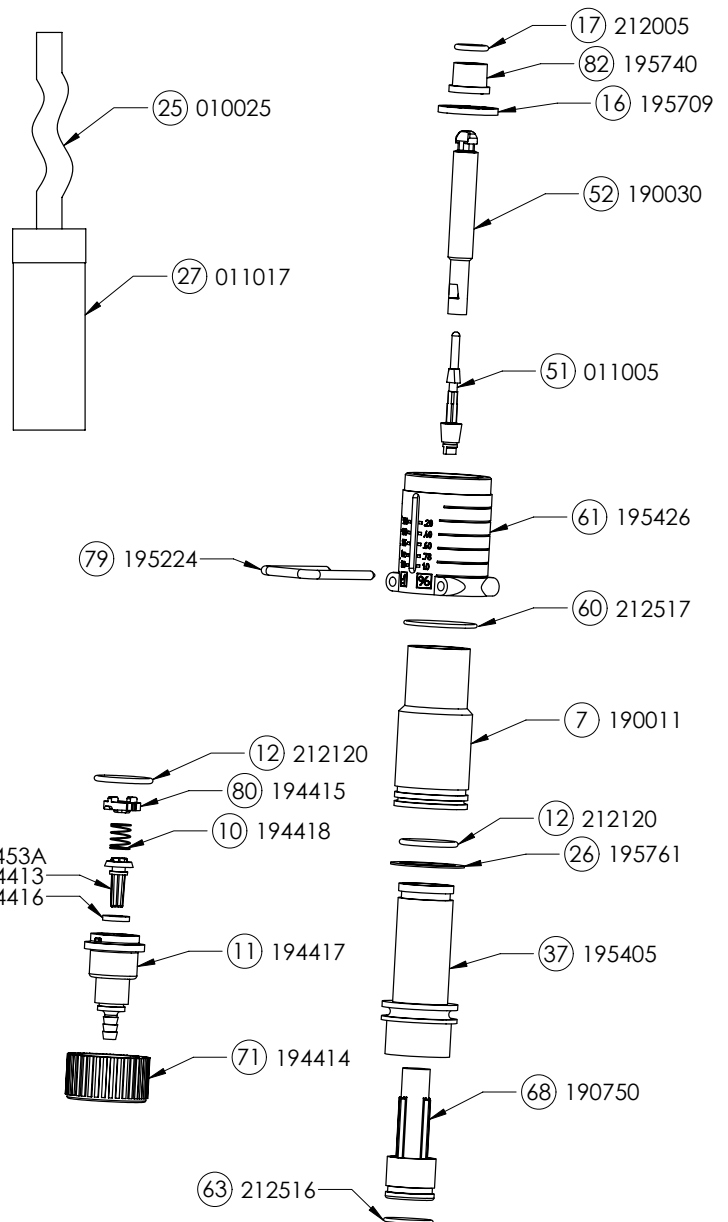
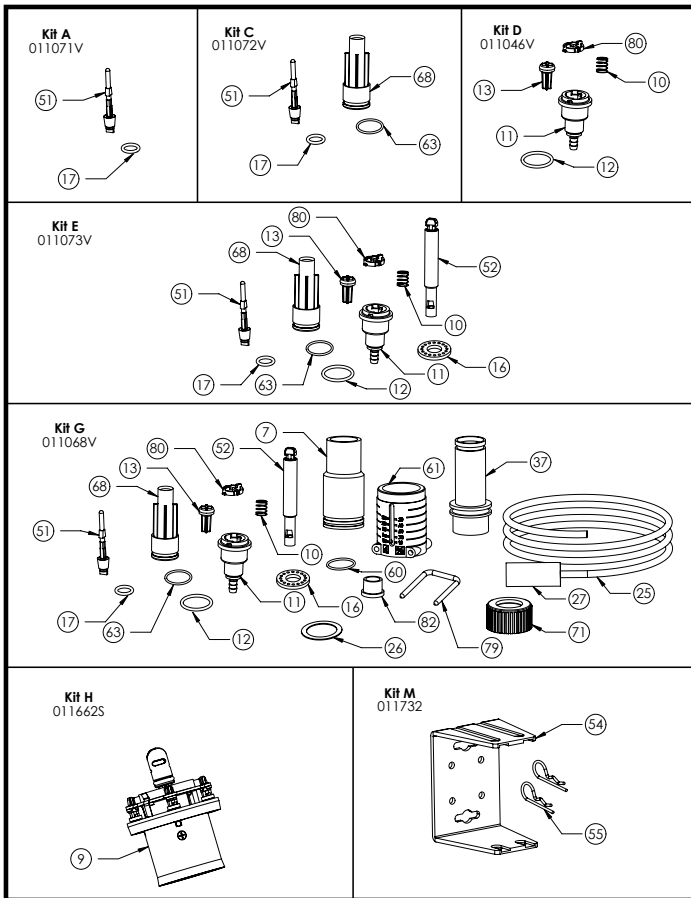
0.4%:



Lower End Assembly
 Ensemble partie basse
 Unteres Ende Bausatz
 Conjunto Dosificador
 Conjunto Dosador

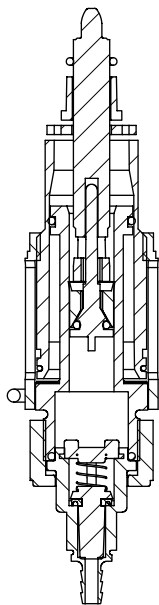
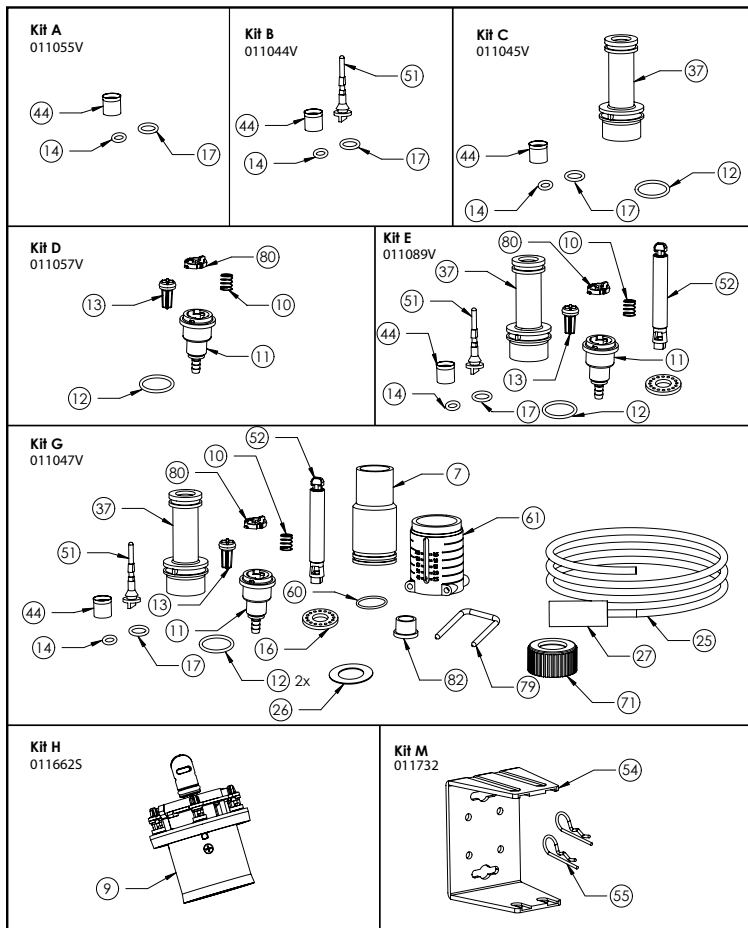


1%:

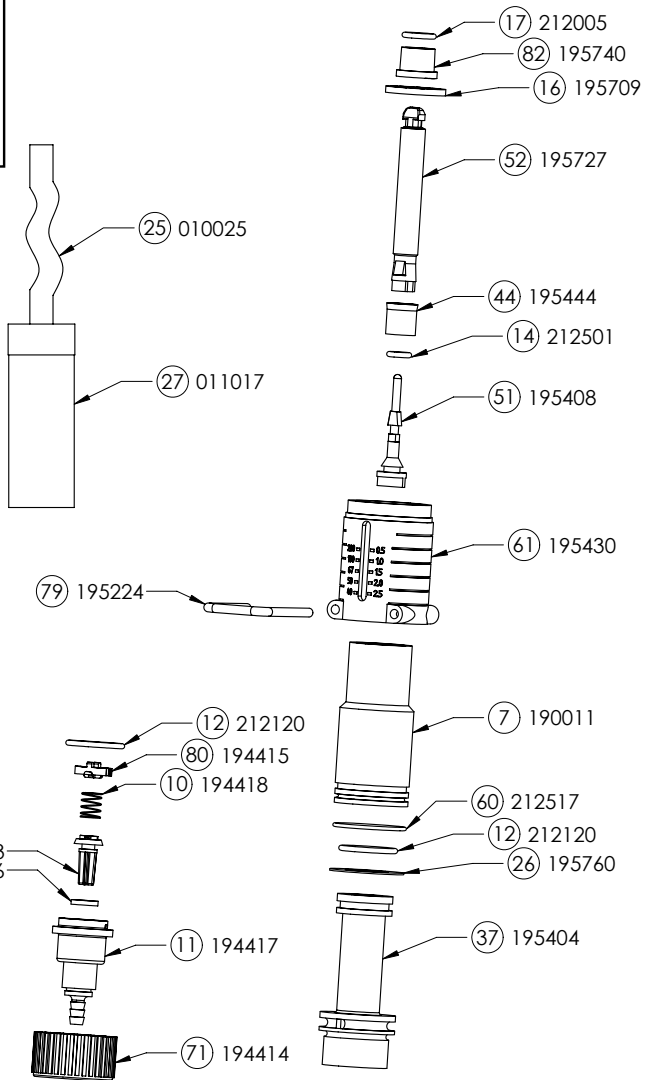


Lower End Assembly
 Ensemble partie basse
 Unteres Ende Bausatz
 Conjunto Dosificador
 Conjunto Dosador

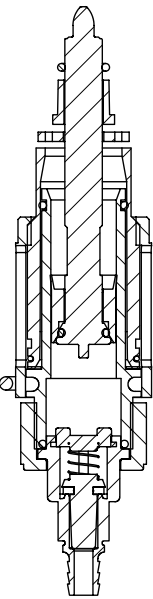
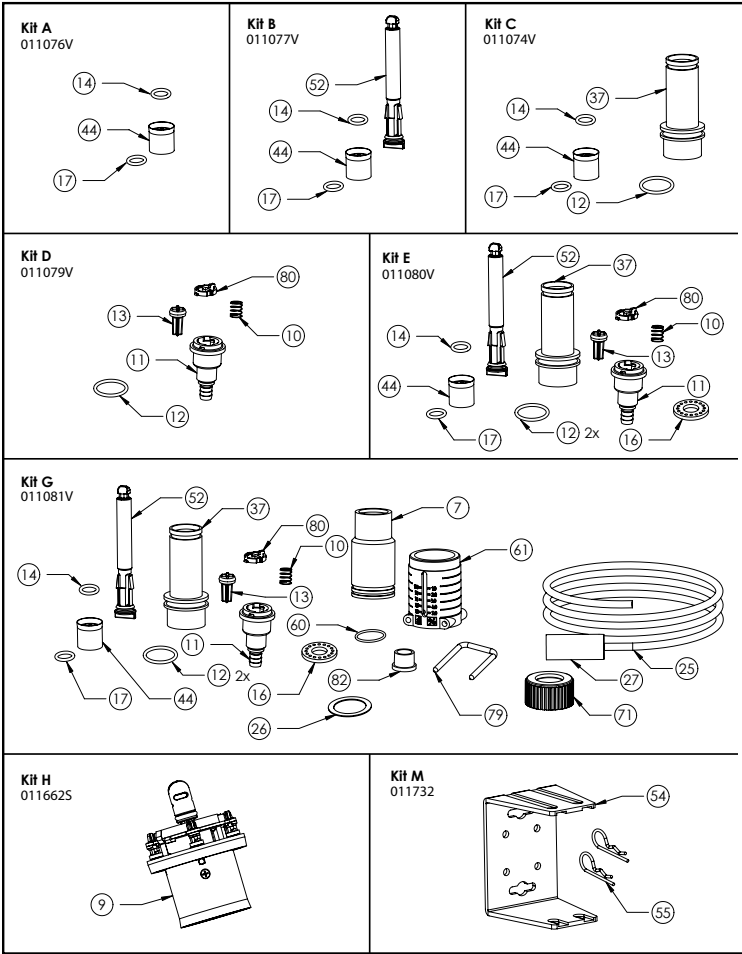
2.5%:



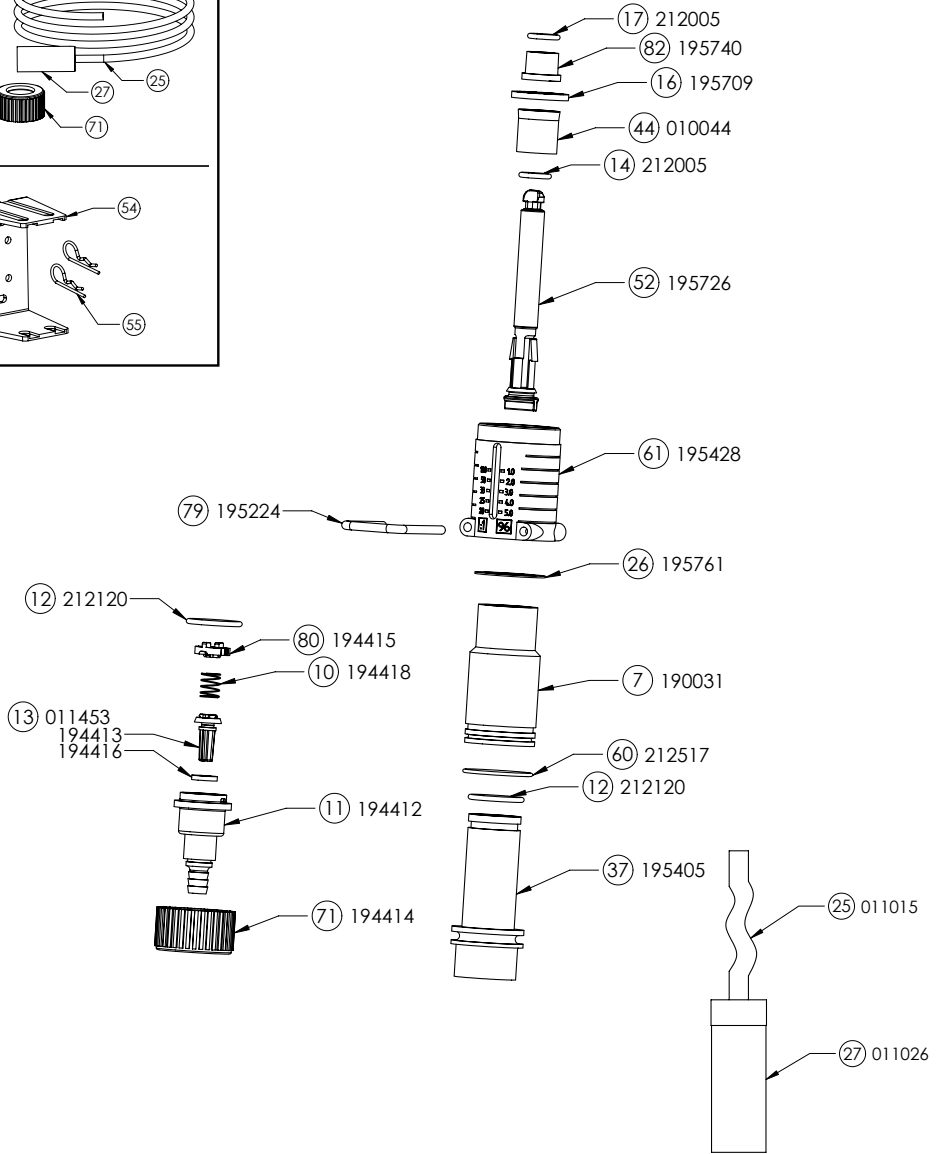
Lower End Assembly
Ensemble partie basse
Unteres Ende Bausatz
Conjunto Dosificador
Conjunto Dosador



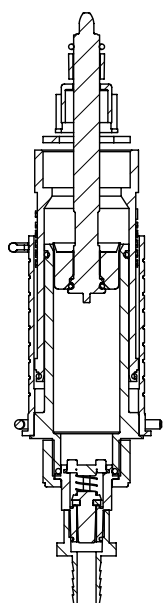
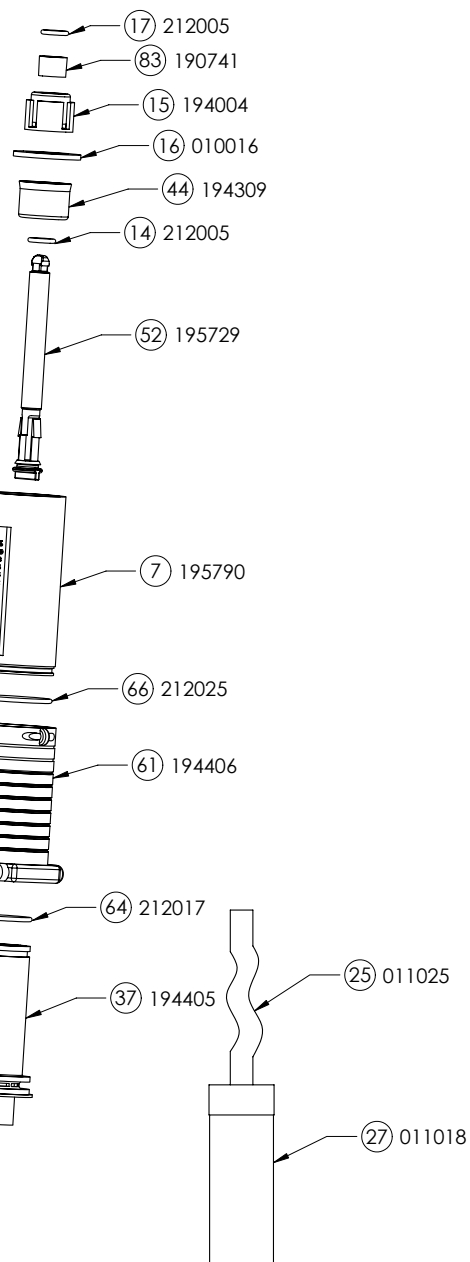
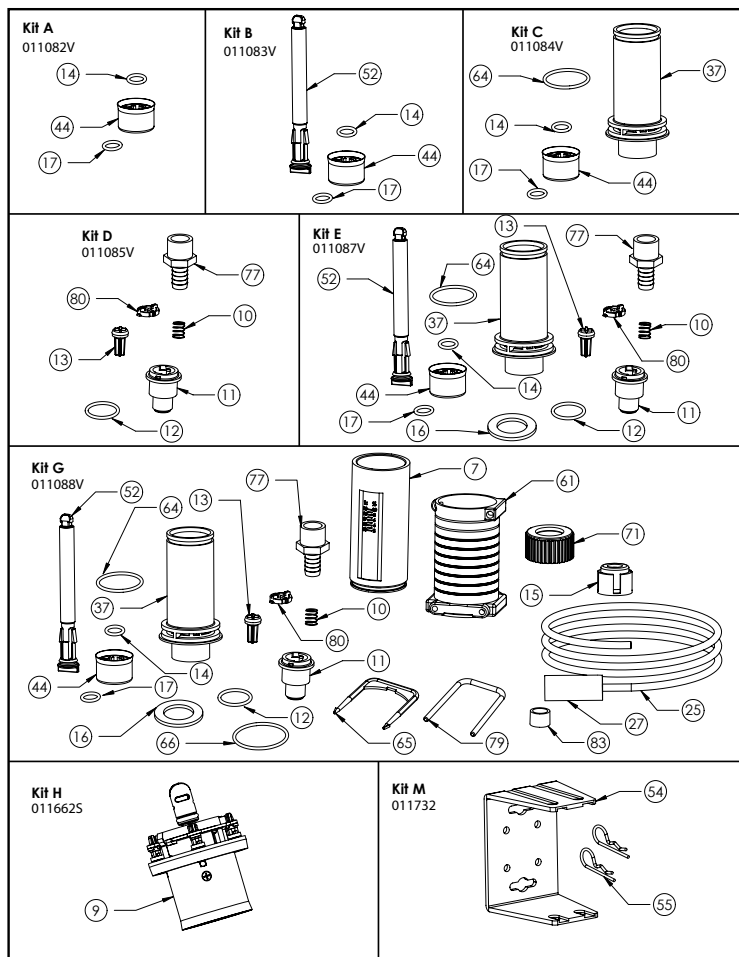
5%:



Lower End Assembly
Ensemble partie basse
Unteres Ende Bausatz
Conjunto Dosificador
Conjunto Dosador

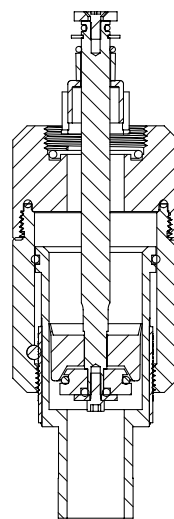
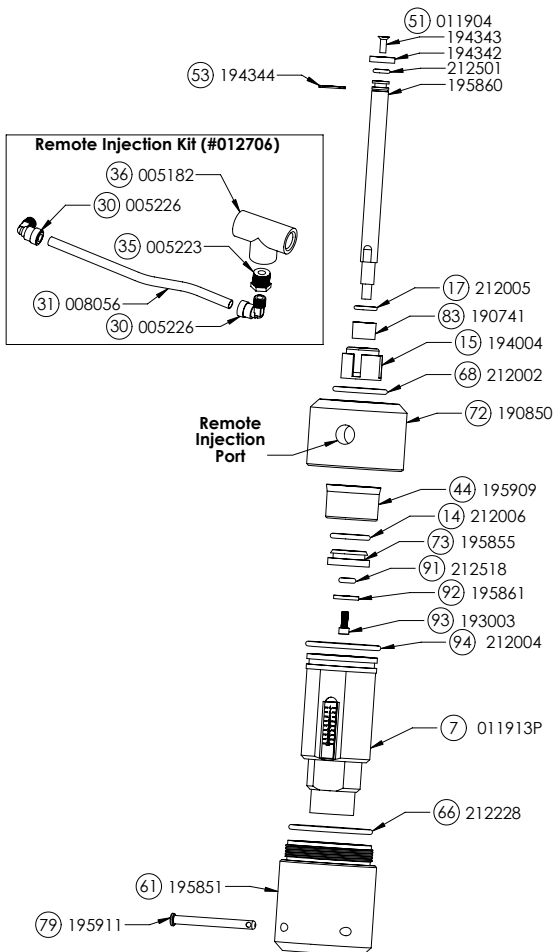
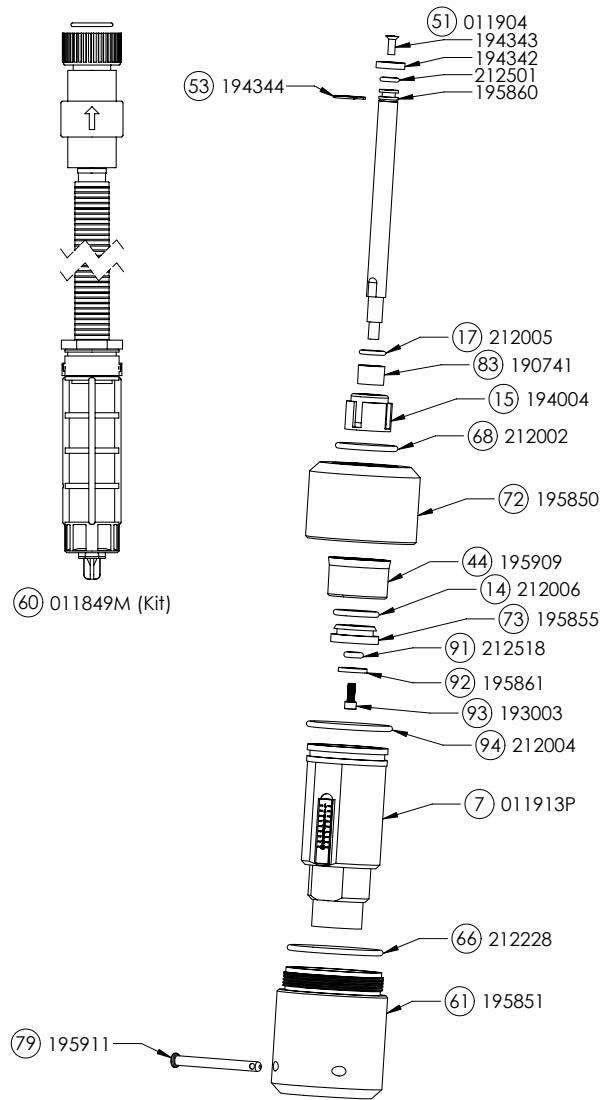
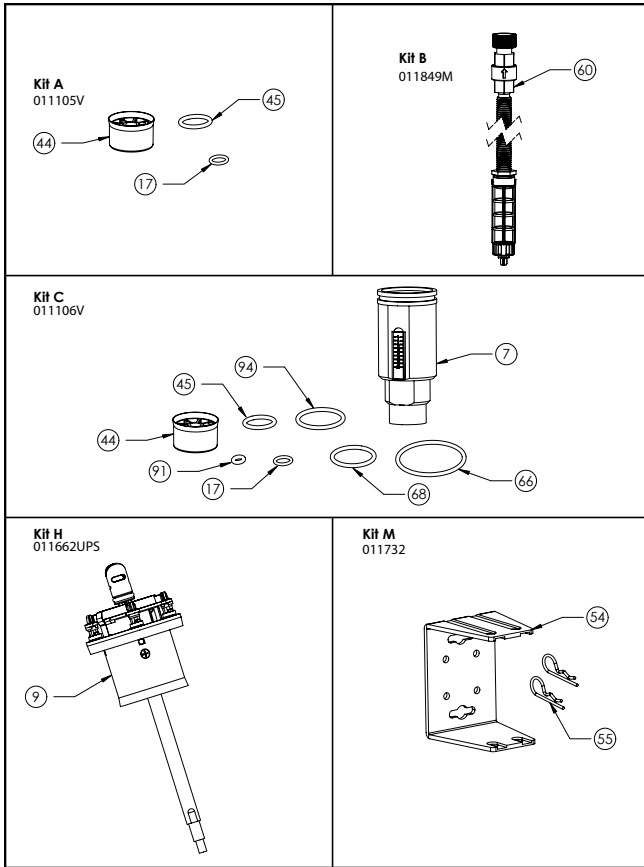


10%:



Lower End Assembly
Ensemble partie basse
Unteres Ende Bausatz
Conjunto Dosificador
Conjunto Dosador

20%:



Lower End Assembly
Ensemble partie basse
Unteres Ende Bausatz
Conjunto Dosificador
Conjunto Dosador

Accessories Accessoires Zubehör Accesorios Acessórios



Twist II Clean Inline Filter®
Filtres en ligne Twist II Clean®
Die Twist II Clean®
Filtros Twist II Clean®
Filtros Twist II Clean®



Available In:
Disponible en:
Erhaeltlich in:
Disponível En:
Disponível Dentico:
3/4" - 15 gpm (57 l/mn) 100 psi (7 bar)
1" - 30 gpm (114 l/mn) 100 psi (7 bar)
2" - 100 gpm (379 l/mn) 100 psi (7 bar)
* Various mesh sizes available.
* Plusieurs tailles disponibles.
* Verschiedene Netzgroessen sind erhaeltlich.
* Variedad de medidas mesh disponibles.
* Disponível em vários mesh.



Mobile Cart
Chariot Mobile
Mobiler Wagen
Carro Móvil
Móveis



Our Mission

We will design, produce and supply the highest quality products. Offer the highest levels of knowledge and service. We will develop innovative products and solutions for our worldwide partners and customers.

Misión

Diseñaremos, fabricaremos y brindaremos productos de la más alta calidad. Ofrecemos un alto nivel de conocimiento y servicio. Continuaremos desarrollando productos innovadores y soluciones para nuestros clientes y socios en todo el mundo.

Our Mission

Wir werden Produkte höchster Qualität entwerfen, produzieren und anbieten. Und das höchste Niveau an Fachwissen und Service bieten. Wir werden neue innovative Produkte entwickeln und Lösungen für unsere weltweiten Partner und Kunden liefern.

Our Mission

Nous souhaitons développer, fabriquer et fournir des produits de la plus haute qualité. Nous voulons offrir le plus haut niveau de connaissance et de services. Nous allons encore mettre au point des produits et des solutions toujours plus innovantes pour tous nos partenaires et clients à travers le monde.

Missão

Desenharemos, fabricaremos e forneceremos produtos da mais alta qualidade. Brindaremos o melhor nível de serviço e conhecimento possível. Continuaremos desenvolvendo produtos inovadores e soluções para nossos clientes e sócios no mundo todo.



 **Dosmatic**[®]
a Hydro Systems Brand

The Technology Leader In Fluid-Driven Proportional Injectors

www.dosmatic.com